

PRODUCT PROGRAM



TEV-JÄGER



Revolutionary high-pressure rotating point jet nozzles

Your innovation partner since 1989

Welcome to TEV Jäger GmbH – your innovation partner for ultra-modern rotating point high-pressure water jet nozzles! We have been shaping the world of high-pressure water technology since 1989 and are leaders in the development of these nozzles.

Our success story began with the pioneering invention of the first rotor nozzle by Anton Jäger, with revolutionary properties that were protected by a patent. We have continued to develop our nozzles, notably by optimising speed stabilisation for maximum removal rates.

TEV Jäger GmbH is known for its many years of experience, continuous innovation,

outstanding quality, excellent service and absolute customer satisfaction.

Our expertise covers everything from multi-functional nozzles to customised solutions that not only reduce water consumption but are also tailored to individual requirements.

Our corporate philosophy is based on experience, innovation, quality, service and customer satisfaction. We understand the challenges in the high-pressure water sector and offer customised solutions that meet the highest requirements. Our dedicated team continuously develops innovative products and integrates the latest technologies.



Carwash

Carwash



Plant engineering

**Plant
engineering**



Street cleaning

**Street
cleaning**



Construction industry

**Construction
industry**



Marine

Marine



Industrial cleaning

**Industrial
cleaning**



Facade cleaning

**Facade
cleaning**



Agriculture and forestry

**Agriculture
and forestry**



Sewer + pipe cleaning

**Sewer + pipe
cleaning**



CarWash

This catalogue presents our wide range of high-quality rotor nozzles for the car wash industry.

At TEV Jäger GmbH, quality, reliability and efficiency are our top priorities. Our rotor nozzles are specially developed to meet the demanding requirements of car washes and offer innovative solutions for effective and gentle cleaning of vehicles.

Our range includes a wide selection of rotor nozzles that guarantee optimum cleaning performance.

If you have any questions or require individual advice, please do not hesitate to contact us at any time. Your TEV Jäger GmbH Team.

Mehr Infos



RA05 -120



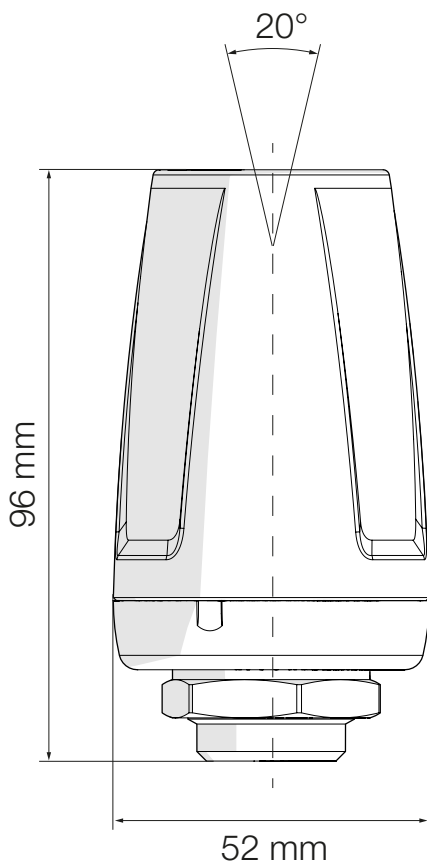
CarWash

150 bar

Special features

- ▶ Flexible mounting direction
- ▶ Resistant to dirt

More info



Technical data

Pressure max.:	150 bar
Spray angle:	20°
Temperature max.:	100 °C
Bearing:	Ceramics
Nozzle:	Ceramics
Nozzle size:	035-070
Flow rate max.:	19 l/min
Length / Diameter:	96 / Ø 52 mm
Weight:	0,3 kg
Connection thread:	G 1/4" IG

RA11-100



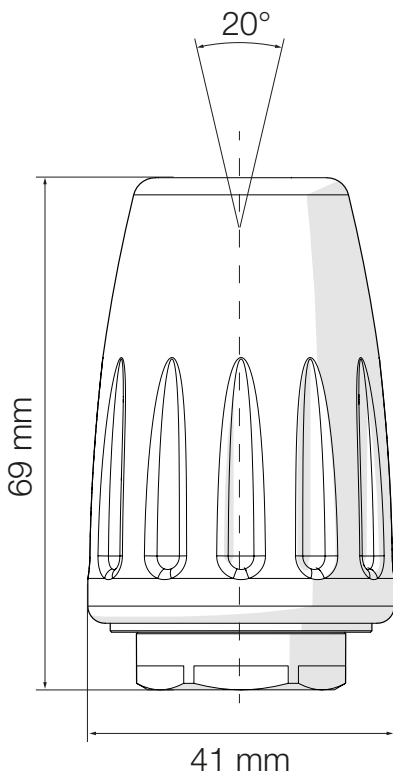
CarWash

210 bar

Special features

- Flexible mounting direction

More info



Technical data

Pressure max.:	210 bar
Spray angle:	20°
Temperature max.:	90 °C
Bearing:	Ceramics
Nozzle:	Ceramics
Nozzle size:	022-045
Flow rate max.:	15 l/min
Length / Diameter:	69 / Ø 41 mm
Weight:	0,2 kg
Connection thread:	G 1/4" IG

RA11-110



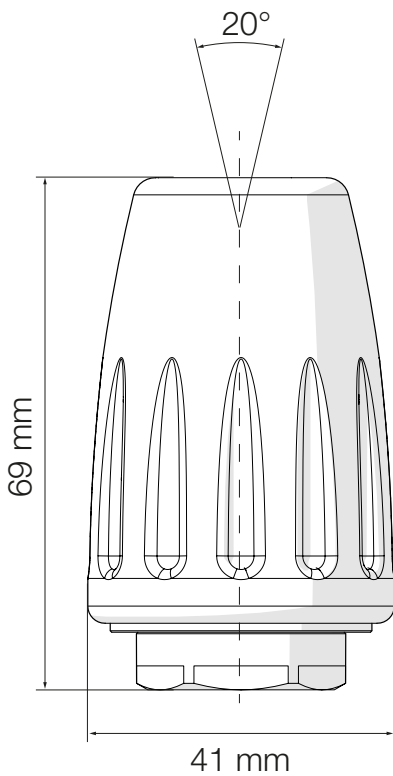
CarWash

210 bar

Special features

- ▶ Flexible mounting direction
- ▶ Resistant to dirt

More info



Technical data

Pressure max.:	210 bar
Spray angle:	20°
Temperature max.:	90 °C
Bearing:	Ceramics
Nozzle:	Ceramics
Nozzle size:	022-045
Flow rate max.:	15 l/min
Length / Diameter:	69 / Ø 41 mm
Weight:	0,2 kg
Connection thread:	G 1/4" IG

RA16-110



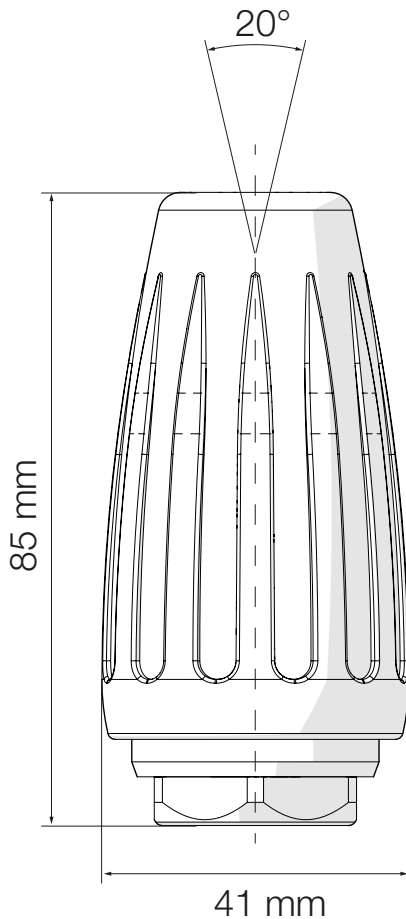
CarWash

255 bar

Special features

- ▶ Flexible mounting direction
- ▶ Resistant to dirt

More info



Technical data

Pressure max.:	255 bar
Spray angle:	20°
Temperature max.:	90 °C
Bearing:	Ceramics
Nozzle:	Ceramics
Nozzle size:	020-090
Flow rate max.:	33 l/min
Length / Diameter:	85 / Ø 41 mm
Weight:	0,3 kg
Connection thread:	G 1/4" IG

RA16-125



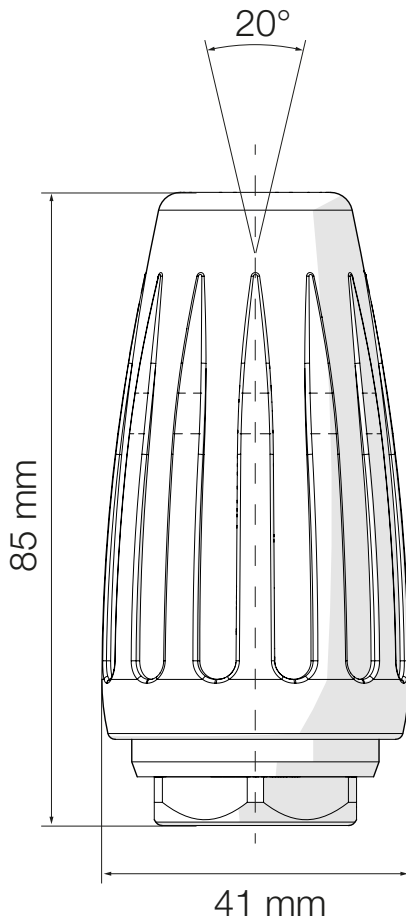
CarWash

255 bar

Special features

- Flexible mounting direction

More info



Technical data

Pressure max.:	255 bar
Spray angle:	20°
Temperature max.:	90 °C
Bearing:	Ceramics
Nozzle:	Ceramics
Nozzle size:	020-100
Flow rate max.:	36 l/min
Length / Diameter:	85 / Ø 41 mm
Weight:	0,3 kg
Connection thread:	G 1/4" IG

RA16-130



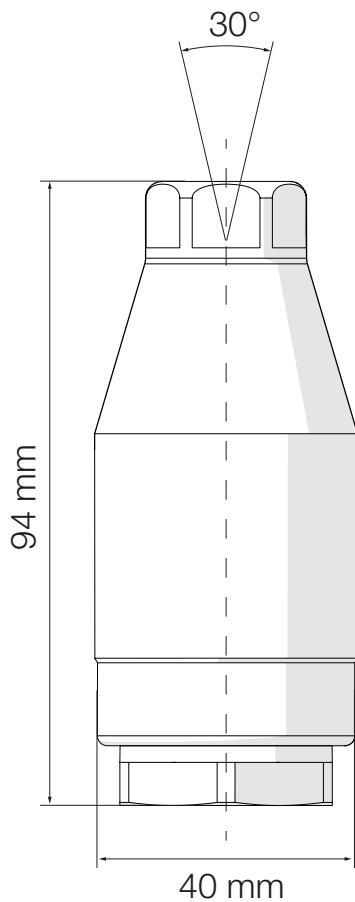
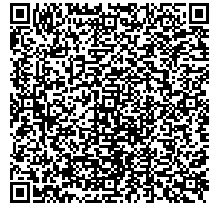
CarWash

255 bar

Special features

- Flexible mounting direction

More info



Technical data

Pressure max.:	255 bar
Spray angle:	30°
Temperature max.:	90 °C
Bearing:	Ceramics
Nozzle:	Ceramics
Nozzle size:	020-085
Flow rate max.:	31 l/min
Length / Diameter:	94 / Ø 40 mm
Weight:	0,5 kg
Connection thread:	G 1/4" IG

RA16-135



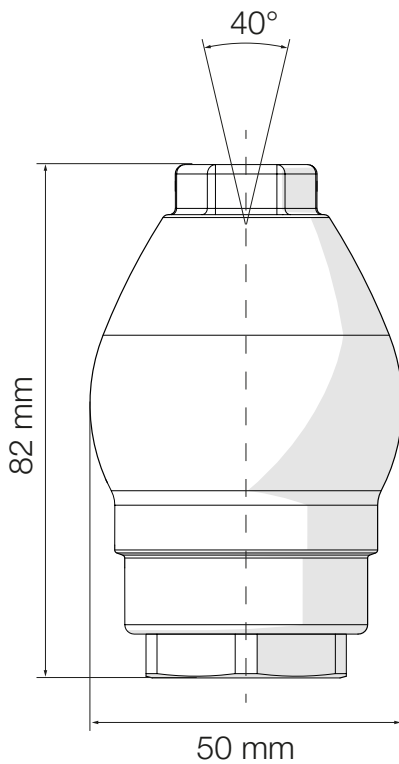
CarWash

255 bar

Special features

- Flexible mounting direction

More info



Technical data

Pressure max.:	255 bar
Spray angle:	40°
Temperature max.:	90 °C
Bearing:	Ceramics
Nozzle:	Ceramics
Nozzle size:	020-055
Flow rate max.:	20 l/min
Length / Diameter:	82 / Ø 50 mm
Weight:	0,5 kg
Connection thread:	G 1/4" IG

RA16-175



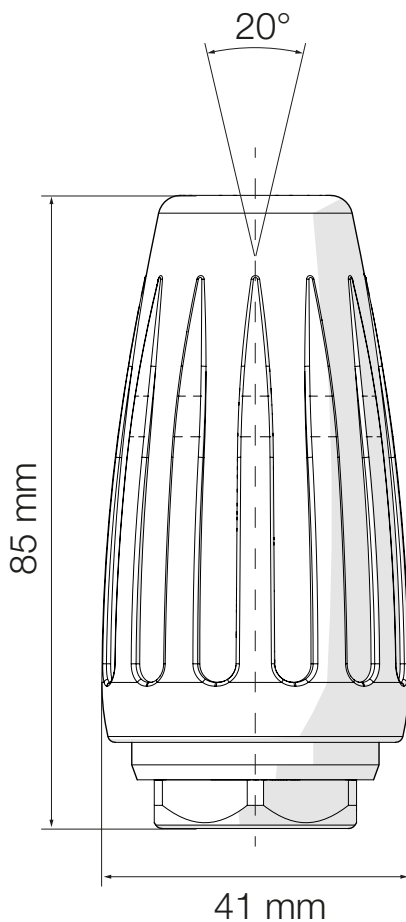
CarWash

255 bar

Special features

- Flexible mounting direction

More info



Technical data

Pressure max.:	255 bar
Spray angle:	24°
Temperature max.:	90 °C
Bearing:	Ceramics
Nozzle:	Ceramics
Nozzle size:	020-120
Flow rate max.:	44 l/min
Length / Diameter:	82 / Ø 50 mm
Weight:	0,5 kg
Connection thread:	G 1/4" IG



Plant engineering

This catalogue presents our high-quality rotor nozzles, specially designed for plant engineering.

TEV Jäger GmbH focusses on quality, reliability and efficiency. Our rotor nozzles have been developed to meet the high demands of plant engineering and offer innovative solutions for effective cleaning.

Discover our wide selection of rotor nozzles that guarantee optimum cleaning performance. If you have any questions or require individual advice, please do not hesitate to contact us at any time. Your TEV Jäger GmbH Team.

Mehr Infos



RA11-110



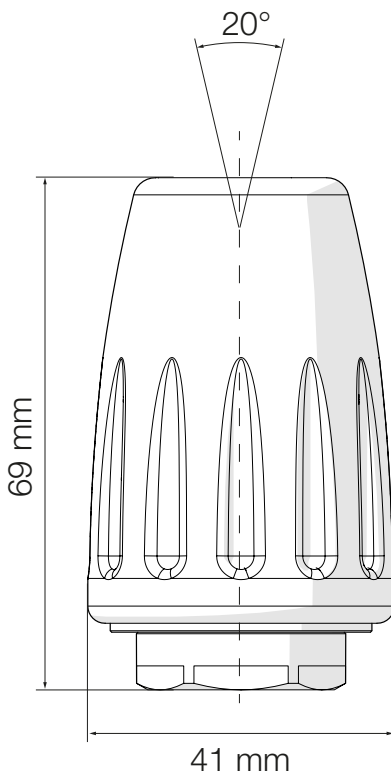
Plant engineering

210 bar

Special features

- ▶ Flexible mounting direction
- ▶ Resistant to dirt

More info



Technical data

Pressure max.:	210 bar
Spray angle:	20°
Temperature max.:	90 °C
Bearing:	Ceramics
Nozzle:	Ceramics
Nozzle size:	022-045
Flow rate max.:	15 l/min
Length / Diameter:	69 / Ø 41 mm
Weight:	0,2 kg
Connection thread:	G 1/4" IG

RA16-110



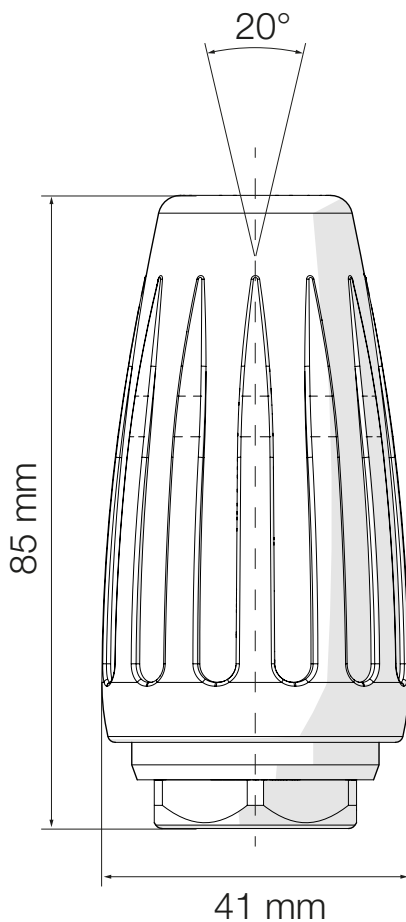
Plant engineering

255 bar

Special features

- ▶ Flexible mounting direction
- ▶ Resistant to dirt

More info



Technical data

Pressure max.:	255 bar
Spray angle:	20°
Temperature max.:	90 °C
Bearing:	Ceramics
Nozzle:	Ceramics
Nozzle size:	020-090
Flow rate max.:	33 l/min
Length / Diameter:	85 / Ø 41 mm
Weight:	0,3 kg
Connection thread:	G 1/4" IG

RA16-130



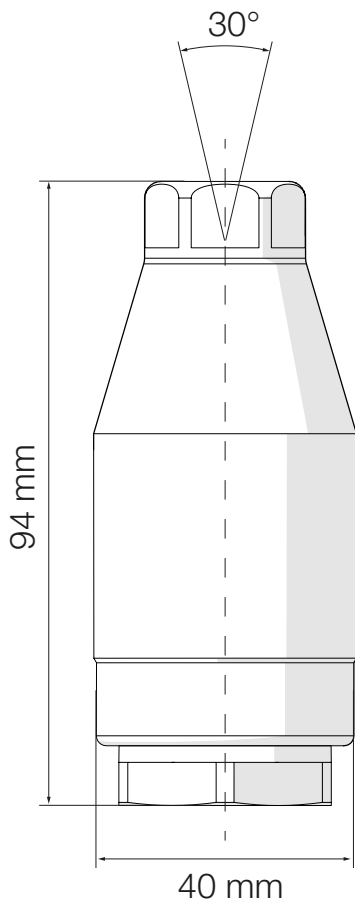
Plant engineering

255 bar

Special features

- Flexible mounting direction

More info



Technical data

Pressure max.:	255 bar
Spray angle:	30°
Temperature max.:	90 °C
Bearing:	Ceramics
Nozzle:	Ceramics
Nozzle size:	020-085
Flow rate max.:	31 l/min
Length / Diameter:	94 / Ø 40 mm
Weight:	0,5 kg
Connection thread:	G 1/4" IG

RA16-135



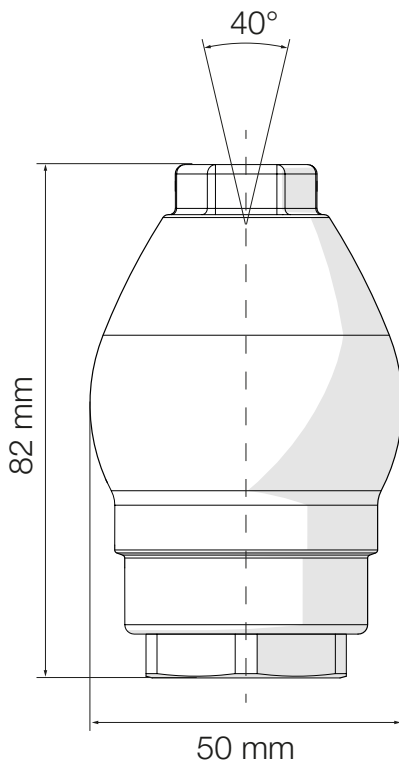
Plant engineering

255 bar

Special features

- Flexible mounting direction

More info



Technical data

Pressure max.:	255 bar
Spray angle:	40°
Temperature max.:	90 °C
Bearing:	Ceramics
Nozzle:	Ceramics
Nozzle size:	020-055
Flow rate max.:	20 l/min
Length / Diameter:	82 / Ø 50 mm
Weight:	0,5 kg
Connection thread:	G 1/4" IG

RA16-175



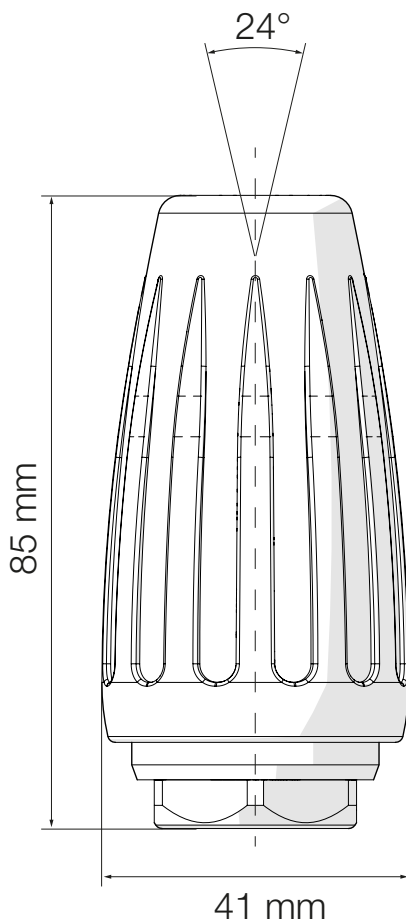
Plant engineering

255 bar

Special features

- Flexible mounting direction

More info



Technical data

Pressure max.:	255 bar
Spray angle:	24°
Temperature max.:	90 °C
Bearing:	Ceramics
Nozzle:	Ceramics
Nozzle size:	020 - 090
Flow rate max.:	33 l/min
Length / Diameter:	85 / Ø 41 mm
Weight:	0,3 kg
Connection thread:	G 1/4" IG

RA16-140



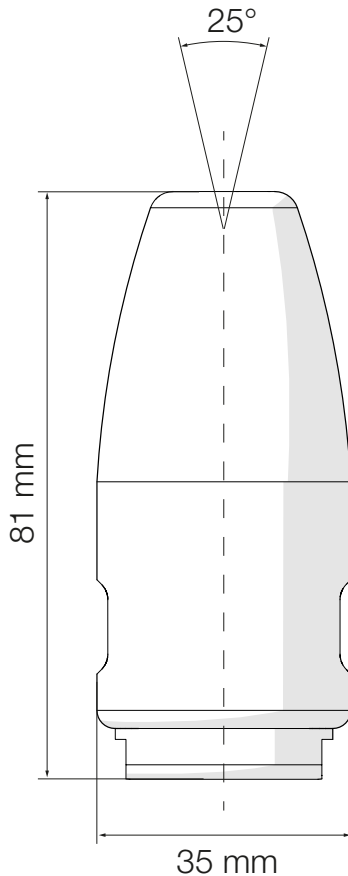
Plant engineering

255 bar

Special features

- Flexible mounting direction

More info



Technical data

Pressure max.:	255 bar
Spray angle:	25°
Temperature max.:	90 °C
Bearing:	Ceramics
Nozzle:	Ceramics
Nozzle size:	020 - 120
Flow rate max.:	44 l/min
Length / Diameter:	81 / Ø 35 mm
Weight:	0,3 kg
Connection thread:	G 1/4" IG

RA21-100

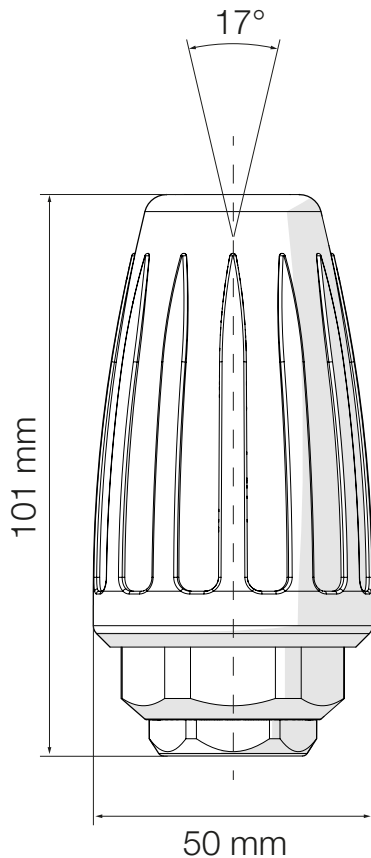


Plant engineering

310 bar

Special features

More info



Technical data

Pressure max.:	310 bar
Spray angle:	17°
Temperature max.:	90 °C
Bearing:	Ceramics
Nozzle:	Ceramics
Nozzle size:	020 - 060
Flow rate max.:	24 l/min
Length / Diameter:	101 / Ø 50 mm
Weight:	0,45 kg
Connection thread:	G 1/4" IG

RA30-100

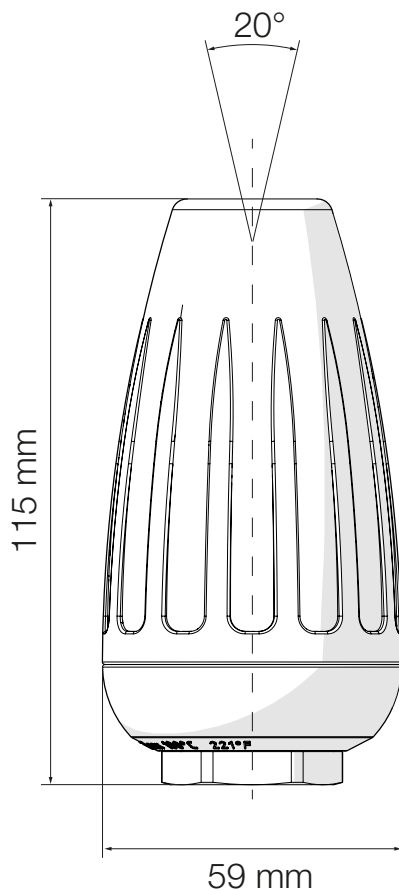


Plant engineering

400 bar

Special features

More info



Technical data

Pressure max.:	400 bar
Spray angle:	20°
Temperature max.:	90 °C
Bearing:	Ceramics
Nozzle:	Ceramics
Nozzle size:	020 - 200
Flow rate max.:	86 l/min
Length / Diameter:	115 / Ø 59 mm
Weight:	0,75 kg
Connection thread:	G 1/4" IG

RA30-110

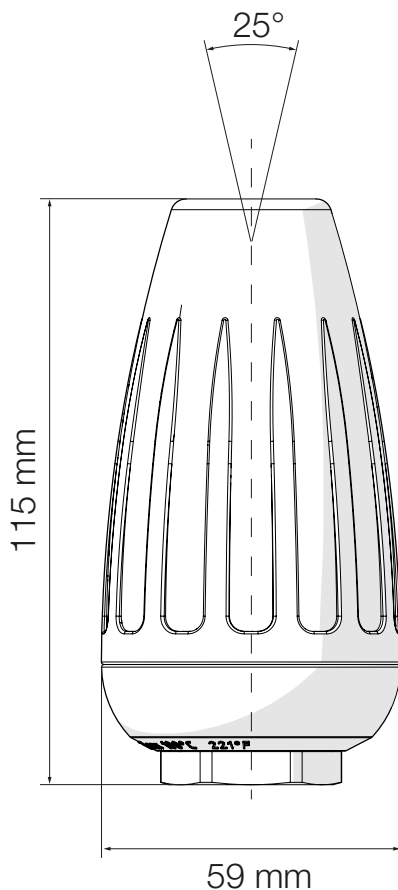


Plant engineering

400 bar

Special features

More info



Technical data

Pressure max.:	400 bar
Spray angle:	25°
Temperature max.:	90 °C
Bearing:	Ceramics
Nozzle:	Ceramics
Nozzle size:	020-200
Flow rate max.:	92 l/min
Length / Diameter:	115 / Ø 59 mm
Weight:	0,75 kg
Connection thread:	G 1/4" IG

RA30-115



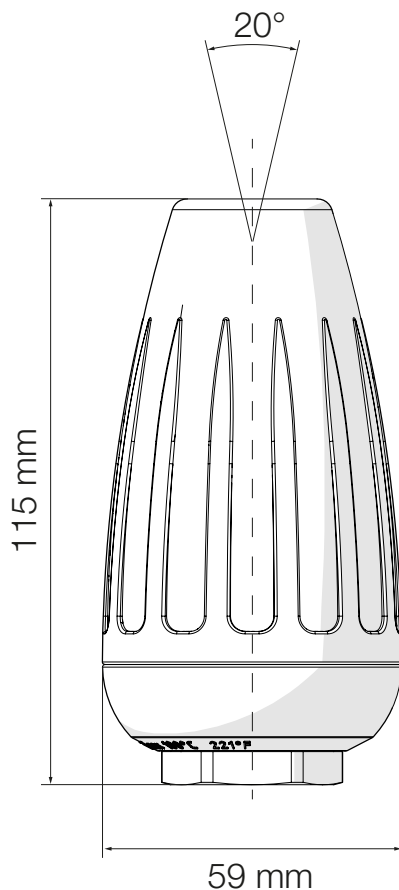
Plant engineering

400 bar

Special features

- Higher material removal rate

More info



Technical data

Pressure max.:	400 bar
Spray angle:	20°
Temperature max.:	90 °C
Bearing:	Ceramics
Nozzle:	Ceramics
Nozzle size:	020 - 060
Flow rate max.:	26 l/min
Length / Diameter:	115 / Ø 59 mm
Weight:	0,75 kg
Connection thread:	G 1/4" IG

RA30-120

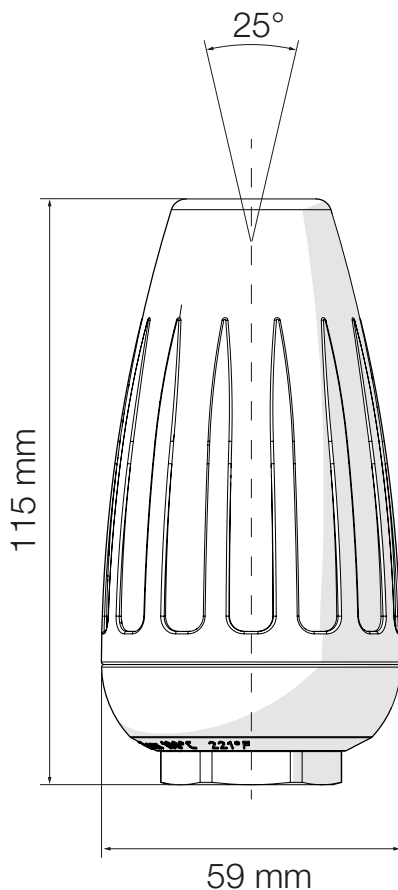


Plant engineering

400 bar

Special features

More info



Technical data

Pressure max.:	400 bar
Spray angle:	25°
Temperature max.:	150 °C
Bearing:	Ceramics
Nozzle:	Ceramics
Nozzle size:	020 - 200
Flow rate max.:	86 l/min
Length / Diameter:	115 / Ø 59 mm
Weight:	0,75 kg
Connection thread:	G 1/4" IG

RA30-155



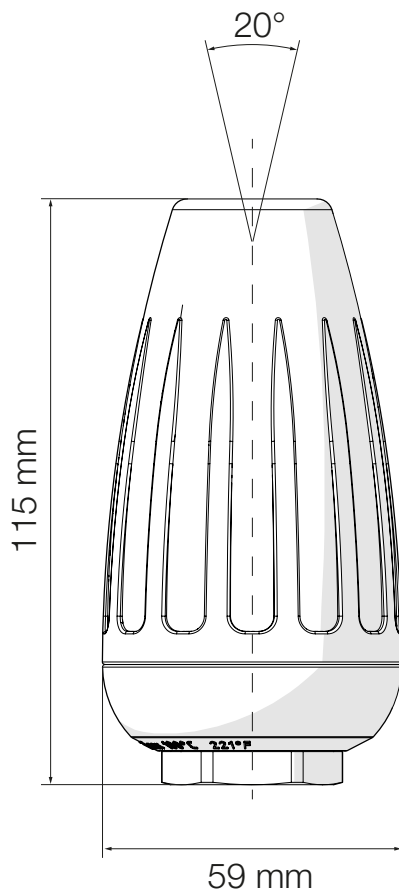
Plant engineering

400 bar

Special features

- ▶ Flexible mounting direction
- ▶ Resistant to dirt

More info



Technical data

Pressure max.:	400 bar
Spray angle:	20°
Temperature max.:	90 °C
Bearing:	Ceramics
Nozzle:	Ceramics
Nozzle size:	035
Flow rate max.:	16 l/min
Length / Diameter:	115 / Ø 59 mm
Weight:	0,75 kg
Connection thread:	G 1/4" IG

RB35-165



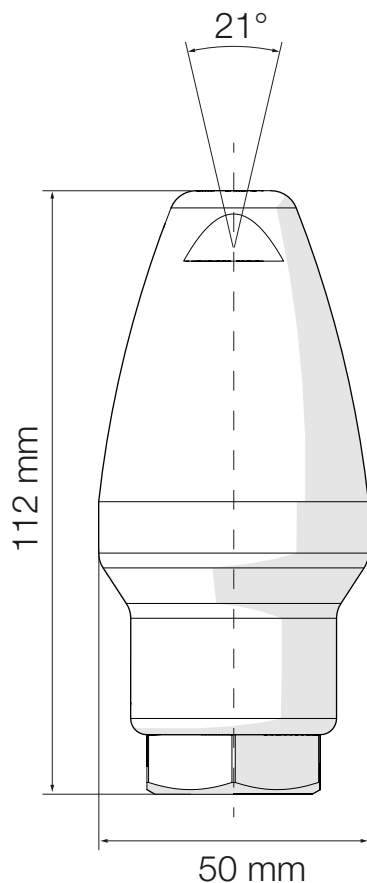
Plant engineering

600 bar

Special features

- ▶ Flexible mounting direction
- ▶ Resistant to dirt

More info



Technical data

Pressure max.:	600 bar
Spray angle:	21°
Temperature max.:	150 °C
Bearing:	Tungsten carbide
Nozzle:	Tungsten carbide
Nozzle size:	020-075
Flow rate max.:	42 l/min
Length / Diameter:	112 / Ø 50 mm
Weight:	0,7 kg
Connection thread:	G 1/4" IG

RB45-125



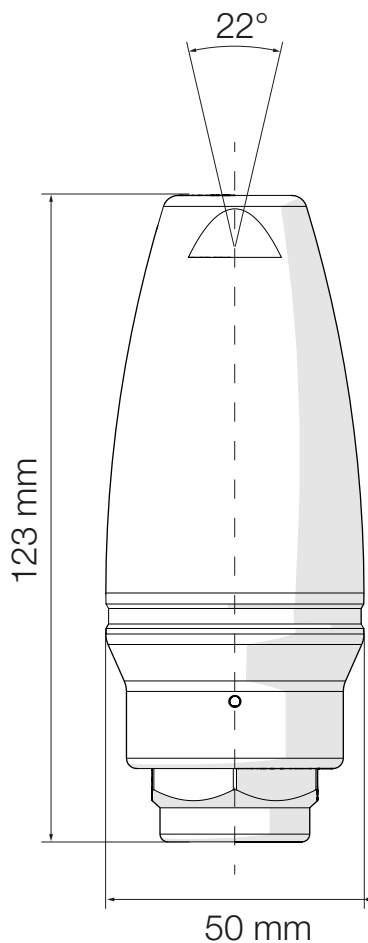
Plant engineering

800 bar

Special features

- ▶ Flexible mounting direction
- ▶ Resistant to dirt
- ▶ More security with soft start

More info



Technical data

Pressure max.:	800 bar
Spray angle:	22°
Temperature max.:	150 °C
Bearing:	Tungsten carbide
Nozzle:	Tungsten carbide
Nozzle size:	020 - 120
Flow rate max.:	72 l/min
Length / Diameter:	123 / Ø 50 mm
Weight:	1,0 kg
Connection thread:	G 1/4" IG



Street cleaning

Our range includes a wide selection of high-quality nozzles for street cleaning, including rotor nozzles, pendulum nozzles, multi-nozzles and poly nozzles.

TEV Jäger GmbH values quality, reliability and efficiency. Our nozzles are designed to meet the demanding requirements of street cleaning.

Discover a wide range of nozzle options in our catalogue that offer optimum cleaning

performance and are also tailored to the specific needs of road cleaning.

If you have any questions or require individual advice, please do not hesitate to contact us at any time. Your TEV Jäger GmbH Team.

Mehr Infos



RC04-100

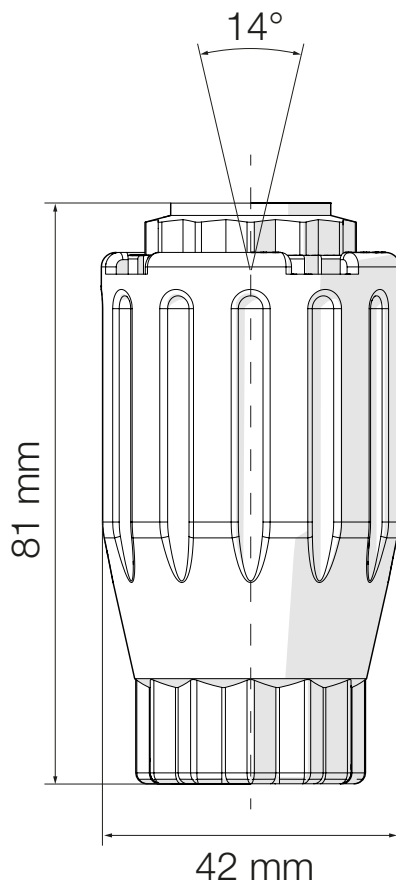


Street cleaning

130 bar

Special features

More info



Technical data

Pressure max.:	130 bar
Spray angle:	14°
Temperature max.:	40 °C
Bearing:	Ceramics
Nozzle:	Ceramics
Nozzle size:	025-045
Flow rate max.:	12 l/min
Length / Diameter:	81 / Ø 42 mm
Weight:	0,2 kg
Connection thread:	G 1/4" IG

RC04-105

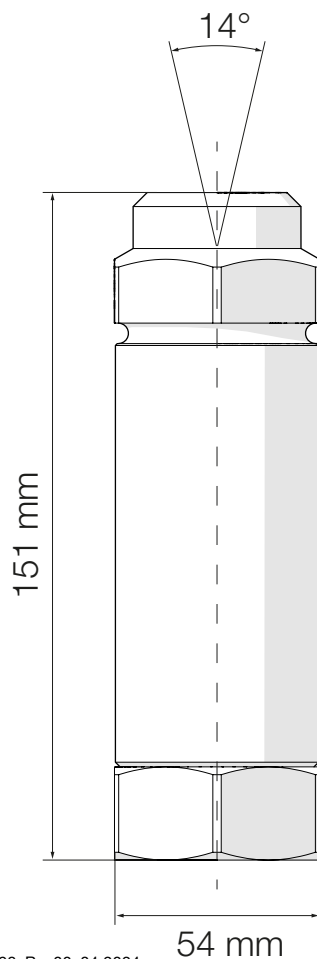


Street cleaning

130 bar

Special features

More info



Technical data

Pressure max.:	130 bar
Spray angle:	14°
Temperature max.:	40 °C
Bearing:	Kunststoff
Nozzle:	Messing
Nozzle size:	035-045
Flow rate max.:	11 l/min
Length / Diameter:	72 / Ø 25 mm
Weight:	0,2 kg
Connection thread:	G 1/4" IG

RA05-115

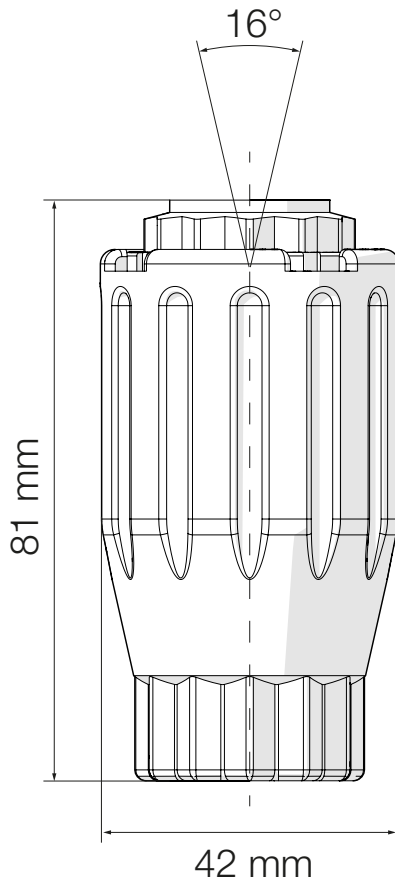


Street cleaning

150 bar

Special features

More info



Technical data

Pressure max.:	150 bar
Spray angle:	16°
Temperature max.:	90 °C
Bearing:	Ceramics
Nozzle:	Ceramics
Nozzle size:	025-045
Flow rate max.:	12 l/min
Length / Diameter:	81 / Ø 42 mm
Weight:	0,2 kg
Connection thread:	G 1/4" IG

RA05-120



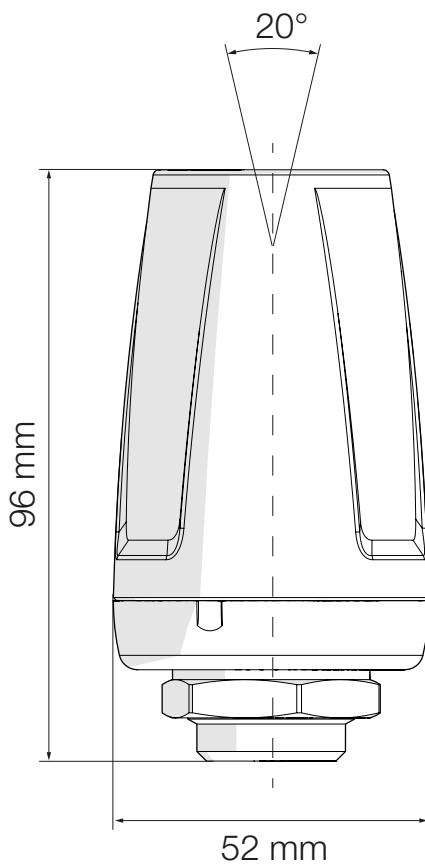
Street cleaning

150 bar

Special features

- ▶ Flexible mounting direction
- ▶ Resistant to dirt

More info



Technical data

Pressure max.:	150 bar
Spray angle:	20°
Temperature max.:	100 °C
Bearing:	Ceramics
Nozzle:	Ceramics
Nozzle size:	035-070
Flow rate max.:	19 l/min
Length / Diameter:	96 / Ø 52 mm
Weight:	0,3 kg
Connection thread:	G 1/4" IG

RA11-100



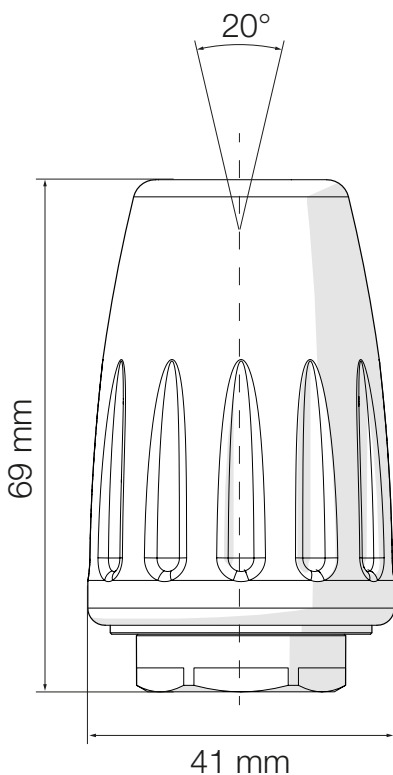
Street cleaning

210 bar

Special features

- Flexible mounting direction

More info



Technical data

Pressure max.:	210 bar
Spray angle:	20°
Temperature max.:	90 °C
Bearing:	Ceramics
Nozzle:	Ceramics
Nozzle size:	022-045
Flow rate max.:	15 l/min
Length / Diameter:	69 / Ø 41 mm
Weight:	0,2 kg
Connection thread:	G 1/4" IG

RA11-110



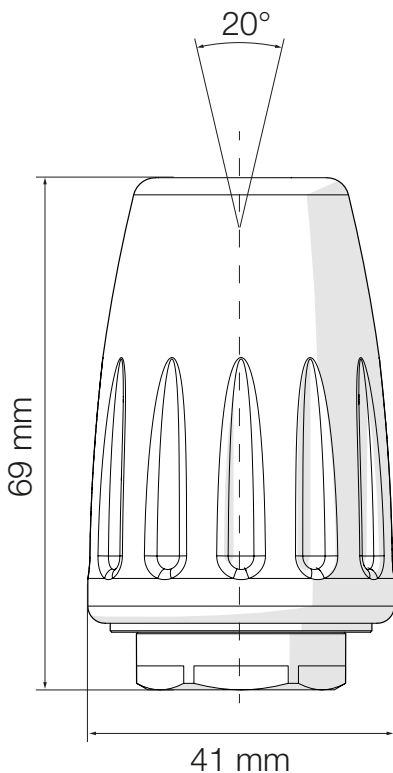
Street cleaning

210 bar

Special features

- ▶ Flexible mounting direction
- ▶ Resistant to dirt

More info



Technical data

Pressure max.:	210 bar
Spray angle:	20°
Temperature max.:	90 °C
Bearing:	Ceramics
Nozzle:	Ceramics
Nozzle size:	022-045
Flow rate max.:	15 l/min
Length / Diameter:	69 / Ø 41 mm
Weight:	0,2 kg
Connection thread:	G 1/4" IG

RA16-100

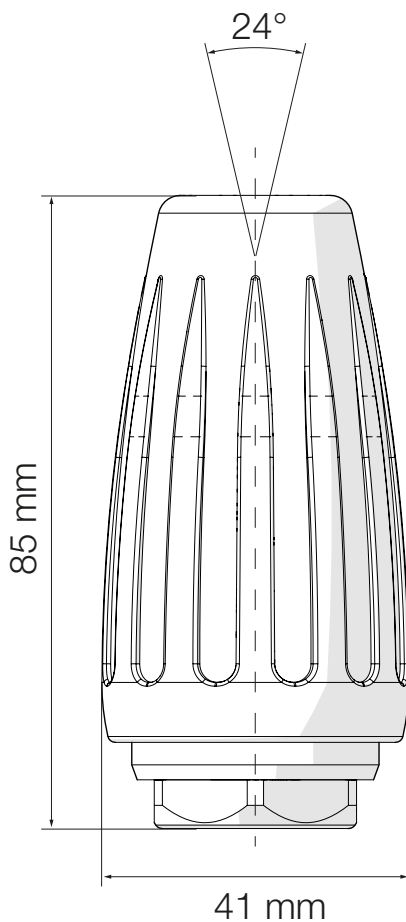


Street cleaning

255 bar

Special features

More info



Technical data

Pressure max.:	255 bar
Spray angle:	24°
Temperature max.:	90 °C
Bearing:	Ceramics
Nozzle:	Ceramics
Nozzle size:	020-120
Flow rate max.:	44 l/min
Length / Diameter:	85 / Ø 41 mm
Weight:	0,3 kg
Connection thread:	G 1/4" IG

RA16-115



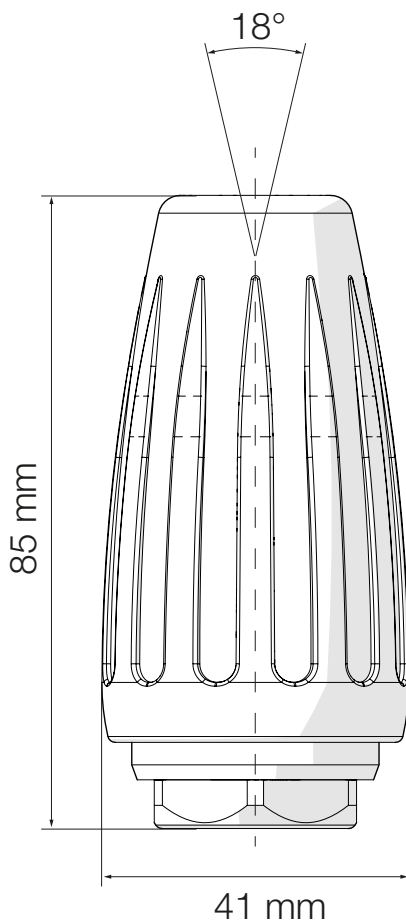
Street cleaning

255 bar

Special features

- Flexible mounting direction

More info



Technical data

Pressure max.:	255 bar
Spray angle:	18°
Temperature max.:	90 °C
Bearing:	Ceramics
Nozzle:	Ceramics
Nozzle size:	020-110
Flow rate max.:	40 l/min
Length / Diameter:	85 / Ø 41 mm
Weight:	0,3 kg
Connection thread:	G 1/4" IG

RA16-125



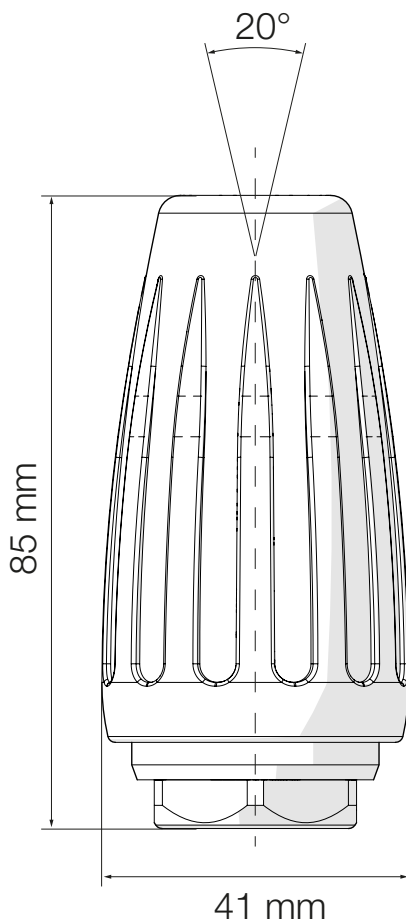
Street cleaning

255 bar

Special features

- Flexible mounting direction

More info



Technical data

Pressure max.:	255 bar
Spray angle:	20°
Temperature max.:	90 °C
Bearing:	Ceramics
Nozzle:	Ceramics
Nozzle size:	020-100
Flow rate max.:	36 l/min
Length / Diameter:	85 / Ø 41 mm
Weight:	0,3 kg
Connection thread:	G 1/4" IG

RA16-130



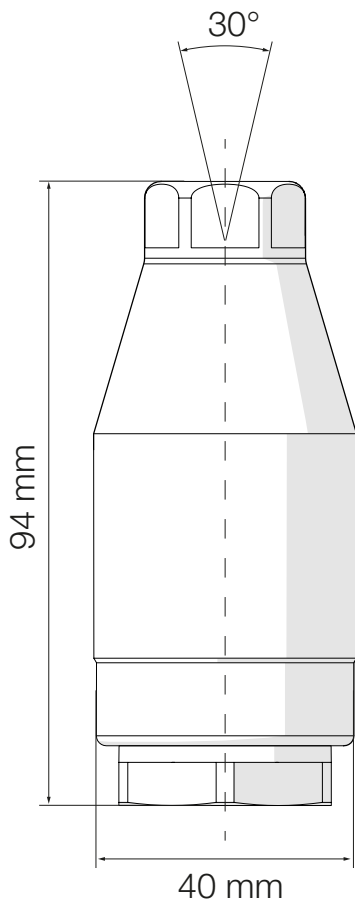
Street cleaning

255 bar

Special features

- Flexible mounting direction

More info



Technical data

Pressure max.:	255 bar
Spray angle:	30°
Temperature max.:	90 °C
Bearing:	Ceramics
Nozzle:	Ceramics
Nozzle size:	020-085
Flow rate max.:	31 l/min
Length / Diameter:	94 / Ø 40 mm
Weight:	0,5 kg
Connection thread:	G 1/4" IG

RA16-135



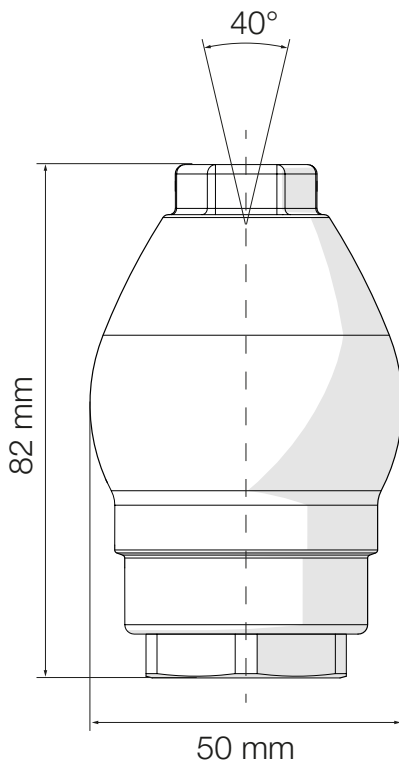
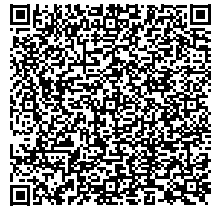
Street cleaning

255 bar

Special features

- Flexible mounting direction

More info



Technical data

Pressure max.:	255 bar
Spray angle:	40°
Temperature max.:	90 °C
Bearing:	Ceramics
Nozzle:	Ceramics
Nozzle size:	020-055
Flow rate max.:	20 l/min
Length / Diameter:	82 / Ø 50 mm
Weight:	0,5 kg
Connection thread:	G 1/4" IG

RA16-140



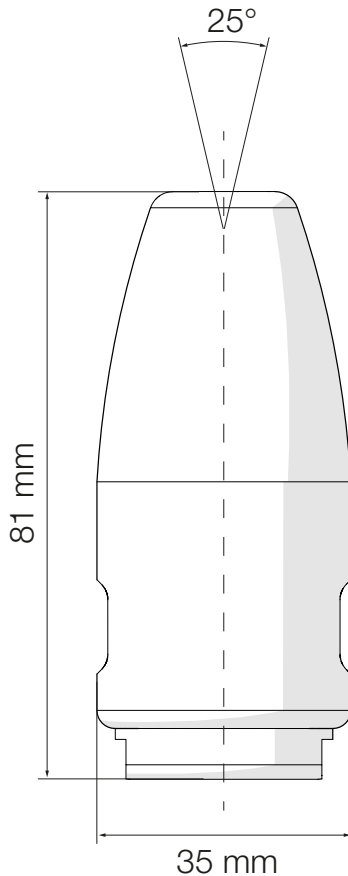
Street cleaning

255 bar

Special features

- Flexible mounting direction

More info



Technical data

Pressure max.:	255 bar
Spray angle:	25°
Temperature max.:	90 °C
Bearing:	Ceramics
Nozzle:	Ceramics
Nozzle size:	020 - 120
Flow rate max.:	44 l/min
Length / Diameter:	81 / Ø 35 mm
Weight:	0,3 kg
Connection thread:	G 1/4" IG

RA16-175



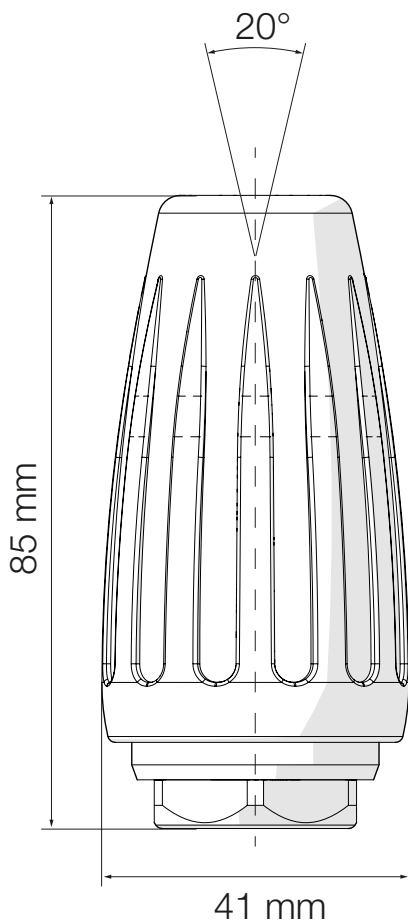
Street cleaning

255 bar

Special features

- Flexible mounting direction

More info



Technical data

Pressure max.:	255 bar
Spray angle:	24°
Temperature max.:	90 °C
Bearing:	Ceramics
Nozzle:	Ceramics
Nozzle size:	020-120
Flow rate max.:	44 l/min
Length / Diameter:	82 / Ø 50 mm
Weight:	0,5 kg
Connection thread:	G 1/4" IG

RA16-220

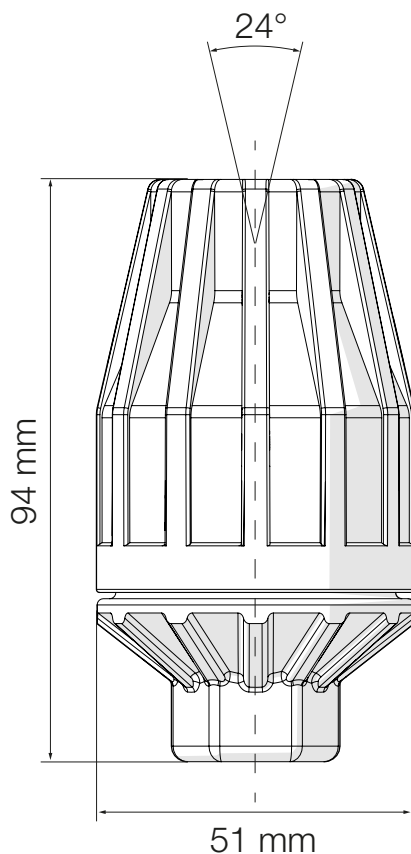


Street cleaning

255 bar

Special features

More info



Technical data

Pressure max.:	255 bar
Spray angle:	20°
Temperature max.:	90 °C
Bearing:	Ceramics
Nozzle:	Ceramics
Nozzle size:	040-110
Flow rate max.:	40 l/min
Length / Diameter:	94 / Ø 51 mm
Weight:	0,5 kg
Connection thread:	G 1/4" IG

RA18-100



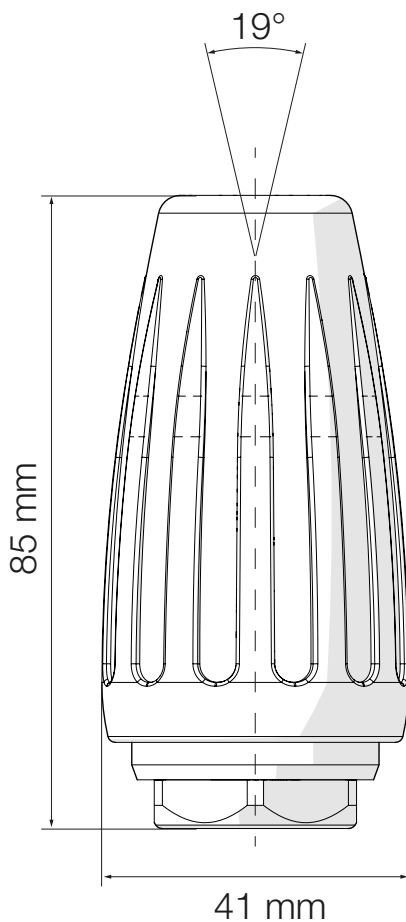
Street cleaning

280 bar

Special features

- ▶ Flexible mounting direction
- ▶ Resistant to dirt

More info



Technical data

Pressure max.:	280 bar
Spray angle:	19°
Temperature max.:	90 °C
Bearing:	Ceramics
Nozzle:	Ceramics
Nozzle size:	025-085
Flow rate max.:	32 l/min
Length / Diameter:	85 / Ø 41 mm
Weight:	0,3 kg
Connection thread:	G 1/4" IG

RA21-100

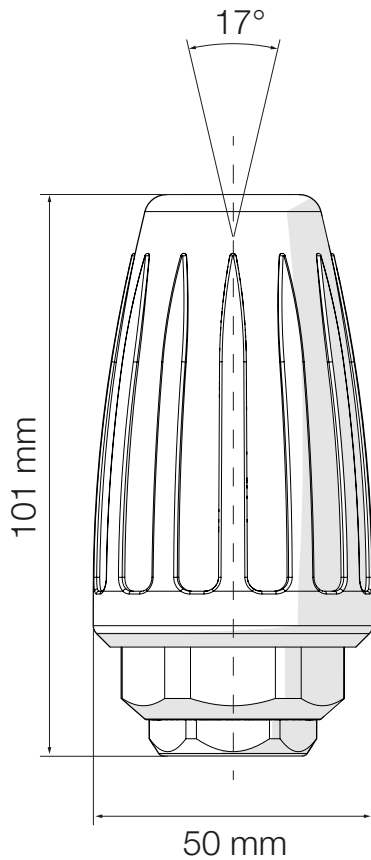


Street cleaning

310 bar

Special features

More info



Technical data

Pressure max.:	310 bar
Spray angle:	17°
Temperature max.:	90 °C
Bearing:	Ceramics
Nozzle:	Ceramics
Nozzle size:	020 - 060
Flow rate max.:	24 l/min
Length / Diameter:	101 / Ø 50 mm
Weight:	0,5 kg
Connection thread:	G 1/4" IG

RA30-100

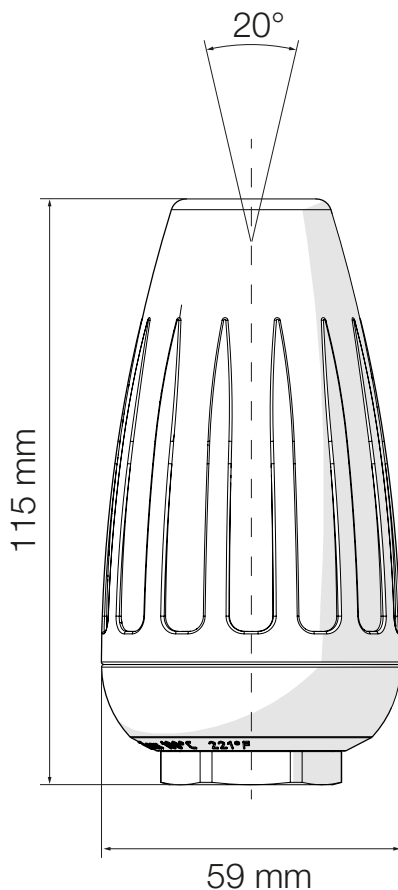


Street cleaning

400 bar

Special features

More info



Technical data

Pressure max.:	400 bar
Spray angle:	20°
Temperature max.:	90 °C
Bearing:	Ceramics
Nozzle:	Ceramics
Nozzle size:	020 - 200
Flow rate max.:	86 l/min
Length / Diameter:	115 / Ø 59 mm
Weight:	0,8 kg
Connection thread:	G 1/4" IG

RA30-110

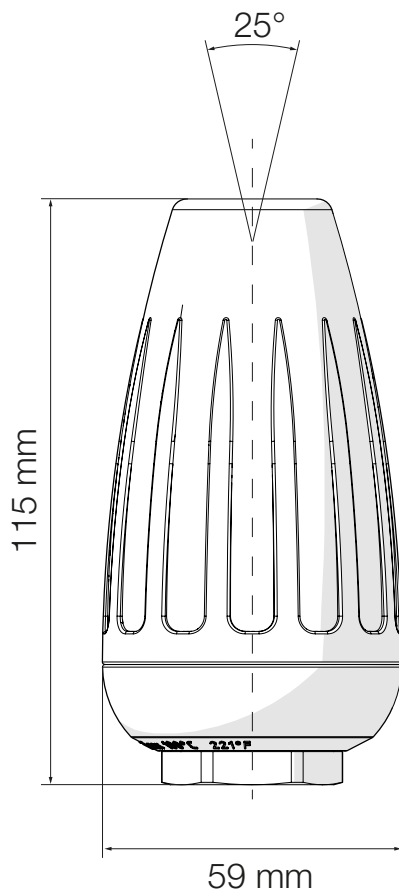


Street cleaning

400 bar

Special features

More info



Technical data

Pressure max.:	400 bar
Spray angle:	25°
Temperature max.:	90 °C
Bearing:	Ceramics
Nozzle:	Ceramics
Nozzle size:	020-200
Flow rate max.:	92 l/min
Length / Diameter:	115 / Ø 59 mm
Weight:	0,8 kg
Connection thread:	G 1/4" IG

RA30-115



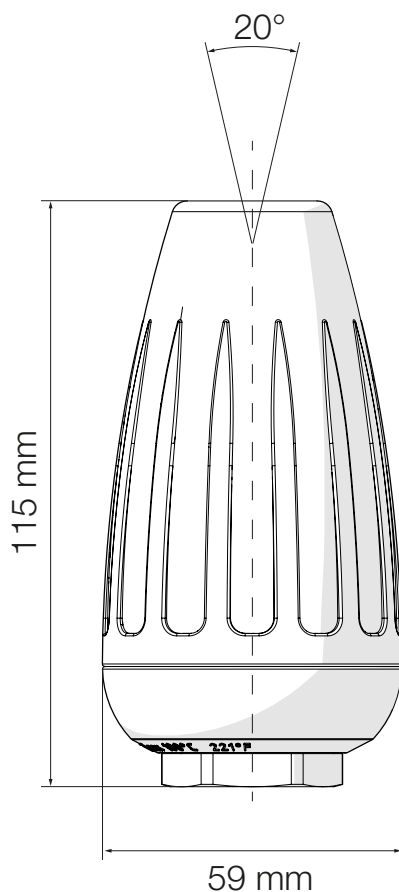
Street cleaning

400 bar

Special features

- Higher material removal rate

More info



Technical data

Pressure max.:	400 bar
Spray angle:	20°
Temperature max.:	90 °C
Bearing:	Ceramics
Nozzle:	Ceramics
Nozzle size:	020 - 060
Flow rate max.:	26 l/min
Length / Diameter:	115 / Ø 59 mm
Weight:	0,8 kg
Connection thread:	G 1/4" IG

RA30-120

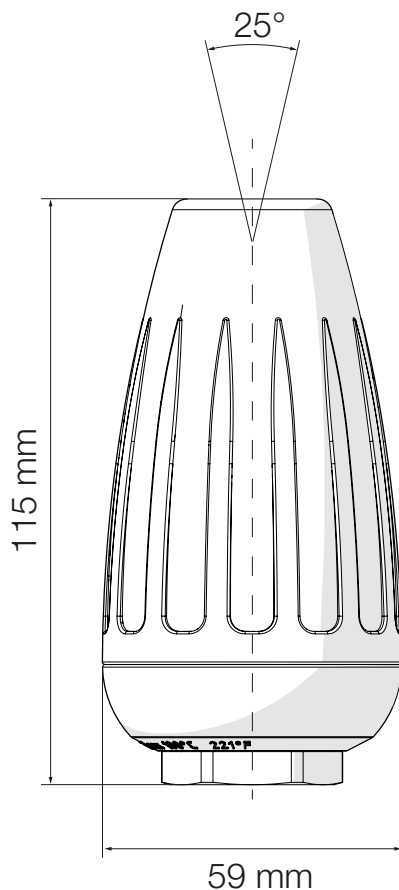


Street cleaning

400 bar

Special features

More info



Technical data

Pressure max.:	400 bar
Spray angle:	25°
Temperature max.:	150 °C
Bearing:	Ceramics
Nozzle:	Ceramics
Nozzle size:	020 - 200
Flow rate max.:	86 l/min
Length / Diameter:	115 / Ø 59 mm
Weight:	0,8 kg
Connection thread:	G 1/4" IG

PA16-160

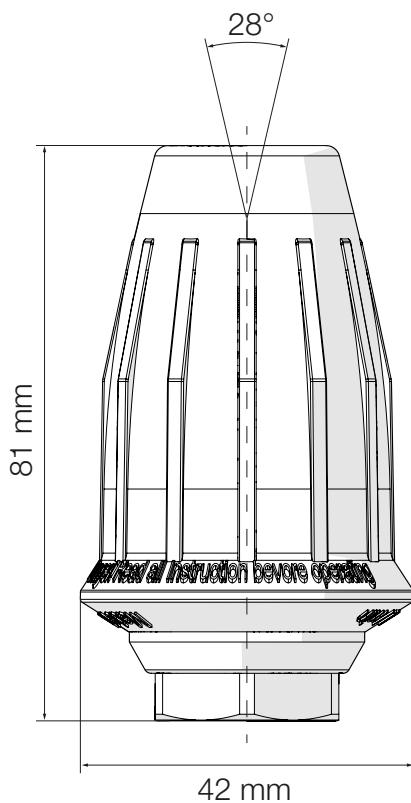


Street cleaning

255 bar

Special features

More info



Technical data

Pressure max.:	255 bar
Spray angle:	28°
Temperature max.:	90 °C
Bearing:	Ceramics
Nozzle:	Ceramics
Nozzle size:	025-055
Flow rate max.:	20 l/min
Length / Diameter:	85 / Ø 49 mm
Weight:	0,3 kg
Connection thread:	G 1/4" IG

PA16-170

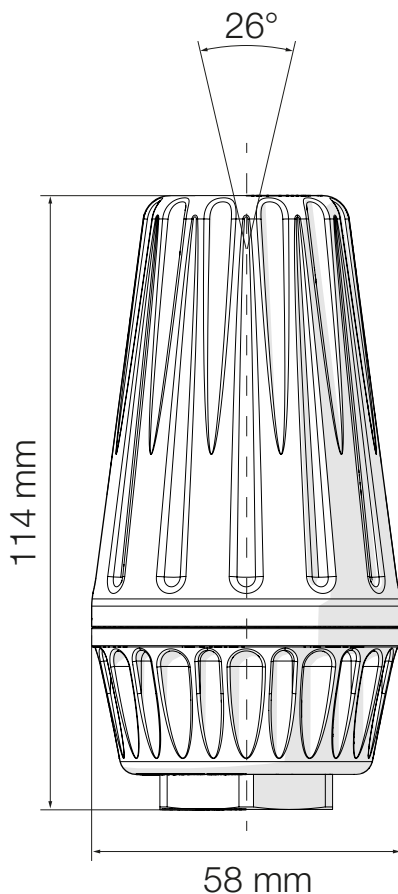


Street cleaning

255 bar

Special features

More info



Technical data

Pressure max.:	255 bar
Spray angle:	26°
Temperature max.:	90 °C
Bearing:	Ceramics
Nozzle:	Ceramics
Nozzle size:	020-070
Flow rate max.:	25 l/min
Length / Diameter:	114 / Ø 58 mm
Weight:	0,8 kg
Connection thread:	G 1/4" IG

MA16-165



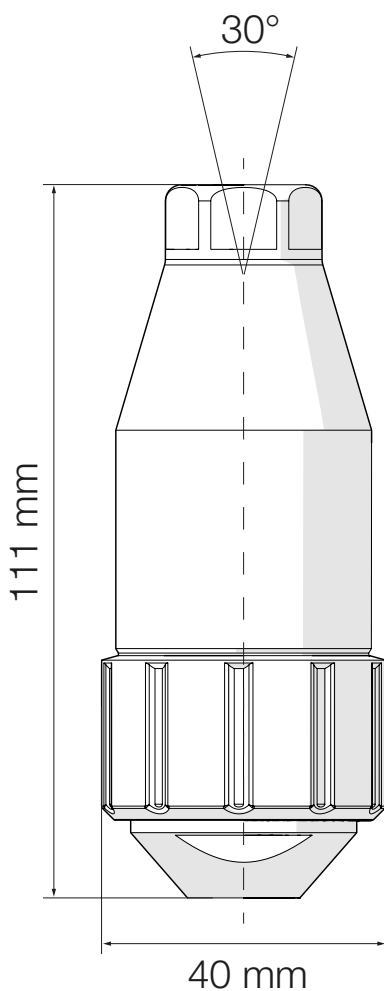
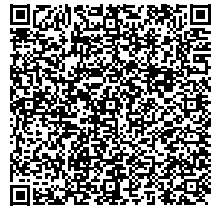
Street cleaning

255 bar

Special features

- ▶ Speed control

More info



Technical data

Pressure max.:	255 bar
Spray angle:	30°
Temperature max.:	90 °C
Bearing:	Ceramics
Nozzle:	Ceramics
Nozzle size:	020-060
Flow rate max.:	22 l/min
Length / Diameter:	111 / Ø 40 mm
Weight:	0,6 kg
Connection thread:	G 1/4" IG

MA16-240



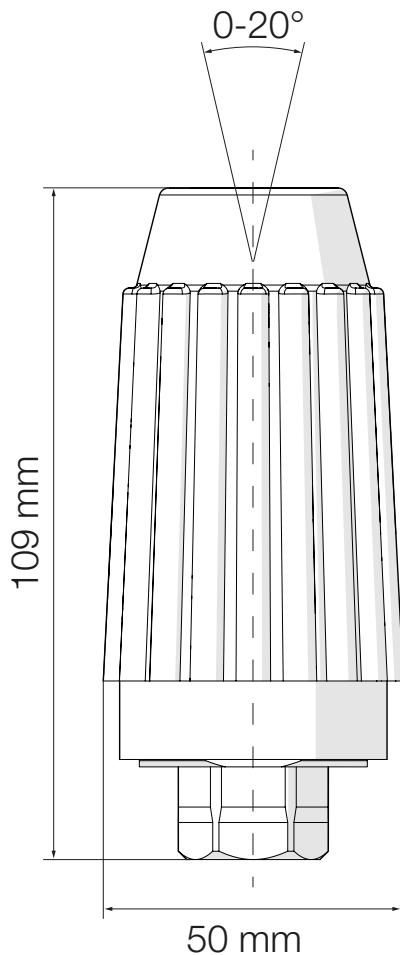
Street cleaning

255 bar

Special features

- Spray angle adjustment

More info



Technical data

Pressure max.:	255 bar
Spray angle:	0-20°
Temperature max.:	100 °C
Bearing:	Ceramics
Nozzle:	Ceramics
Nozzle size:	020-180
Flow rate max.:	65 l/min
Length / Diameter:	109 / Ø 50 mm
Weight:	0,5 kg
Connection thread:	G 1/4" IG

MA30-125



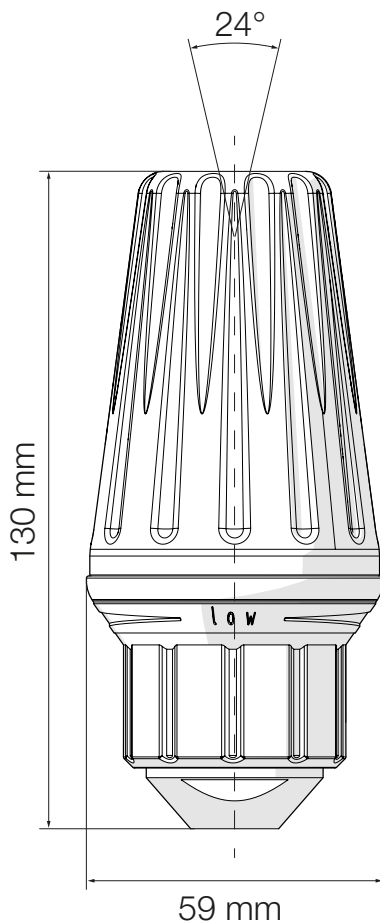
Street cleaning

400 bar

Special features

- ▶ Speed control

More info



Technical data

Pressure max.:	400 bar
Spray angle:	24°
Temperature max.:	150 °C
Bearing:	Ceramics
Nozzle:	Ceramics
Nozzle size:	020-100
Flow rate max.:	45 l/min
Length / Diameter:	130 / Ø 59 mm
Weight:	0,8 kg
Connection thread:	G 1/4" IG

SA25-105



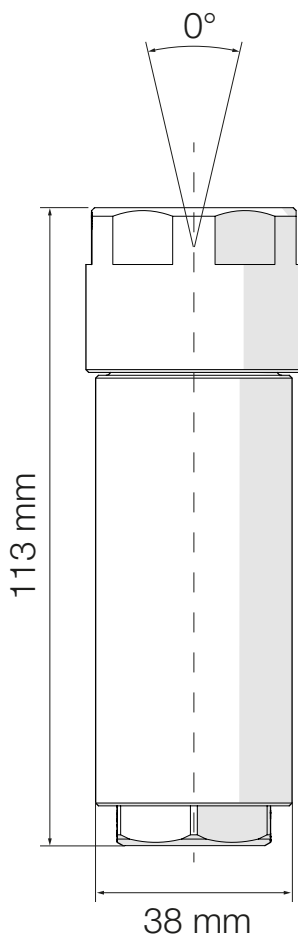
Street cleaning

350 bar

Special features

- Flexible mounting direction

More info



Technical data

Pressure max.:	350 bar
Spray angle:	0°
Temperature max.:	95 °C
Bearing:	-
Nozzle:	Ceramics
Nozzle size:	020 - 080
Flow rate max.:	34 l/min
Length / Diameter:	113 / Ø 38 mm
Weight:	0,7 kg
Connection thread:	G 1/4" IG



Construction industry

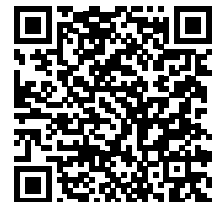
This catalogue presents our high-quality rotor nozzles, specially designed for the construction industry.

TEV Jäger GmbH focusses on quality, reliability and efficiency. Our rotor nozzles have been designed to meet the high demands of the construction industry and offer innovative solutions for effective cleaning.

Discover our wide selection of rotor nozzles that guarantee optimum cleaning performance.

If you have any questions or require individual advice, please do not hesitate to contact us at any time. Your TEV Jäger GmbH Team.

Mehr Infos



RA16-100

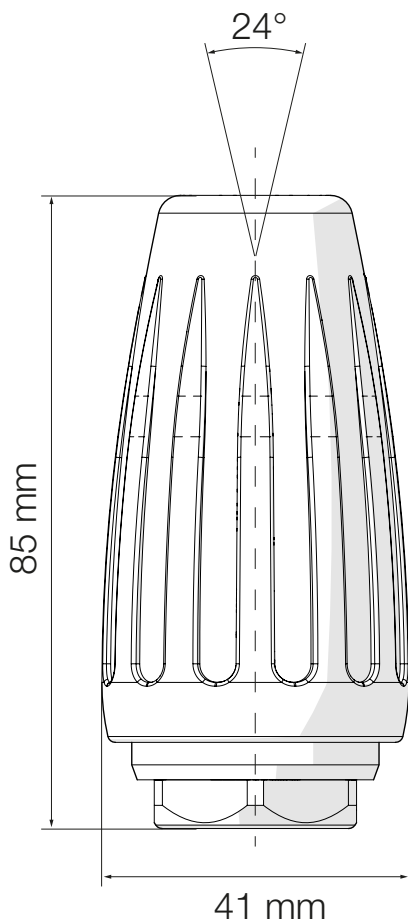


Construction industry

255 bar

Special features

More info



Technical data

Pressure max.:	255 bar
Spray angle:	24°
Temperature max.:	90 °C
Bearing:	Ceramics
Nozzle:	Ceramics
Nozzle size:	020-120
Flow rate max.:	44 l/min
Length / Diameter:	85 / Ø 41 mm
Weight:	0,3 kg
Connection thread:	G 1/4" IG

RA16-115



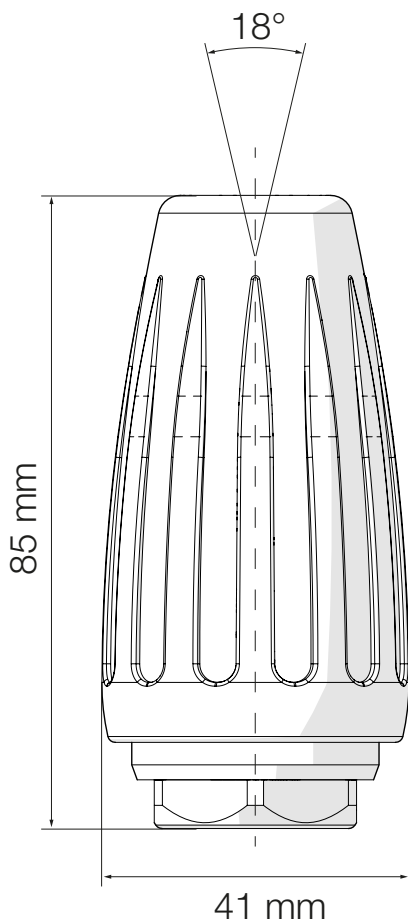
Construction industry

255 bar

Special features

- Flexible mounting direction

More info



Technical data

Pressure max.:	255 bar
Spray angle:	18°
Temperature max.:	90 °C
Bearing:	Ceramics
Nozzle:	Ceramics
Nozzle size:	020-110
Flow rate max.:	40 l/min
Length / Diameter:	85 / Ø 41 mm
Weight:	0,3 kg
Connection thread:	G 1/4" IG

RA16-130



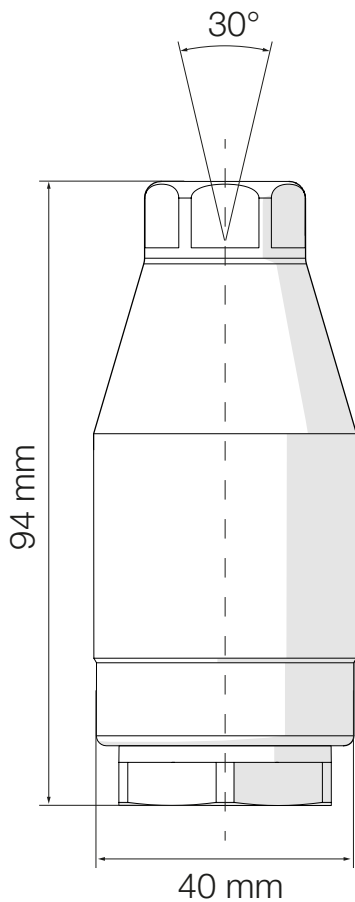
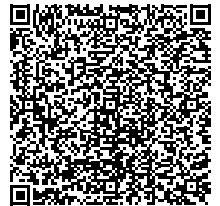
Construction industry

255 bar

Special features

- Flexible mounting direction

More info



Technical data

Pressure max.:	255 bar
Spray angle:	30°
Temperature max.:	90 °C
Bearing:	Ceramics
Nozzle:	Ceramics
Nozzle size:	020-085
Flow rate max.:	31 l/min
Length / Diameter:	94 / Ø 40 mm
Weight:	0,5 kg
Connection thread:	G 1/4" IG

RA16-135



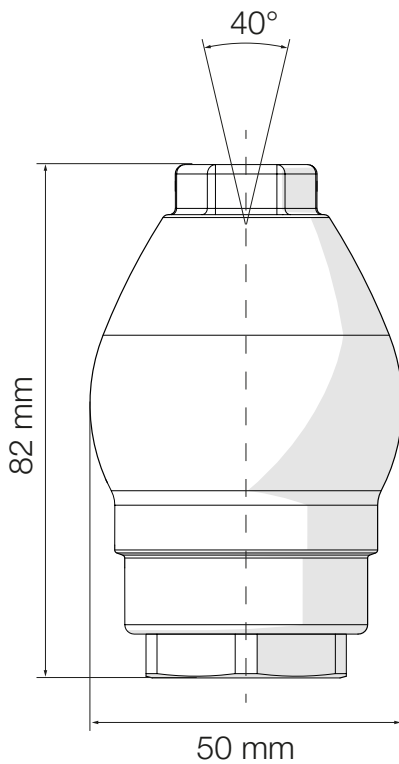
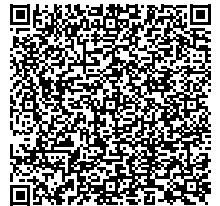
Construction industry

255 bar

Special features

- Flexible mounting direction

More info



Technical data

Pressure max.:	255 bar
Spray angle:	40°
Temperature max.:	90 °C
Bearing:	Ceramics
Nozzle:	Ceramics
Nozzle size:	020-055
Flow rate max.:	20 l/min
Length / Diameter:	82 / Ø 50 mm
Weight:	0,5 kg
Connection thread:	G 1/4" IG



Marine

Our range includes high-quality rotor nozzles that have been specially developed for the marine sector.

TEV Jäger GmbH values quality, reliability and efficiency. Our rotor nozzles are designed to meet the demanding requirements of the marine sector and offer innovative solutions for effective cleaning.

Discover our wide selection of rotor nozzles that guarantee optimum cleaning performance while meeting the specific needs of the marine industry.

If you have any questions or require individual advice, please do not hesitate to contact us at any time. Your TEV Jäger GmbH Team.

Mehr Infos



RA16-100

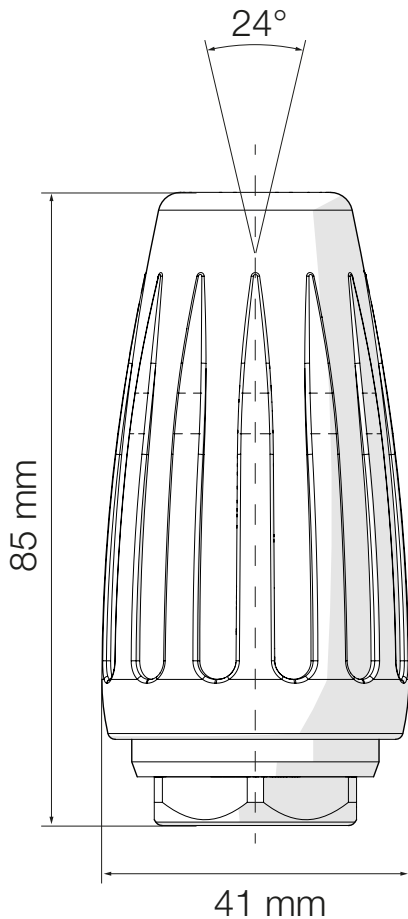


Marine

255 bar

Special features

More info



Technical data

Pressure max.:	255 bar
Spray angle:	24°
Temperature max.:	90 °C
Bearing:	Ceramics
Nozzle:	Ceramics
Nozzle size:	020-120
Flow rate max.:	44 l/min
Length / Diameter:	85 / Ø 41 mm
Weight:	0,3 kg
Connection thread:	G 1/4" IG

RA16-115



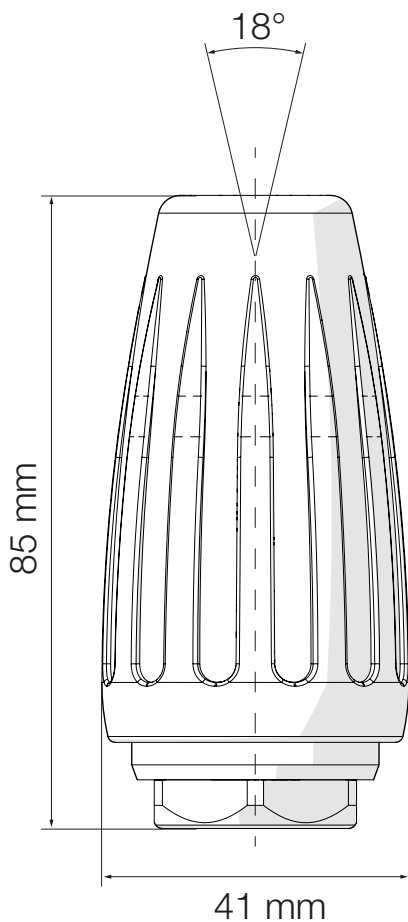
Marine

255 bar

Special features

- Flexible mounting direction

More info



Technical data

Pressure max.:	255 bar
Spray angle:	18°
Temperature max.:	90 °C
Bearing:	Ceramics
Nozzle:	Ceramics
Nozzle size:	020-110
Flow rate max.:	40 l/min
Length / Diameter:	85 / Ø 41 mm
Weight:	0,3 kg
Connection thread:	G 1/4" IG

RA16-140



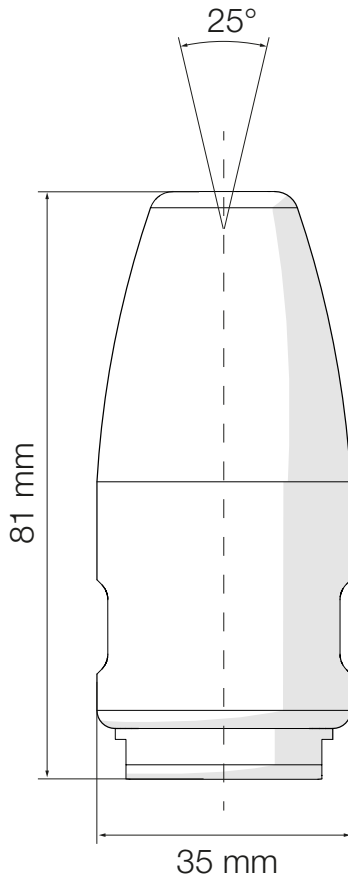
Marine

255 bar

Special features

- ▶ Flexible mounting direction

More info



Technical data

Pressure max.:	255 bar
Spray angle:	25°
Temperature max.:	90 °C
Bearing:	Ceramics
Nozzle:	Ceramics
Nozzle size:	020 - 120
Flow rate max.:	44 l/min
Length / Diameter:	81 / Ø 35 mm
Weight:	0,3 kg
Connection thread:	G 1/4" IG

RA16-220

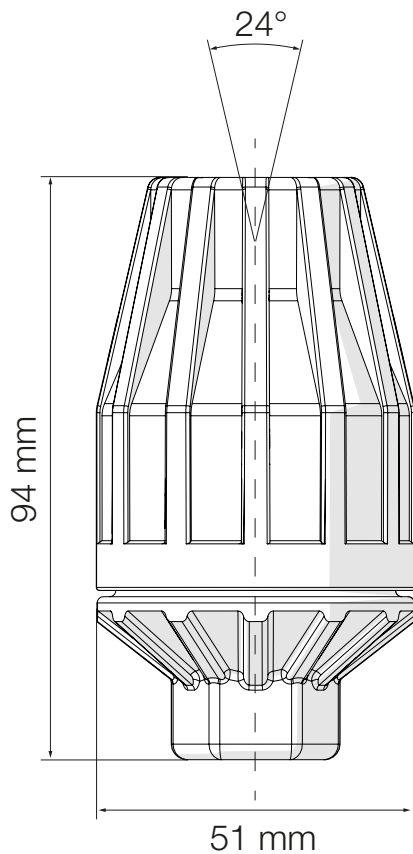


Marine

255 bar

Special features

More info



Technical data

Pressure max.:	255 bar
Spray angle:	20°
Temperature max.:	90 °C
Bearing:	Ceramics
Nozzle:	Ceramics
Nozzle size:	040-110
Flow rate max.:	40 l/min
Length / Diameter:	94 / Ø 51 mm
Weight:	0,5 kg
Connection thread:	G 1/4" IG

RA18-100



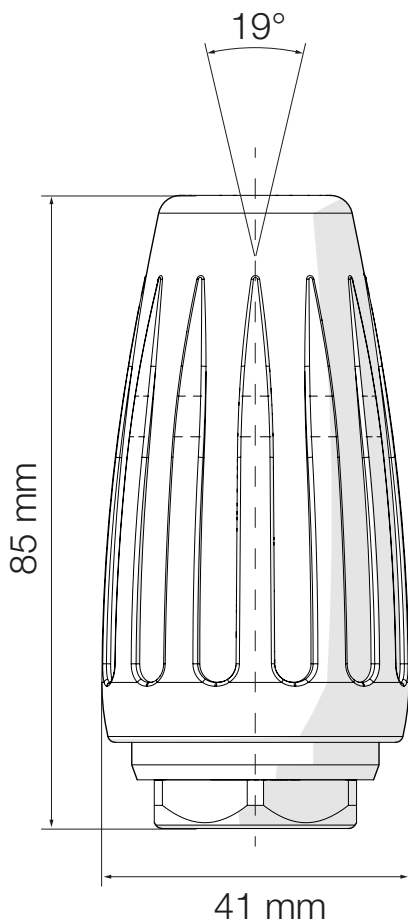
Marine

280 bar

Special features

- ▶ Flexible mounting direction
- ▶ Resistant to dirt

More info



Technical data

Pressure max.:	280 bar
Spray angle:	19°
Temperature max.:	90 °C
Bearing:	Ceramics
Nozzle:	Ceramics
Nozzle size:	025-085
Flow rate max.:	32 l/min
Length / Diameter:	85 / Ø 41 mm
Weight:	0,3 kg
Connection thread:	G 1/4" IG

RA21-100

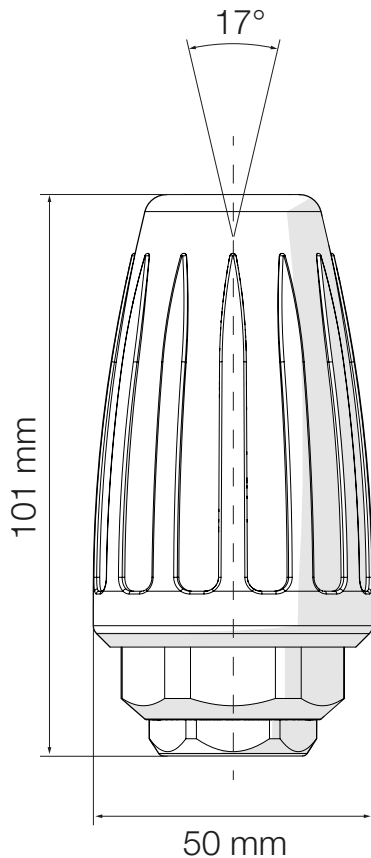


Marine

310 bar

Special features

More info



Technical data

Pressure max.:	310 bar
Spray angle:	17°
Temperature max.:	90 °C
Bearing:	Ceramics
Nozzle:	Ceramics
Nozzle size:	020 - 060
Flow rate max.:	24 l/min
Length / Diameter:	101 / Ø 50 mm
Weight:	0,5 kg
Connection thread:	G 1/4" IG

RA30-100

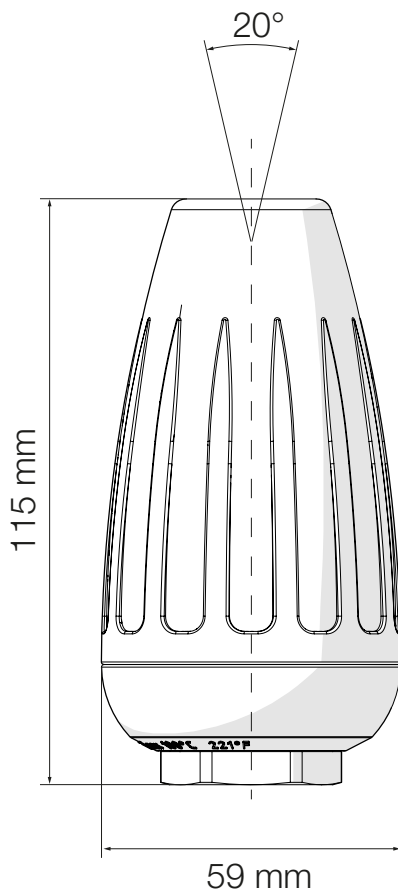


Marine

400 bar

Special features

More info



Technical data

Pressure max.:	400 bar
Spray angle:	20°
Temperature max.:	90 °C
Bearing:	Ceramics
Nozzle:	Ceramics
Nozzle size:	020 - 200
Flow rate max.:	86 l/min
Length / Diameter:	115 / Ø 59 mm
Weight:	0,8 kg
Connection thread:	G 1/4" IG

RA30-110

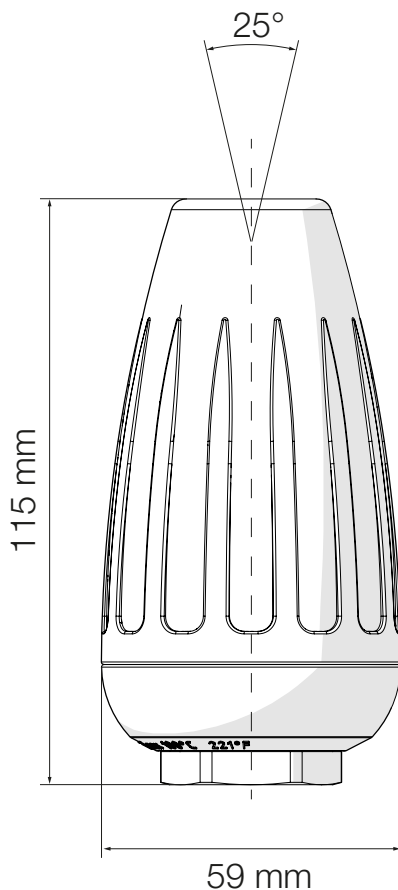


Marine

400 bar

Special features

More info



Technical data

Pressure max.:	400 bar
Spray angle:	25°
Temperature max.:	90 °C
Bearing:	Ceramics
Nozzle:	Ceramics
Nozzle size:	020-200
Flow rate max.:	92 l/min
Length / Diameter:	115 / Ø 59 mm
Weight:	0,8 kg
Connection thread:	G 1/4" IG

RA30-115



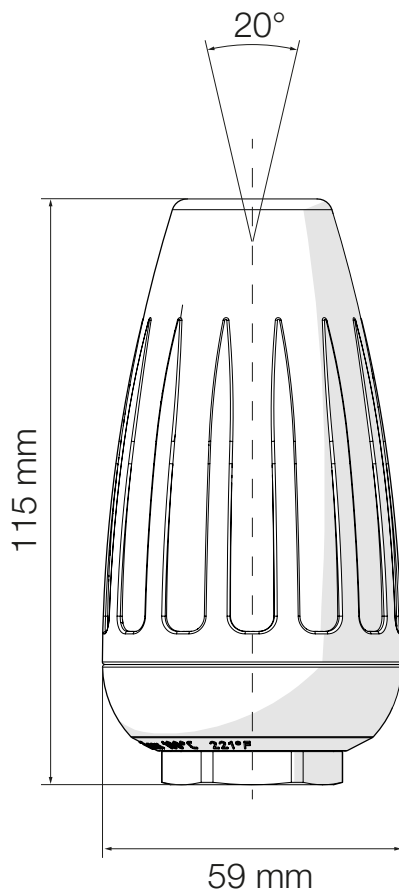
Marine

400 bar

Special features

- Higher material removal rate

More info



Technical data

Pressure max.:	400 bar
Spray angle:	20°
Temperature max.:	90 °C
Bearing:	Ceramics
Nozzle:	Ceramics
Nozzle size:	020 - 060
Flow rate max.:	26 l/min
Length / Diameter:	115 / Ø 59 mm
Weight:	0,8 kg
Connection thread:	G 1/4" IG

RA30-120

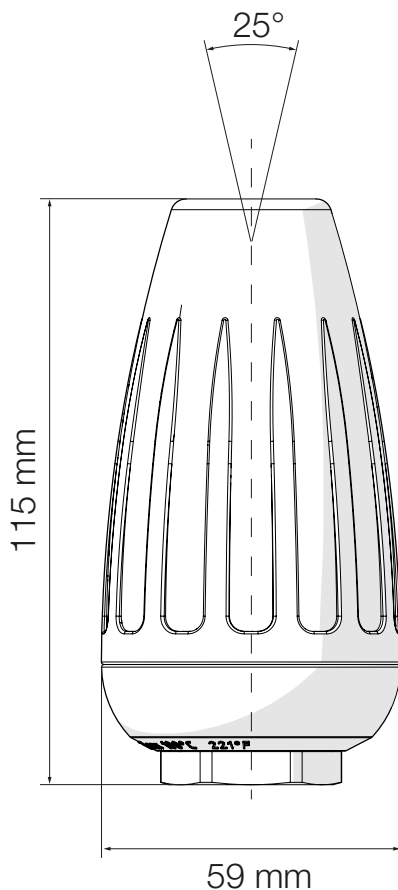


Marine

400 bar

Special features

More info



Technical data

Pressure max.:	400 bar
Spray angle:	25°
Temperature max.:	150 °C
Bearing:	Ceramics
Nozzle:	Ceramics
Nozzle size:	020 - 200
Flow rate max.:	86 l/min
Length / Diameter:	115 / Ø 59 mm
Weight:	0,8 kg
Connection thread:	G 1/4" IG

RB35-150

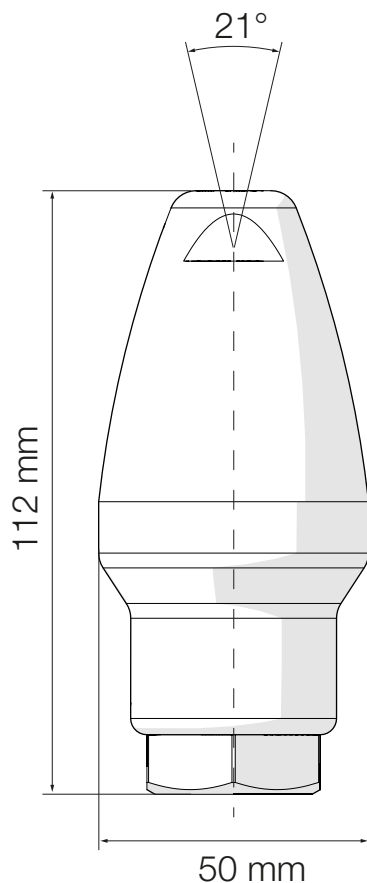


Marine

600 bar

Special features

More info



Technical data

Pressure max.:	600 bar
Spray angle:	21°
Temperature max.:	100 °C
Bearing:	Tungsten carbide
Nozzle:	Tungsten carbide
Nozzle size:	014-160
Flow rate max.:	89 l/min
Length / Diameter:	112 / Ø 50 mm
Weight:	0,7 kg
Connection thread:	G 1/4" IG

RA35-155

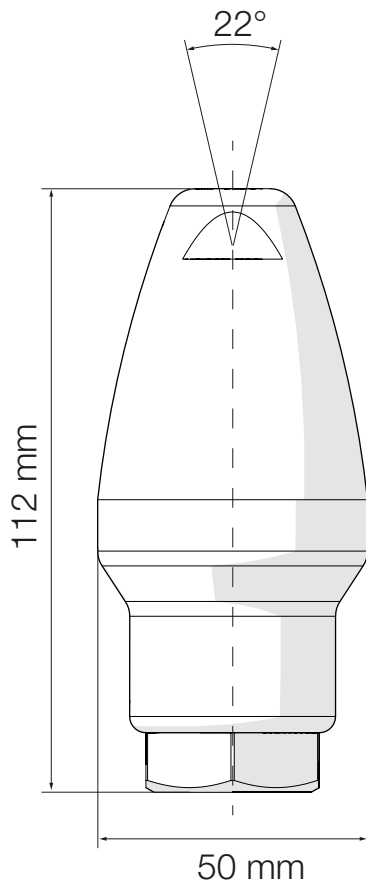


Marine

600 bar

Special features

More info



Technical data

Pressure max.:	600 bar
Spray angle:	22°
Temperature max.:	100 °C
Bearing:	Ceramics
Nozzle:	Ceramics
Nozzle size:	020-120
Flow rate max.:	67 l/min
Length / Diameter:	112 / Ø 50 mm
Weight:	0,7 kg
Connection thread:	G 1/4" IG

RB35-160

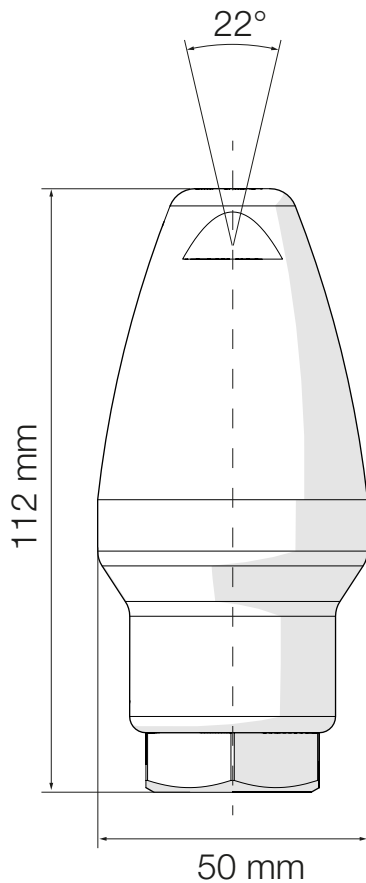


Marine

600 bar

Special features

More info



Technical data

Pressure max.:	600 bar
Spray angle:	22°
Temperature max.:	150 °C
Bearing:	Tungsten carbide
Nozzle:	Tungsten carbide
Nozzle size:	014-160
Flow rate max.:	89 l/min
Length / Diameter:	112 / Ø 50 mm
Weight:	0,7 kg
Connection thread:	G 1/4" IG

RB35-165



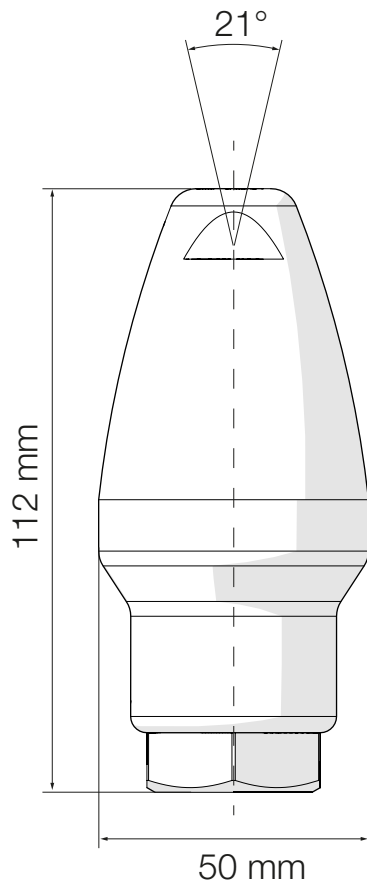
Marine

600 bar

Special features

- ▶ Flexible mounting direction
- ▶ Resistant to dirt

More info



Technical data

Pressure max.:	600 bar
Spray angle:	21°
Temperature max.:	150 °C
Bearing:	Tungsten carbide
Nozzle:	Tungsten carbide
Nozzle size:	020-075
Flow rate max.:	42 l/min
Length / Diameter:	112 / Ø 50 mm
Weight:	0,7 kg
Connection thread:	G 1/4" IG

RA35-195



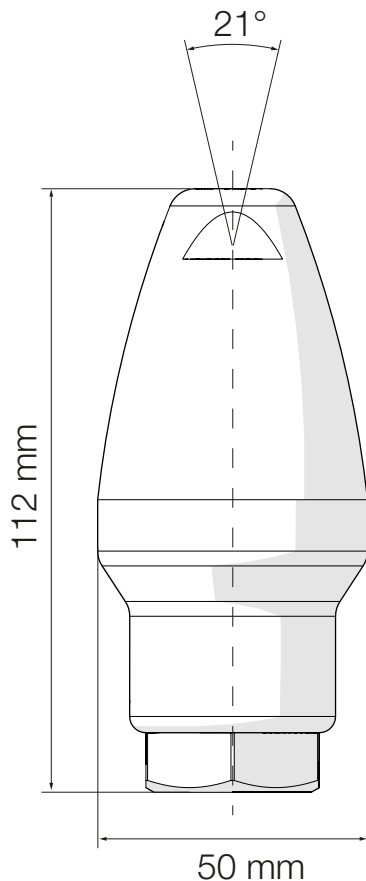
Marine

600 bar

Special features

- ▶ Flexible mounting direction
- ▶ Resistant to dirt

More info



Technical data

Pressure max.:	600 bar
Spray angle:	21°
Temperature max.:	150 °C
Bearing:	Ceramics
Nozzle:	Ceramics
Nozzle size:	020
Flow rate max.:	11 l/min
Length / Diameter:	112 / Ø 50 mm
Weight:	0,7 kg
Connection thread:	G 1/4" IG

RB45-115



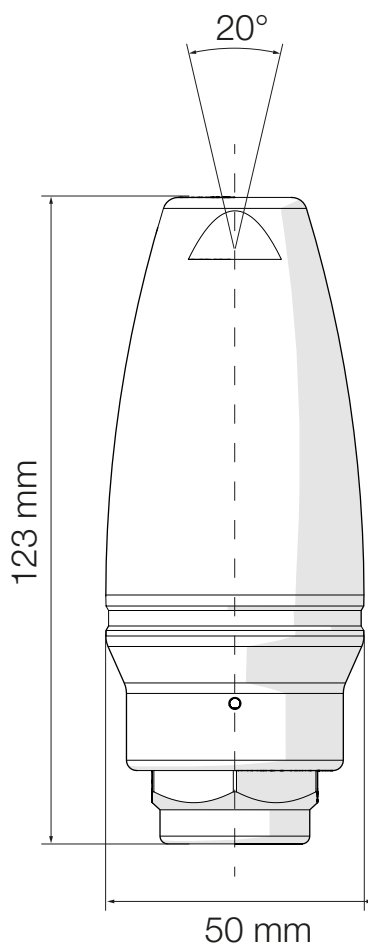
Marine

800 bar

Special features

- Flexible mounting direction

More info



Technical data

Pressure max.:	800 bar
Spray angle:	20°
Temperature max.:	90 °C
Bearing:	Tungsten carbide
Nozzle:	Tungsten carbide
Nozzle size:	020 - 100
Flow rate max.:	12 l/min
Length / Diameter:	123 / Ø 50 mm
Weight:	1,0 kg
Connection thread:	G 1/4" IG

RB45-125



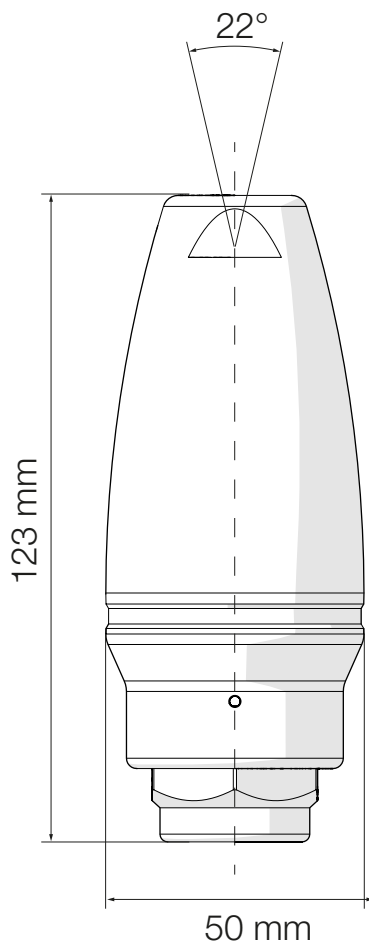
Marine

800 bar

Special features

- ▶ Flexible mounting direction
- ▶ Resistant to dirt
- ▶ More security with soft start

More info



Technical data

Pressure max.:	800 bar
Spray angle:	22°
Temperature max.:	150 °C
Bearing:	Tungsten carbide
Nozzle:	Tungsten carbide
Nozzle size:	020 - 120
Flow rate max.:	72 l/min
Length / Diameter:	123 / Ø 50 mm
Weight:	1,0 kg
Connection thread:	G 1/4" IG

RB45-130



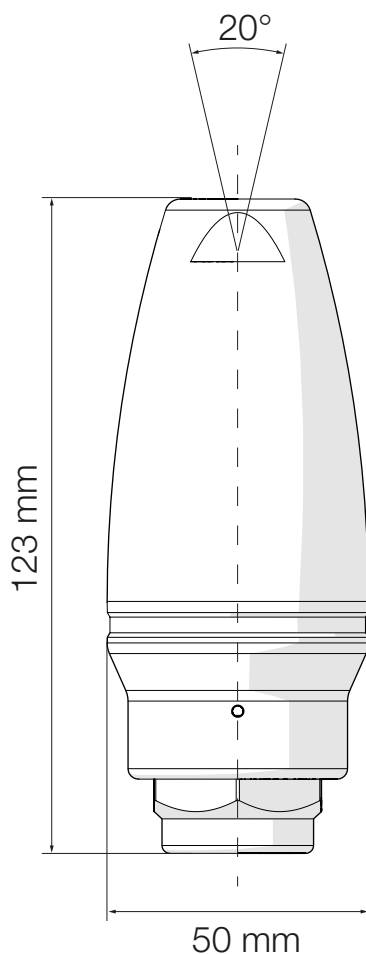
Marine

800 bar

Special features

- ▶ Flexible mounting direction
- ▶ Resistant to dirt

More info



Technical data

Pressure max.:	800 bar
Spray angle:	20°
Temperature max.:	90 °C
Bearing:	Tungsten carbide
Nozzle:	Tungsten carbide
Nozzle size:	020 - 090
Flow rate max.:	58 l/min
Length / Diameter:	123 / Ø 50 mm
Weight:	1,0 kg
Connection thread:	G 1/4" IG

RB55-120



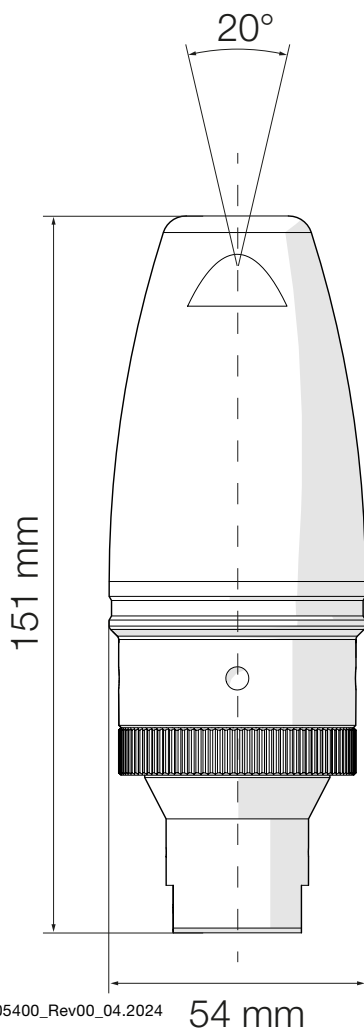
Marine

1000 bar

Special features

- Flexible mounting direction

More info



Technical data

Pressure max.:	1000 bar
Spray angle:	20°
Temperature max.:	90 °C
Bearing:	Tungsten carbide
Nozzle:	Tungsten carbide
Nozzle size:	014 - 110
Flow rate max.:	58 l/min
Length / Diameter:	151 / Ø 54 mm
Weight:	1,4 kg
Connection thread:	G 1/4" IG

RB55-125



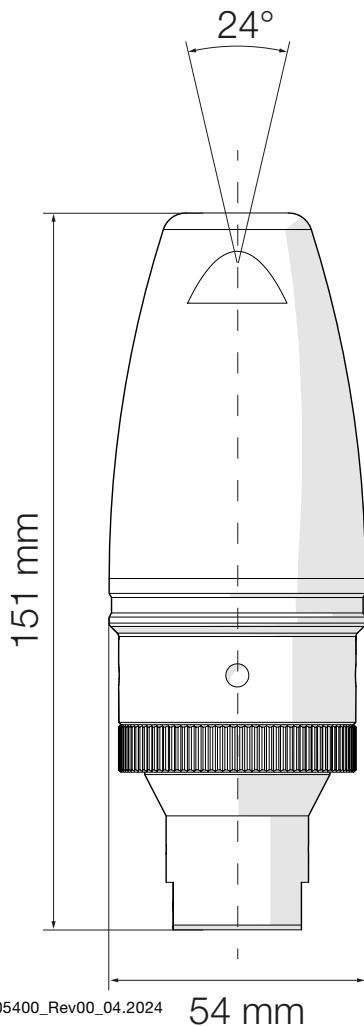
Marine

1000 bar

Special features

- ▶ Flexible mounting direction
- ▶ Resistant to dirt
- ▶ More security with soft start

More info



Technical data

Pressure max.:	1000 bar
Spray angle:	24°
Temperature max.:	90 °C
Bearing:	Tungsten carbide
Nozzle:	Tungsten carbide
Nozzle size:	014 - 110
Flow rate max.:	79 l/min
Length / Diameter:	151 / Ø 54 mm
Weight:	1,4 kg
Connection thread:	G 1/4" IG

RB55-130



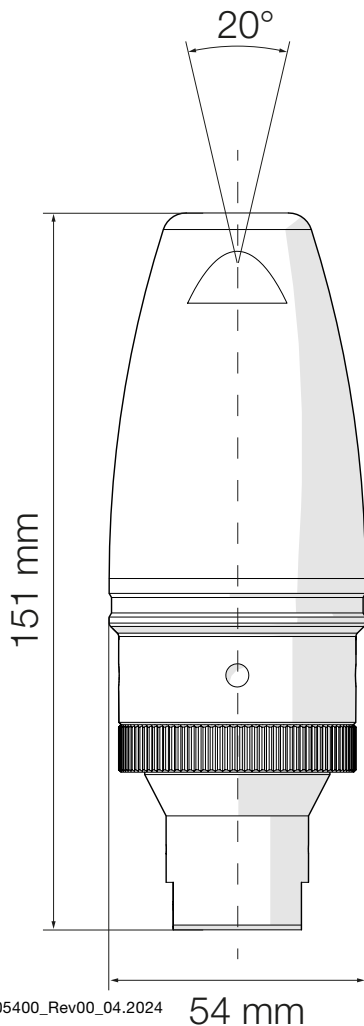
Marine

1000 bar

Special features

- Flexible mounting direction

More info



Technical data

Pressure max.:	1000 bar
Spray angle:	20°
Temperature max.:	90 °C
Bearing:	Tungsten carbide
Nozzle:	Tungsten carbide
Nozzle size:	014 - 110
Flow rate max.:	79 l/min
Length / Diameter:	151 / Ø 54 mm
Weight:	1,5 kg
Connection thread:	G 1/4" IG

RB55-135



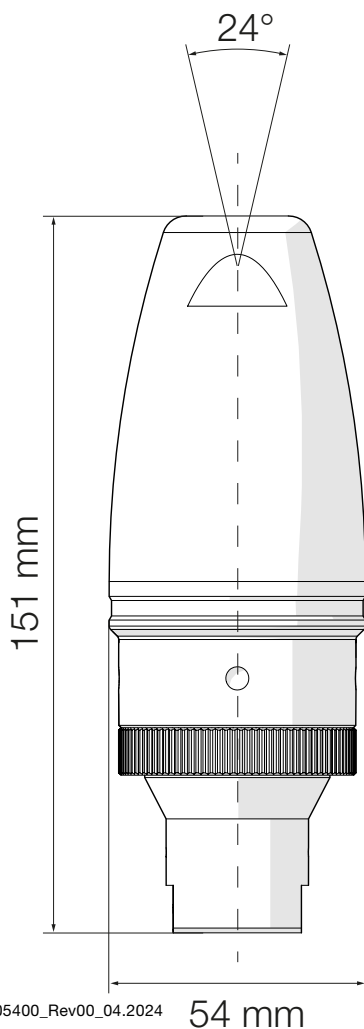
Marine

1000 bar

Special features

- ▶ Flexible mounting direction
- ▶ Resistant to dirt

More info



Technical data

Pressure max.:	1000 bar
Spray angle:	24°
Temperature max.:	90 °C
Bearing:	Tungsten carbide
Nozzle:	Tungsten carbide
Nozzle size:	014 - 110
Flow rate max.:	79 l/min
Length / Diameter:	151 / Ø 54 mm
Weight:	1,5 kg
Connection thread:	G 1/4" IG



Industrial cleaning

Our range includes an extensive selection of high-quality rotor nozzles, pendulum nozzles and multifunctional nozzles that have been specially developed for the requirements of industrial cleaning.

TEV Jäger GmbH values quality, reliability and efficiency. Our nozzles are designed to meet even the most demanding cleaning requirements and offer innovative solutions.

Discover a wide range of nozzles in our catalogue that guarantee optimum cleaning performance and are also tailored to the specific needs of industrial cleaning.

If you have any questions or require individual advice, please do not hesitate to contact us at any time. Your TEV Jäger GmbH Team.

Mehr Infos



RA16-100

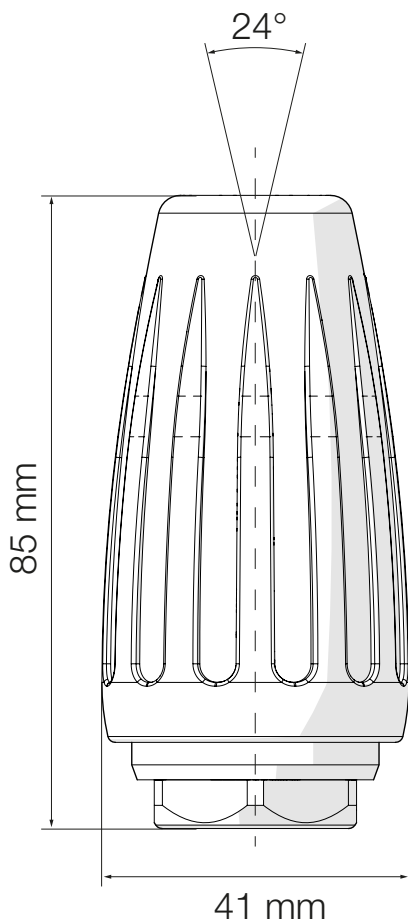


Industrial cleaning

255 bar

Special features

More info



Technical data

Pressure max.:	255 bar
Spray angle:	24°
Temperature max.:	90 °C
Bearing:	Ceramics
Nozzle:	Ceramics
Nozzle size:	020-120
Flow rate max.:	44 l/min
Length / Diameter:	85 / Ø 41 mm
Weight:	0,3 kg
Connection thread:	G 1/4" IG

RA16-110



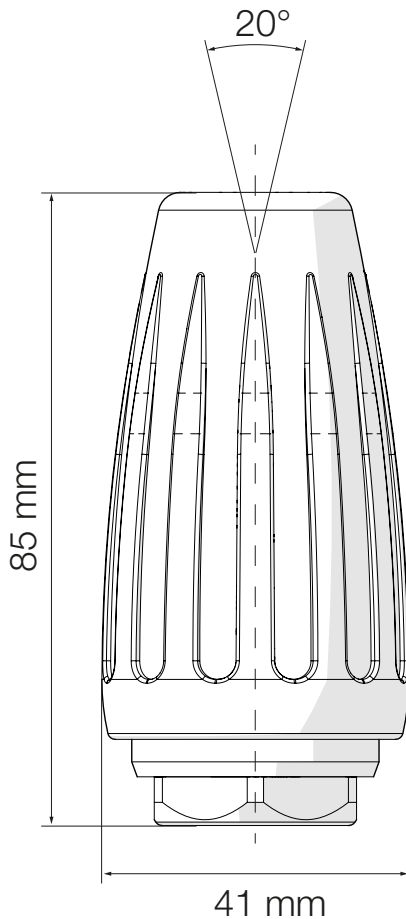
Industrial cleaning

255 bar

Special features

- ▶ Flexible mounting direction
- ▶ Resistant to dirt

More info



Technical data

Pressure max.:	255 bar
Spray angle:	20°
Temperature max.:	90 °C
Bearing:	Ceramics
Nozzle:	Ceramics
Nozzle size:	020-100
Flow rate max.:	36 l/min
Length / Diameter:	85 / Ø 41 mm
Weight:	0,3 kg
Connection thread:	G 1/4" IG

RA16-115



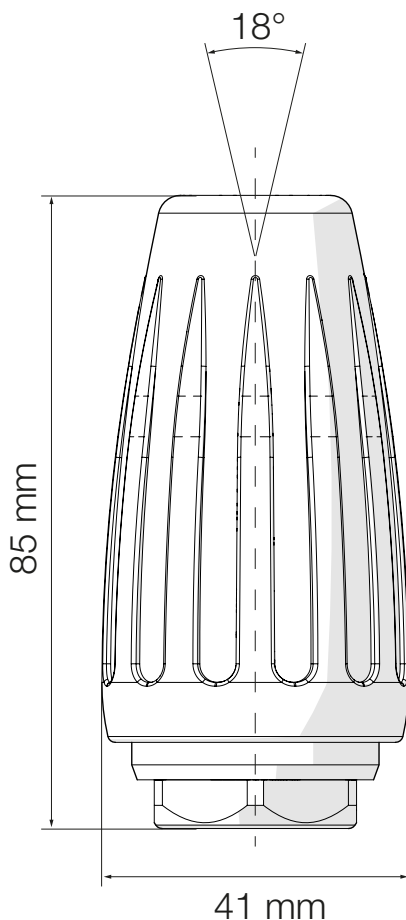
Industrial cleaning

255 bar

Special features

- Flexible mounting direction

More info



Technical data

Pressure max.:	255 bar
Spray angle:	18°
Temperature max.:	90 °C
Bearing:	Ceramics
Nozzle:	Ceramics
Nozzle size:	020-110
Flow rate max.:	40 l/min
Length / Diameter:	85 / Ø 41 mm
Weight:	0,3 kg
Connection thread:	G 1/4" IG

RA16-125



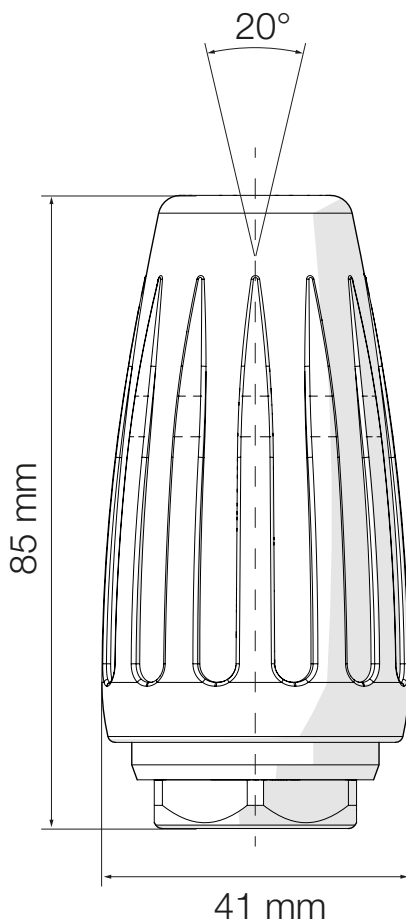
Industrial cleaning

255 bar

Special features

- Flexible mounting direction

More info



Technical data

Pressure max.:	255 bar
Spray angle:	20°
Temperature max.:	90 °C
Bearing:	Ceramics
Nozzle:	Ceramics
Nozzle size:	020-100
Flow rate max.:	36 l/min
Length / Diameter:	85 / Ø 41 mm
Weight:	0,3 kg
Connection thread:	G 1/4" IG

RA16-130



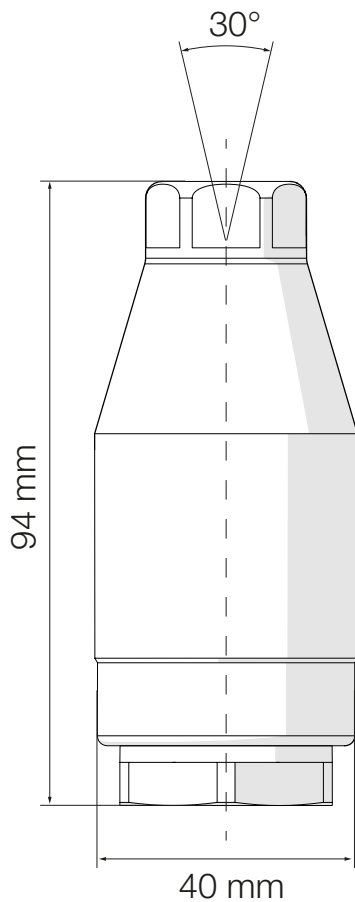
Industrial cleaning

255 bar

Special features

- Flexible mounting direction

More info



Technical data

Pressure max.:	255 bar
Spray angle:	30°
Temperature max.:	90 °C
Bearing:	Ceramics
Nozzle:	Ceramics
Nozzle size:	020-085
Flow rate max.:	31 l/min
Length / Diameter:	94 / Ø 40 mm
Weight:	0,5 kg
Connection thread:	G 1/4" IG

RA16-135



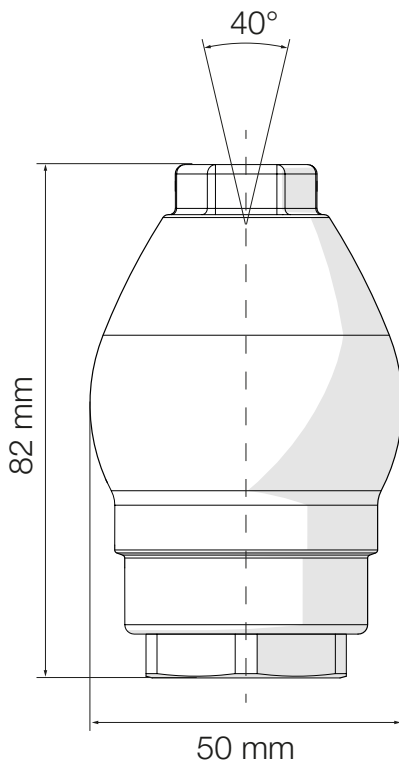
Industrial cleaning

255 bar

Special features

- Flexible mounting direction

More info



Technical data

Pressure max.:	255 bar
Spray angle:	40°
Temperature max.:	90 °C
Bearing:	Ceramics
Nozzle:	Ceramics
Nozzle size:	020-055
Flow rate max.:	20 l/min
Length / Diameter:	82 / Ø 50 mm
Weight:	0,5 kg
Connection thread:	G 1/4" IG

RA16-140



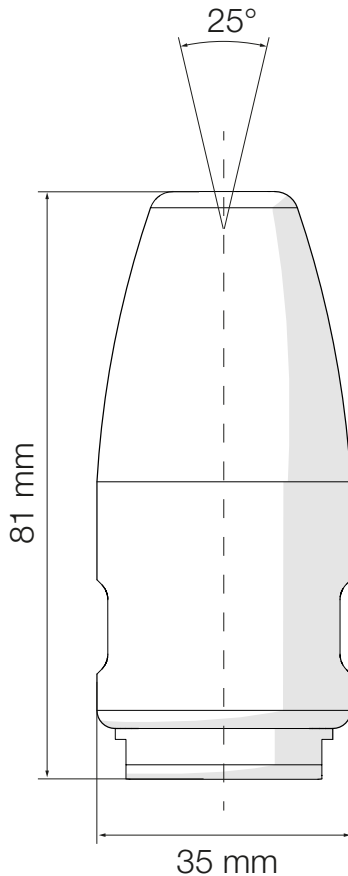
Industrial cleaning

255 bar

Special features

- Flexible mounting direction

More info



Technical data

Pressure max.:	255 bar
Spray angle:	25°
Temperature max.:	90 °C
Bearing:	Ceramics
Nozzle:	Ceramics
Nozzle size:	020 - 120
Flow rate max.:	44 l/min
Length / Diameter:	81 / Ø 35 mm
Weight:	0,3 kg
Connection thread:	G 1/4" IG

RA16-175



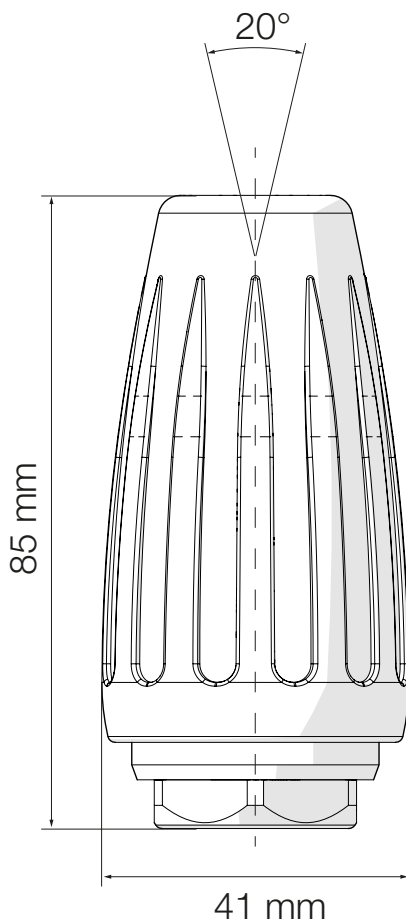
Industrial cleaning

255 bar

Special features

- Flexible mounting direction

More info



Technical data

Pressure max.:	255 bar
Spray angle:	24°
Temperature max.:	90 °C
Bearing:	Ceramics
Nozzle:	Ceramics
Nozzle size:	020-120
Flow rate max.:	44 l/min
Length / Diameter:	82 / Ø 50 mm
Weight:	0,5 kg
Connection thread:	G 1/4" IG

RA16-220

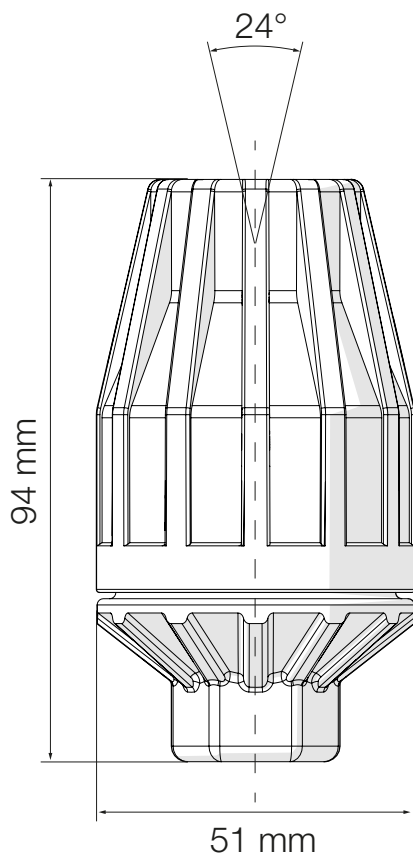


Industrial cleaning

255 bar

Special features

More info



Technical data

Pressure max.:	255 bar
Spray angle:	20°
Temperature max.:	90 °C
Bearing:	Ceramics
Nozzle:	Ceramics
Nozzle size:	040-110
Flow rate max.:	40 l/min
Length / Diameter:	94 / Ø 51 mm
Weight:	0,5 kg
Connection thread:	G 1/4" IG

RA18-100



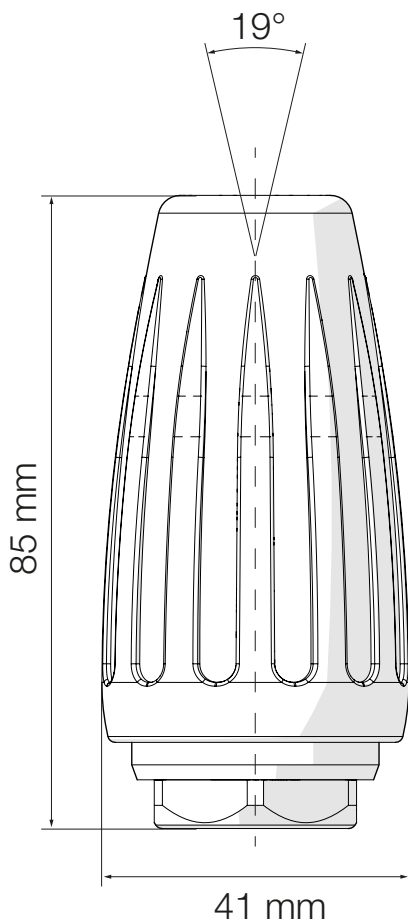
Industrial cleaning

280 bar

Special features

- ▶ Flexible mounting direction
- ▶ Resistant to dirt

More info



Technical data

Pressure max.:	280 bar
Spray angle:	19°
Temperature max.:	90 °C
Bearing:	Ceramics
Nozzle:	Ceramics
Nozzle size:	025-085
Flow rate max.:	32 l/min
Length / Diameter:	85 / Ø 41 mm
Weight:	0,3 kg
Connection thread:	G 1/4" IG

RA21-100

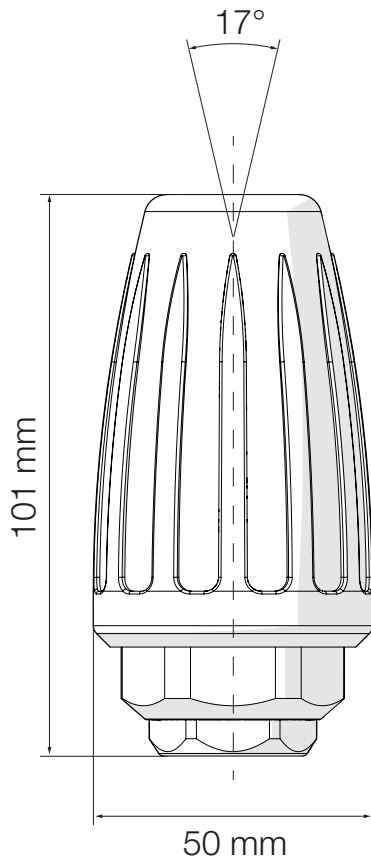


Industrial cleaning

310 bar

Special features

More info



Technical data

Pressure max.:	310 bar
Spray angle:	17°
Temperature max.:	90 °C
Bearing:	Ceramics
Nozzle:	Ceramics
Nozzle size:	020 - 060
Flow rate max.:	24 l/min
Length / Diameter:	101 / Ø 50 mm
Weight:	0,5 kg
Connection thread:	G 1/4" IG

RA30-100

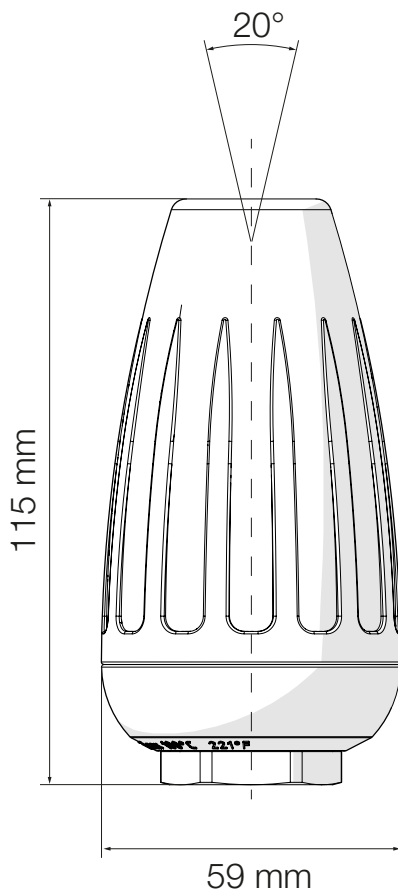


Industrial cleaning

400 bar

Special features

More info



Technical data

Pressure max.:	400 bar
Spray angle:	20°
Temperature max.:	90 °C
Bearing:	Ceramics
Nozzle:	Ceramics
Nozzle size:	020 - 200
Flow rate max.:	86 l/min
Length / Diameter:	115 / Ø 59 mm
Weight:	0,8 kg
Connection thread:	G 1/4" IG

RA30-110

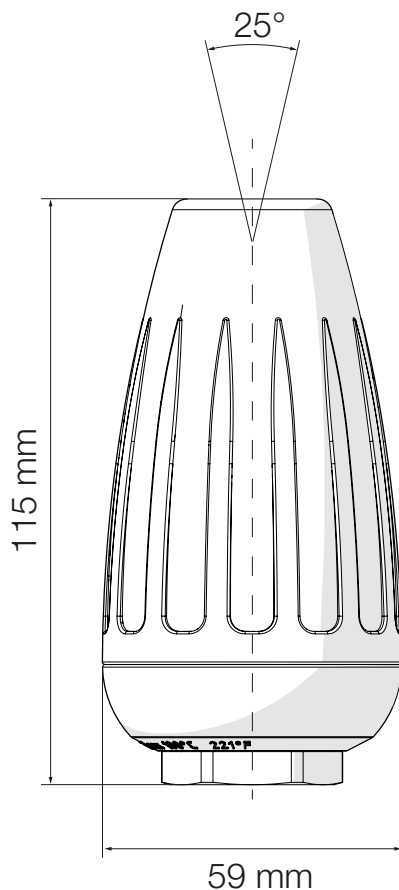


Industrial cleaning

400 bar

Special features

More info



Technical data

Pressure max.:	400 bar
Spray angle:	25°
Temperature max.:	90 °C
Bearing:	Ceramics
Nozzle:	Ceramics
Nozzle size:	020-200
Flow rate max.:	92 l/min
Length / Diameter:	115 / Ø 59 mm
Weight:	0,8 kg
Connection thread:	G 1/4" IG

RA30-115



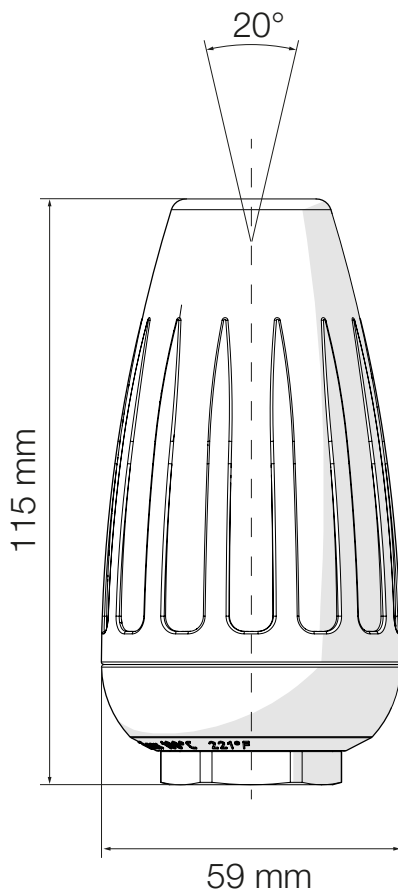
Industrial cleaning

400 bar

Special features

- Higher material removal rate

More info



Technical data

Pressure max.:	400 bar
Spray angle:	20°
Temperature max.:	90 °C
Bearing:	Ceramics
Nozzle:	Ceramics
Nozzle size:	020 - 060
Flow rate max.:	26 l/min
Length / Diameter:	115 / Ø 59 mm
Weight:	0,8 kg
Connection thread:	G 1/4" IG

RA30-120

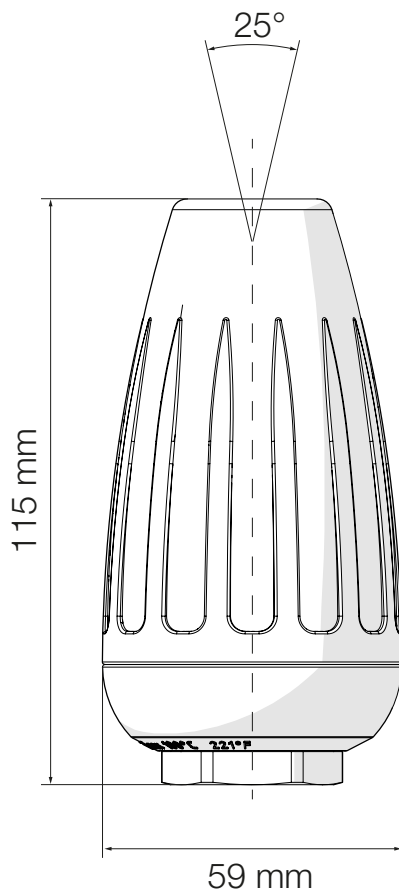


Industrial cleaning

400 bar

Special features

More info



Technical data

Pressure max.:	400 bar
Spray angle:	25°
Temperature max.:	150 °C
Bearing:	Ceramics
Nozzle:	Ceramics
Nozzle size:	020 - 200
Flow rate max.:	86 l/min
Length / Diameter:	115 / Ø 59 mm
Weight:	0,8 kg
Connection thread:	G 1/4" IG

RB35-150

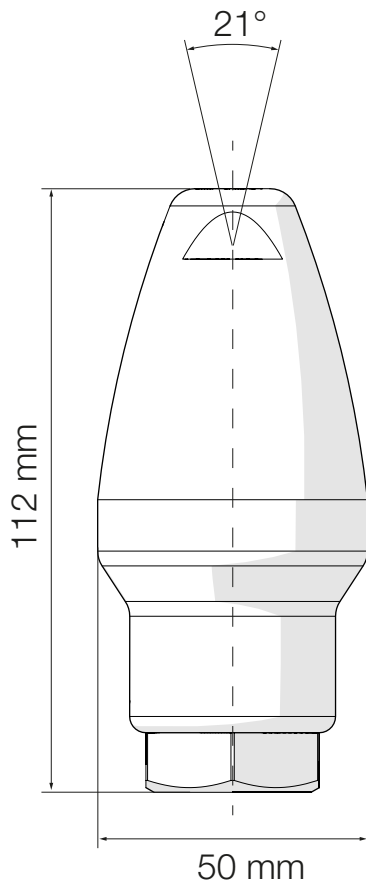


Industrial cleaning

600 bar

Special features

More info



Technical data

Pressure max.:	600 bar
Spray angle:	21°
Temperature max.:	100 °C
Bearing:	Tungsten carbide
Nozzle:	Tungsten carbide
Nozzle size:	014-160
Flow rate max.:	89 l/min
Length / Diameter:	112 / Ø 50 mm
Weight:	0,7 kg
Connection thread:	G 1/4" IG

RA35-155

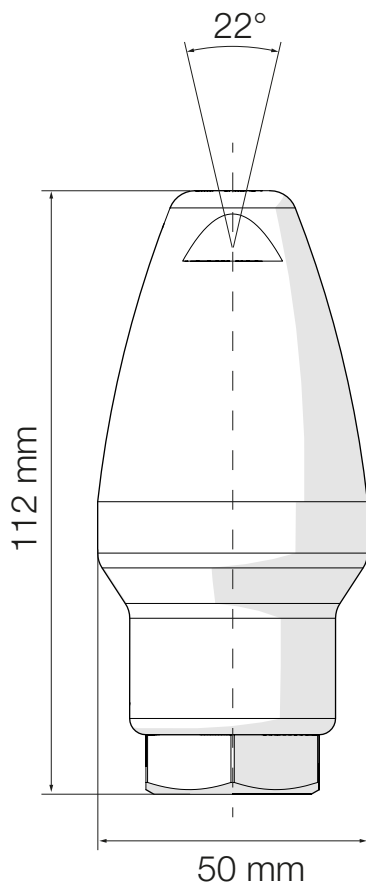


Industrial cleaning

600 bar

Special features

More info



Technical data

Pressure max.:	600 bar
Spray angle:	22°
Temperature max.:	100 °C
Bearing:	Ceramics
Nozzle:	Ceramics
Nozzle size:	020-120
Flow rate max.:	67 l/min
Length / Diameter:	112 / Ø 50 mm
Weight:	0,7 kg
Connection thread:	G 1/4" IG

RB35-160

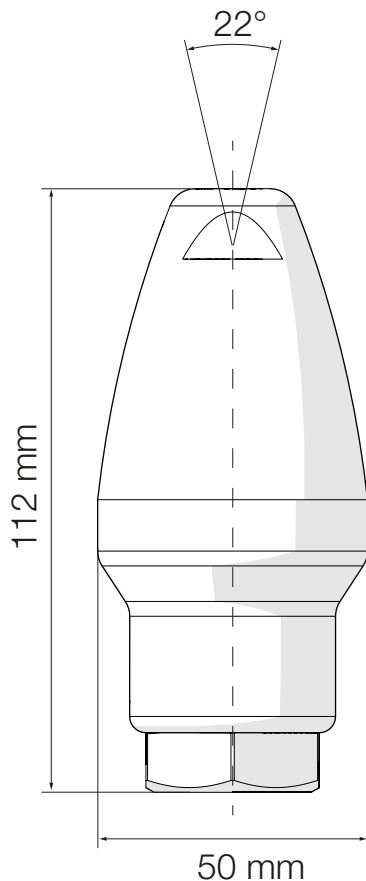


Industrial cleaning

600 bar

Special features

More info



Technical data

Pressure max.:	600 bar
Spray angle:	22°
Temperature max.:	150 °C
Bearing:	Tungsten carbide
Nozzle:	Tungsten carbide
Nozzle size:	014-160
Flow rate max.:	89 l/min
Length / Diameter:	112 / Ø 50 mm
Weight:	0,7 kg
Connection thread:	G 1/4" IG

RB35-165



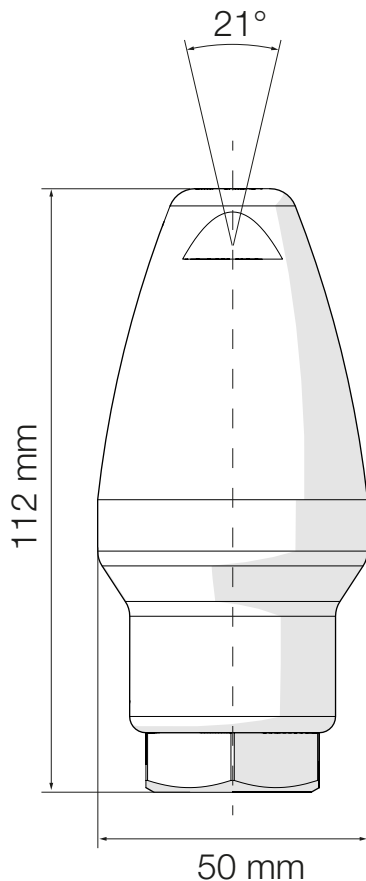
Industrial cleaning

600 bar

Special features

- ▶ Flexible mounting direction
- ▶ Resistant to dirt

More info



Technical data

Pressure max.:	600 bar
Spray angle:	21°
Temperature max.:	150 °C
Bearing:	Tungsten carbide
Nozzle:	Tungsten carbide
Nozzle size:	020-075
Flow rate max.:	42 l/min
Length / Diameter:	112 / Ø 50 mm
Weight:	0,7 kg
Connection thread:	G 1/4" IG

RA35-195



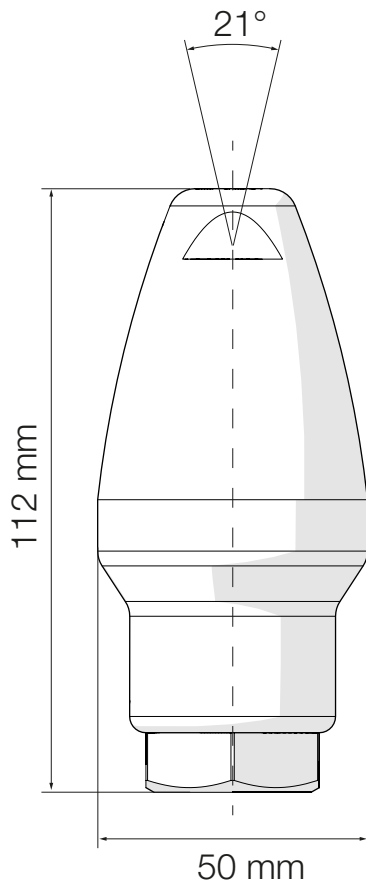
Industrial cleaning

600 bar

Special features

- ▶ Flexible mounting direction
- ▶ Resistant to dirt

More info



Technical data

Pressure max.:	600 bar
Spray angle:	21°
Temperature max.:	150 °C
Bearing:	Ceramics
Nozzle:	Ceramics
Nozzle size:	020
Flow rate max.:	11 l/min
Length / Diameter:	112 / Ø 50 mm
Weight:	0,7 kg
Connection thread:	G 1/4" IG

RB45-115



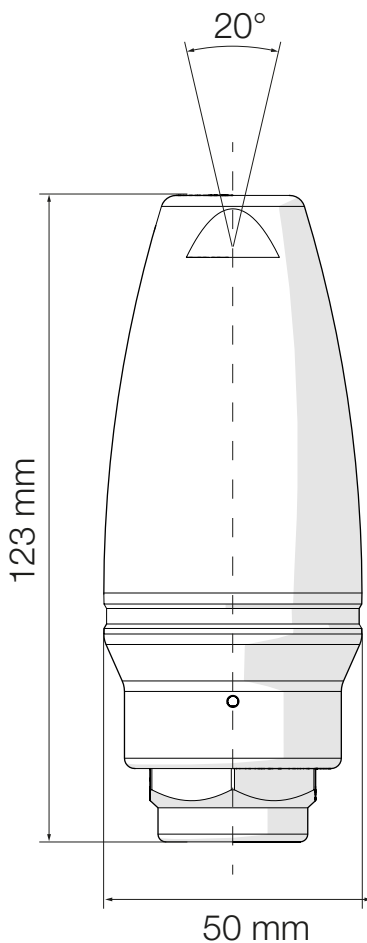
Industrial cleaning

800 bar

Special features

- Flexible mounting direction

More info



Technical data

Pressure max.:	800 bar
Spray angle:	20°
Temperature max.:	90 °C
Bearing:	Tungsten carbide
Nozzle:	Tungsten carbide
Nozzle size:	020 - 100
Flow rate max.:	65 l/min
Length / Diameter:	123 / Ø 50 mm
Weight:	1,0 kg
Connection thread:	G 1/4" IG

RB45-125



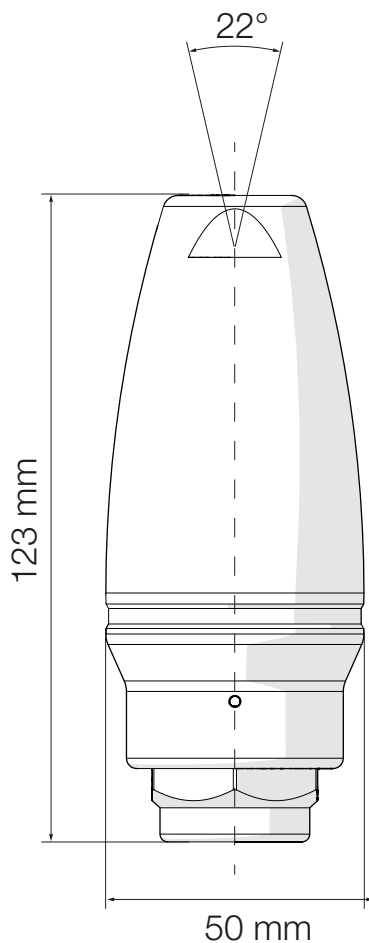
Industrial cleaning

800 bar

Special features

- ▶ Flexible mounting direction
- ▶ Resistant to dirt
- ▶ More security with soft start

More info



Technical data

Pressure max.:	800 bar
Spray angle:	22°
Temperature max.:	150 °C
Bearing:	Tungsten carbide
Nozzle:	Tungsten carbide
Nozzle size:	020 - 120
Flow rate max.:	77 l/min
Length / Diameter:	123 / Ø 50 mm
Weight:	1,0 kg
Connection thread:	G 1/4" IG

RB45-130



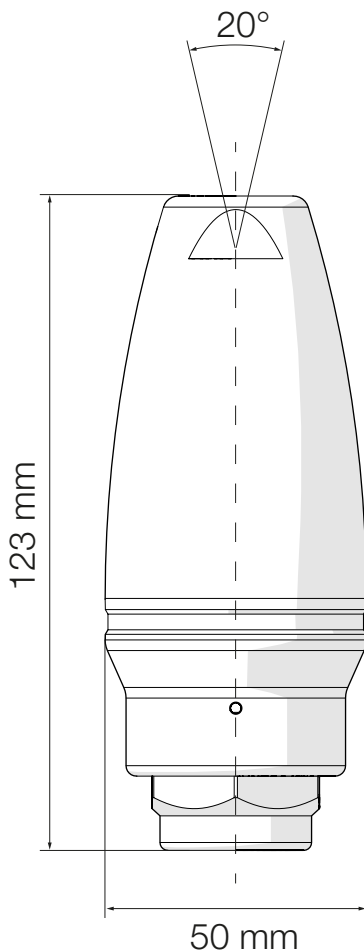
Industrial cleaning

800 bar

Special features

- ▶ Flexible mounting direction
- ▶ Resistant to dirt

More info



Technical data

Pressure max.:	800 bar
Spray angle:	20°
Temperature max.:	90 °C
Bearing:	Tungsten carbide
Nozzle:	Tungsten carbide
Nozzle size:	020 - 090
Flow rate max.:	58 l/min
Length / Diameter:	123 / Ø 50 mm
Weight:	1,0 kg
Connection thread:	G 1/4" IG

RB55-120



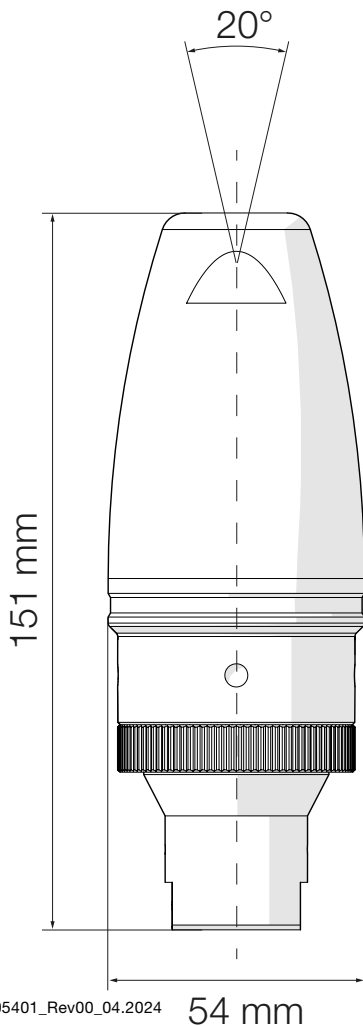
Industrial cleaning

1000 bar

Special features

- Flexible mounting direction

More info



Technical data

Pressure max.:	1000 bar
Spray angle:	20°
Temperature max.:	90 °C
Bearing:	Tungsten carbide
Nozzle:	Tungsten carbide
Nozzle size:	014 - 110
Flow rate max.:	79 l/min
Length / Diameter:	151 / Ø 54 mm
Weight:	1,4 kg
Connection thread:	G 1/4" IG

RB55-125



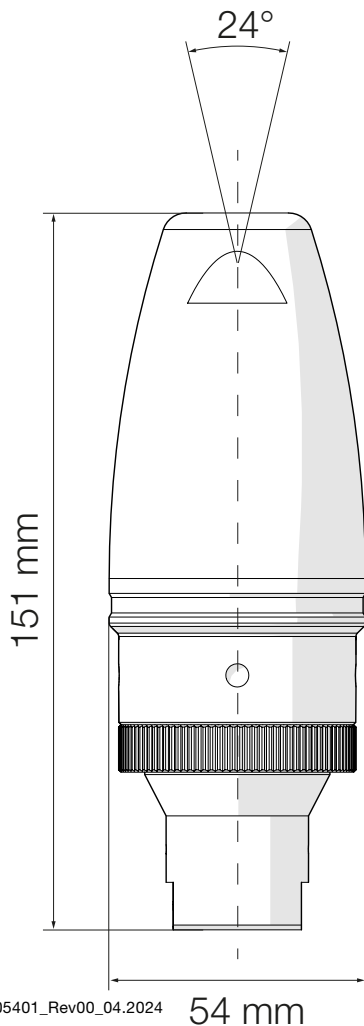
Industrial cleaning

1000 bar

Special features

- ▶ Flexible mounting direction
- ▶ Resistant to dirt
- ▶ More security with soft start

More info



Technical data

Pressure max.:	1000 bar
Spray angle:	24°
Temperature max.:	90 °C
Bearing:	Tungsten carbide
Nozzle:	Tungsten carbide
Nozzle size:	014 - 110
Flow rate max.:	79 l/min
Length / Diameter:	151 / Ø 54 mm
Weight:	1,4 kg
Connection thread:	G 1/4" IG

RB55-130



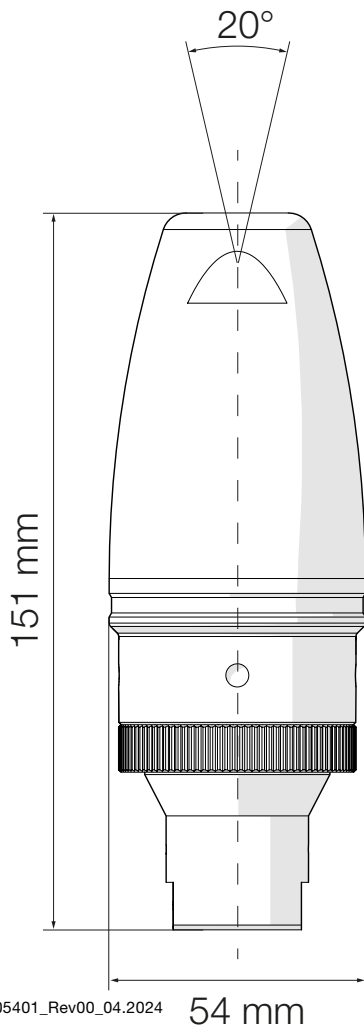
Industrial cleaning

1000 bar

Special features

- Flexible mounting direction

More info



Technical data

Pressure max.:	1000 bar
Spray angle:	20°
Temperature max.:	90 °C
Bearing:	Tungsten carbide
Nozzle:	Tungsten carbide
Nozzle size:	014 - 110
Flow rate max.:	79 l/min
Length / Diameter:	151 / Ø 54 mm
Weight:	1,5 kg
Connection thread:	G 1/4" IG

RB55-135



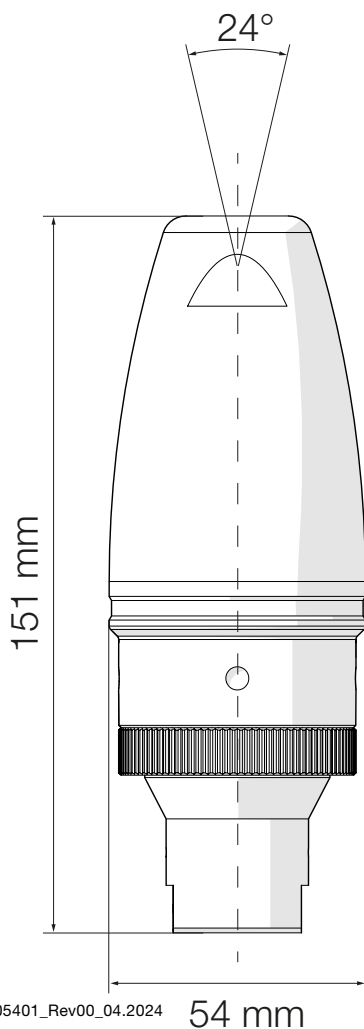
Industrial cleaning

1000 bar

Special features

- ▶ Flexible mounting direction
- ▶ Resistant to dirt

More info



Technical data

Pressure max.:	1000 bar
Spray angle:	24°
Temperature max.:	90 °C
Bearing:	Tungsten carbide
Nozzle:	Tungsten carbide
Nozzle size:	014 - 110
Flow rate max.:	79 l/min
Length / Diameter:	151 / Ø 54 mm
Weight:	1,5 kg
Connection thread:	G 1/4" IG

RB60-115



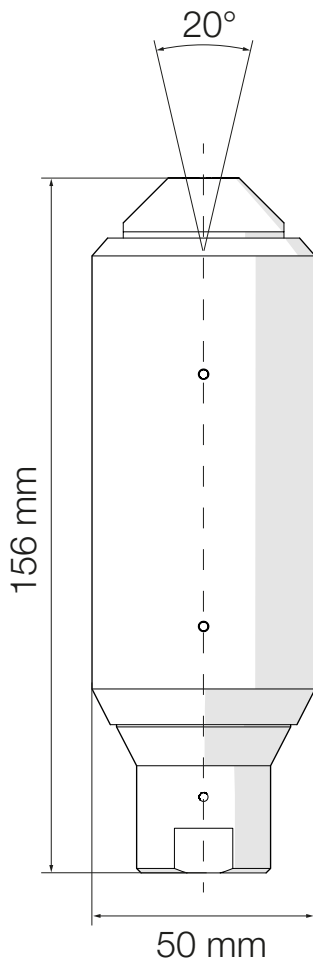
Industrial cleaning

1200 bar

Special features

- Flexible mounting direction

More info



Technical data

Pressure max.:	1200 bar
Spray angle:	20°
Temperature max.:	90 °C
Bearing:	Tungsten carbide
Nozzle:	Tungsten carbide
Nozzle size:	018 - 110
Flow rate max.:	87 l/min
Length / Diameter:	156 / Ø 50 mm
Weight:	1,5 kg
Connection thread:	G 1/4" IG

RB60-125



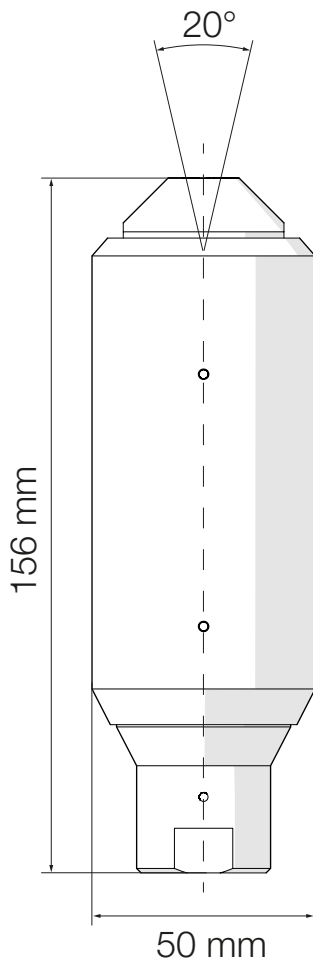
Industrial cleaning

1200 bar

Special features

- Flexible mounting direction

More info



Technical data

Pressure max.:	1200 bar
Spray angle:	20°
Temperature max.:	90 °C
Bearing:	Tungsten carbide
Nozzle:	Tungsten carbide
Nozzle size:	018
Flow rate max.:	14 l/min
Length / Diameter:	156 / Ø 50 mm
Weight:	1,5 kg
Connection thread:	G 1/4" IG

RB65-120



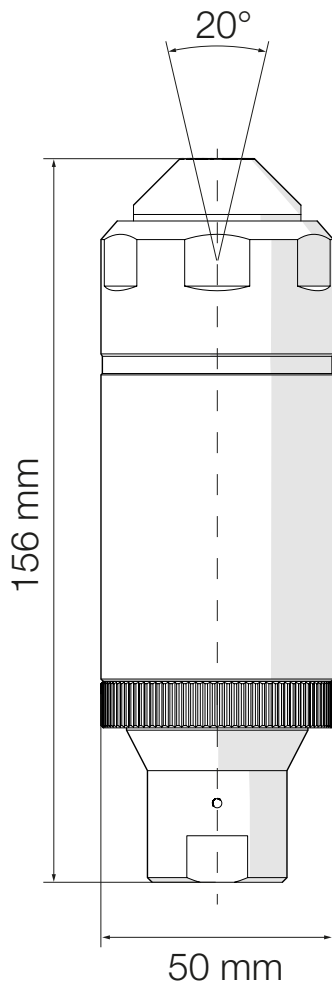
Industrial cleaning

1500 bar

Special features

- Flexible mounting direction

More info



Technical data

Pressure max.:	1500 bar
Spray angle:	20°
Temperature max.:	90 °C
Bearing:	Tungsten carbide
Nozzle:	Tungsten carbide
Nozzle size:	018-110
Flow rate max.:	97 l/min
Length / Diameter:	156 / Ø 50 mm
Weight:	1,5 kg
Connection thread:	G 1/4" IG

RB65-125



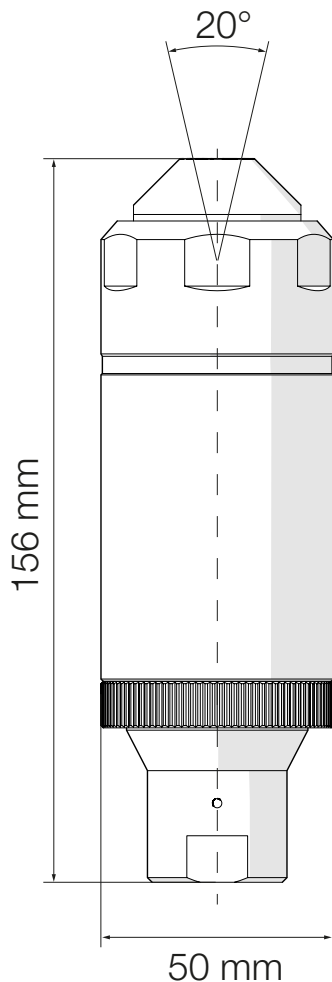
Industrial cleaning

1500 bar

Special features

- ▶ Flexible mounting direction
- ▶ Resistant to dirt

More info



Technical data

Pressure max.:	1500 bar
Spray angle:	20°
Temperature max.:	150 °C
Bearing:	Tungsten carbide
Nozzle:	Tungsten carbide
Nozzle size:	018-110
Flow rate max.:	97 l/min
Length / Diameter:	156 / Ø 50 mm
Weight:	1,5 kg
Connection thread:	G 1/4" IG

RB65-130



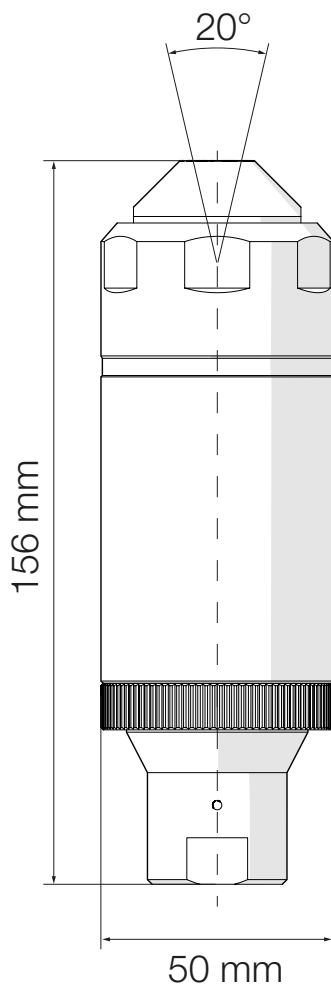
Industrial cleaning

1500 bar

Special features

- Flexible mounting direction

More info



Technical data

Pressure max.:	1500 bar
Spray angle:	20°
Temperature max.:	90 °C
Bearing:	Tungsten carbide
Nozzle:	Tungsten carbide
Nozzle size:	018-110
Flow rate max.:	97 l/min
Length / Diameter:	156 / Ø 50 mm
Weight:	1,5 kg
Connection thread:	G 1/4" IG

RB65-135



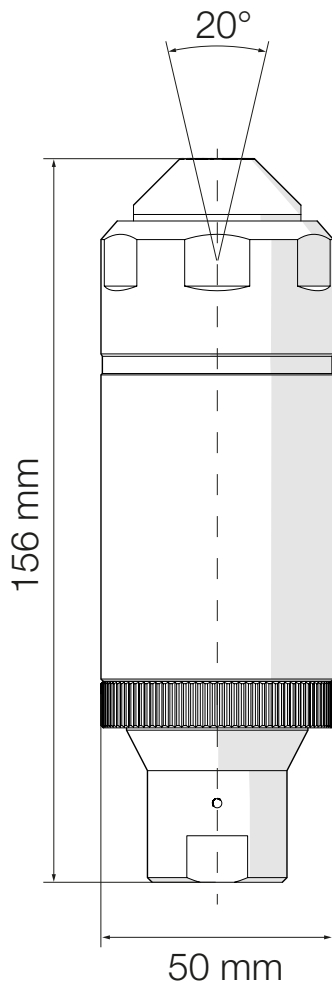
Industrial cleaning

1500 bar

Special features

- ▶ Flexible mounting direction
- ▶ Resistant to dirt

More info



Technical data

Pressure max.:	1500 bar
Spray angle:	20°
Temperature max.:	150 °C
Bearing:	Tungsten carbide
Nozzle:	Tungsten carbide
Nozzle size:	018-110
Flow rate max.:	97 l/min
Length / Diameter:	156 / Ø 50 mm
Weight:	1,5 kg
Connection thread:	G 1/4" IG

RB75-120



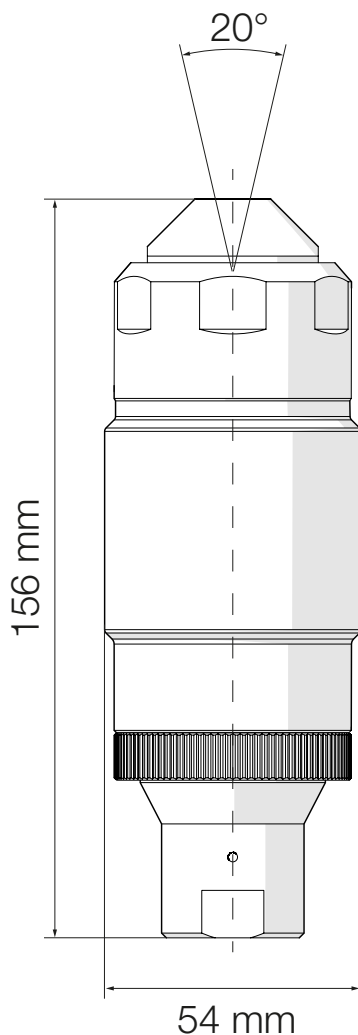
Industrial cleaning

2500 bar

Special features

- Flexible mounting direction

More info



Technical data

Pressure max.:	2500 bar
Spray angle:	20°
Temperature max.:	90 °C
Bearing:	Tungsten carbide
Nozzle:	Tungsten carbide
Nozzle size:	018-110
Flow rate max.:	over 100 l/min
Length / Diameter:	156 / Ø 54 mm
Weight:	1,6 kg
Connection thread:	G 1/4" IG

RB75-125



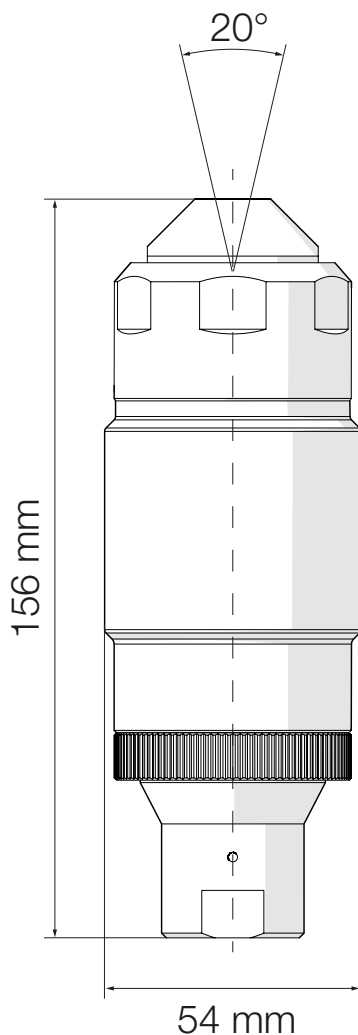
Industrial cleaning

2500 bar

Special features

- ▶ Flexible mounting direction
- ▶ Resistant to dirt
- ▶ More security with soft start

More info



Technical data

Pressure max.:	2500 bar
Spray angle:	20°
Temperature max.:	150 °C
Bearing:	Tungsten carbide
Nozzle:	Tungsten carbide
Nozzle size:	018-110
Flow rate max.:	over 100 l/min
Length / Diameter:	156 / Ø 54 mm
Weight:	1,6 kg
Connection thread:	G 1/4" IG

RB75-130



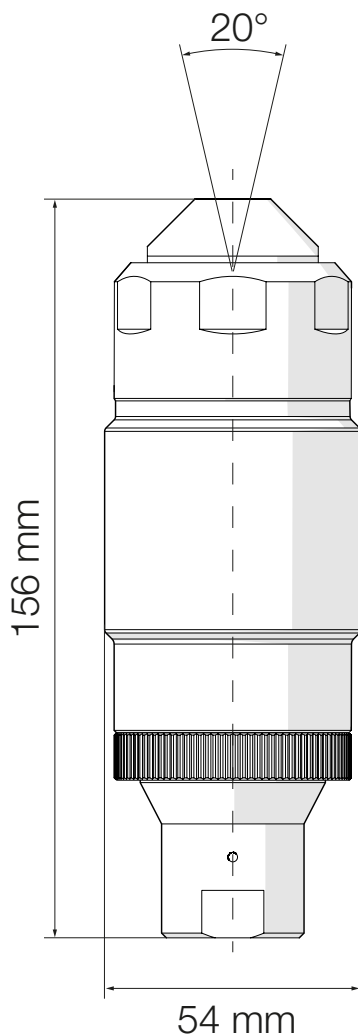
Industrial cleaning

2500 bar

Special features

- Flexible mounting direction

More info



Technical data

Pressure max.:	2500 bar
Spray angle:	20°
Temperature max.:	90 °C
Bearing:	Tungsten carbide
Nozzle:	Tungsten carbide
Nozzle size:	018-110
Flow rate max.:	over 100 l/min-
Length / Diameter:	156 / Ø 54 mm
Weight:	1,6 kg
Connection thread:	G 1/4" IG

RB75-135



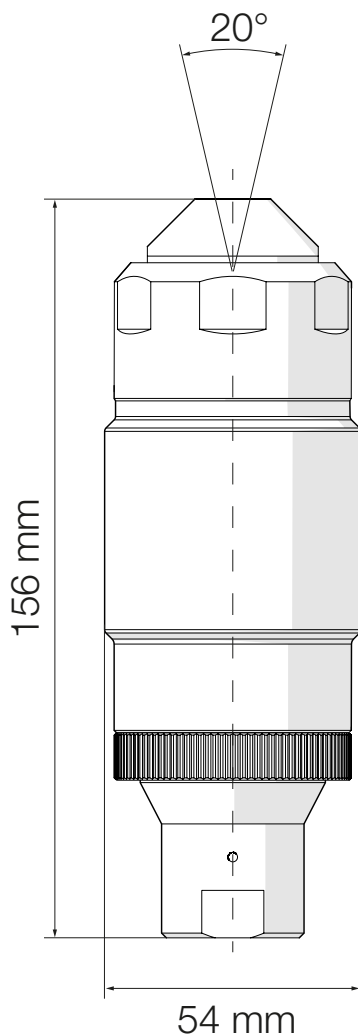
Industrial cleaning

2500 bar

Special features

- ▶ Flexible mounting direction
- ▶ Resistant to dirt

More info



Technical data

Pressure max.:	2500 bar
Spray angle:	20°
Temperature max.:	150 °C
Bearing:	Tungsten carbide
Nozzle:	Tungsten carbide
Nozzle size:	018-110
Flow rate max.:	over 100 l/min-
Length / Diameter:	156 / Ø 54 mm
Weight:	1,6 kg
Connection thread:	G 1/4" IG

PA16-160

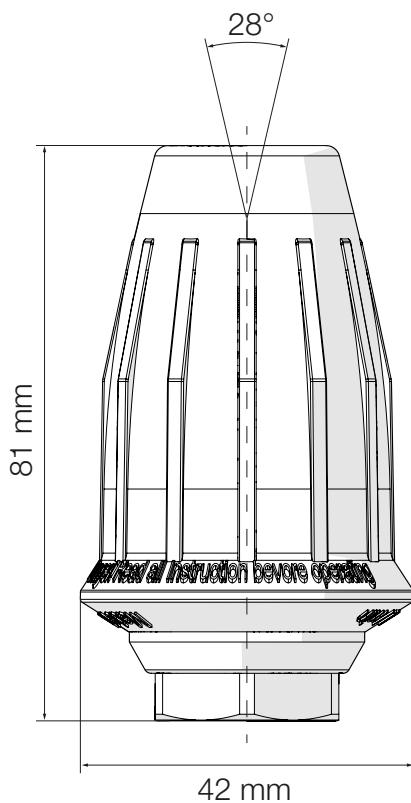


Industrial cleaning

255 bar

Special features

More info



Technical data

Pressure max.:	255 bar
Spray angle:	28°
Temperature max.:	90 °C
Bearing:	Ceramics
Nozzle:	Ceramics
Nozzle size:	025-055
Flow rate max.:	20 l/min
Length / Diameter:	85 / Ø 49 mm
Weight:	0,3 kg
Connection thread:	G 1/4" IG

PA16-170

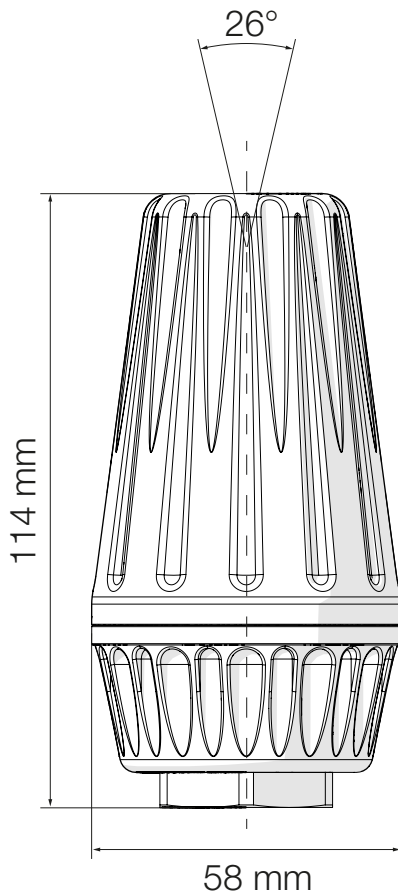


Industrial cleaning

255 bar

Special features

More info



Technical data

Pressure max.:	255 bar
Spray angle:	26°
Temperature max.:	90 °C
Bearing:	Ceramics
Nozzle:	Ceramics
Nozzle size:	020-070
Flow rate max.:	25 l/min
Length / Diameter:	114 / Ø 58 mm
Weight:	0,8 kg
Connection thread:	G 1/4" IG

MA16-165



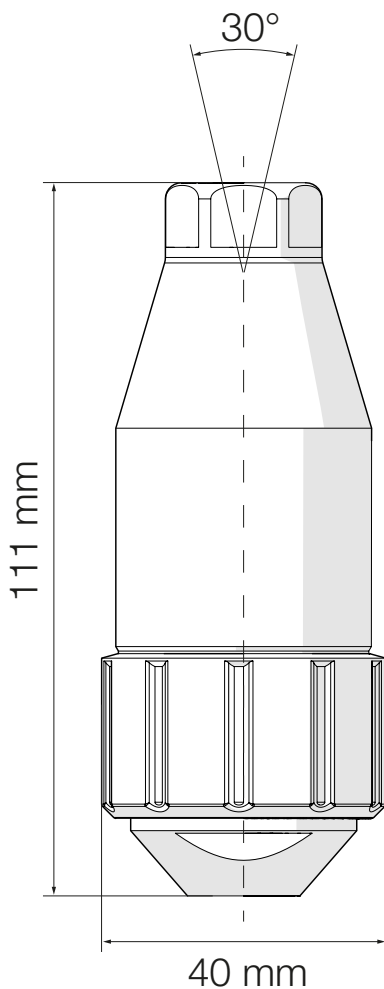
Industrial cleaning

255 bar

Special features

- Speed control

More info



Technical data

Pressure max.:	255 bar
Spray angle:	30°
Temperature max.:	90 °C
Bearing:	Ceramics
Nozzle:	Ceramics
Nozzle size:	020-060
Flow rate max.:	22 l/min
Length / Diameter:	111 / Ø 40 mm
Weight:	0,6 kg
Connection thread:	G 1/4" IG

MA30-125



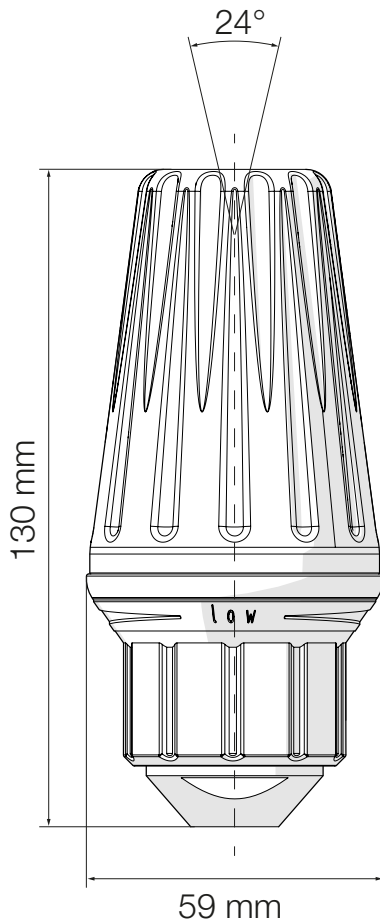
Industrial cleaning

400 bar

Special features

- ▶ Speed control

More info



Technical data

Pressure max.:	400 bar
Spray angle:	24°
Temperature max.:	150 °C
Bearing:	Ceramics
Nozzle:	Ceramics
Nozzle size:	020-100
Flow rate max.:	45 l/min
Length / Diameter:	130 / Ø 59 mm
Weight:	0,8 kg
Connection thread:	G 1/4" IG

MA16-240



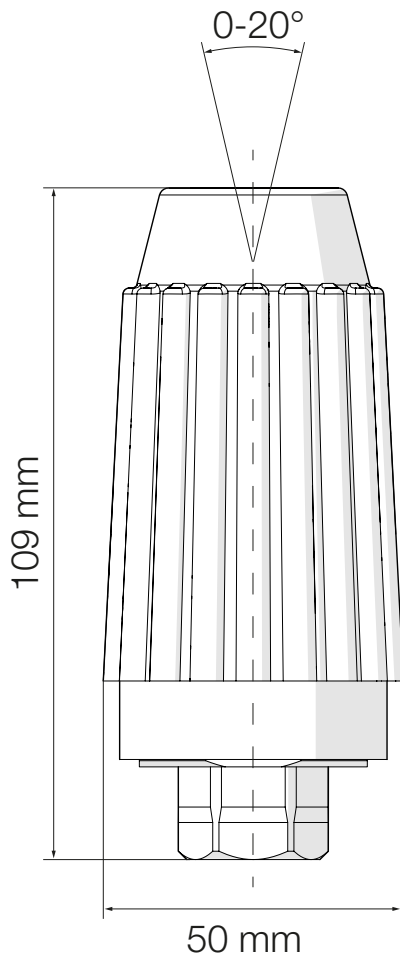
Industrial cleaning

255 bar

Special features

- Spray angle adjustment

More info



Technical data

Pressure max.:	255 bar
Spray angle:	0-20°
Temperature max.:	100 °C
Bearing:	Ceramics
Nozzle:	Ceramics
Nozzle size:	020-180
Flow rate max.:	65 l/min
Length / Diameter:	109 / Ø 50 mm
Weight:	0,5 kg
Connection thread:	G 1/4" IG



Facade cleaning

This catalogue presents our high-quality rotor nozzles, specially designed for facade cleaning.

TEV Jäger GmbH focusses on quality, reliability and efficiency. Our rotor nozzles have been designed to meet the high demands of facade cleaning and offer innovative solutions for effective cleaning.

Discover our wide selection of rotor nozzles that guarantee optimum cleaning performance.

If you have any questions or require individual advice, please do not hesitate to contact us at any time. Your TEV Jäger GmbH Team.

Mehr Infos



RC04-100

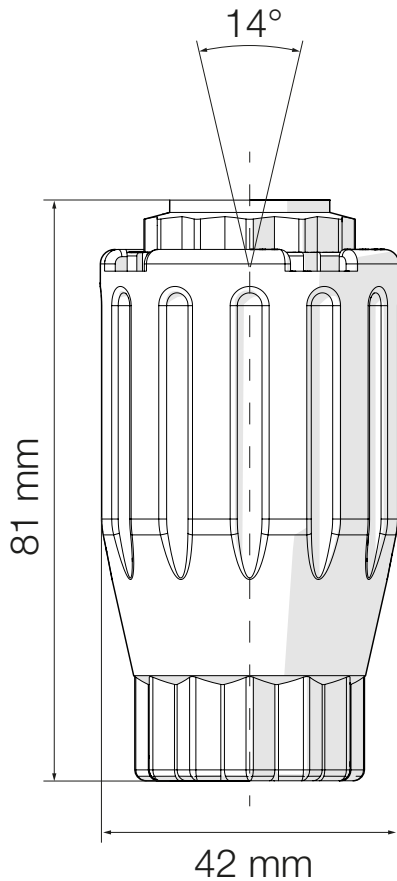


Facade cleaning

130 bar

Special features

More info



Technical data

Pressure max.:	130 bar
Spray angle:	14°
Temperature max.:	40 °C
Bearing:	Ceramics
Nozzle:	Ceramics
Nozzle size:	025-045
Flow rate max.:	12 l/min
Length / Diameter:	81 / Ø 42 mm
Weight:	0,2 kg
Connection thread:	G 1/4" IG

RC04-105

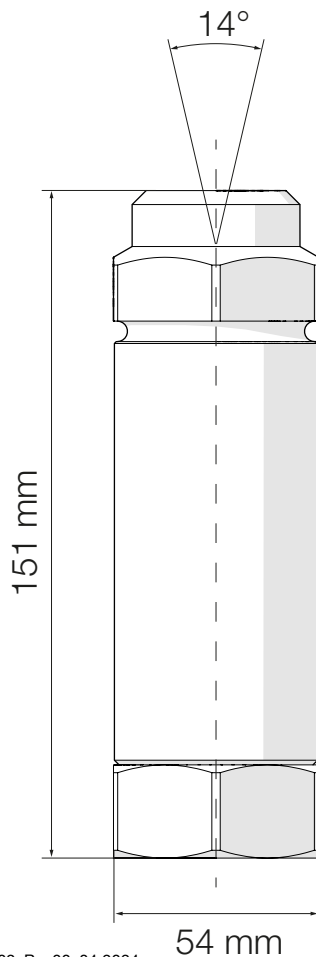


Facade cleaning

130 bar

Special features

More info



Technical data

Pressure max.:	130 bar
Spray angle:	14°
Temperature max.:	40 °C
Bearing:	Kunststoff
Nozzle:	Messing
Nozzle size:	035-045
Flow rate max.:	11 l/min
Length / Diameter:	72 / Ø 25 mm
Weight:	0,2 kg
Connection thread:	G 1/4" IG

RA05-115

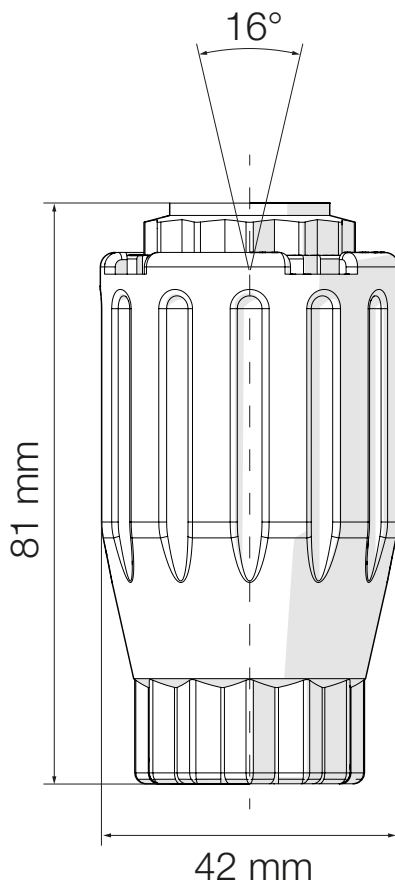


Facade cleaning

150 bar

Special features

More info



Technical data

Pressure max.:	150 bar
Spray angle:	16°
Temperature max.:	90 °C
Bearing:	Ceramics
Nozzle:	Ceramics
Nozzle size:	025-045
Flow rate max.:	12 l/min
Length / Diameter:	81 / Ø 42 mm
Weight:	0,2 kg
Connection thread:	G 1/4" IG

RA05-120



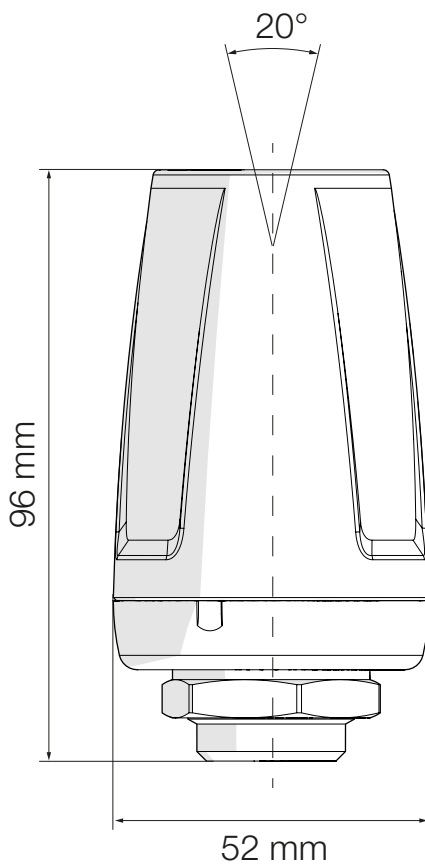
Facade cleaning

150 bar

Special features

- ▶ Flexible mounting direction
- ▶ Resistant to dirt

More info



Technical data

Pressure max.:	150 bar
Spray angle:	20°
Temperature max.:	100 °C
Bearing:	Ceramics
Nozzle:	Ceramics
Nozzle size:	035-070
Flow rate max.:	19 l/min
Length / Diameter:	96 / Ø 52 mm
Weight:	0,3 kg
Connection thread:	G 1/4" IG

RA11-100



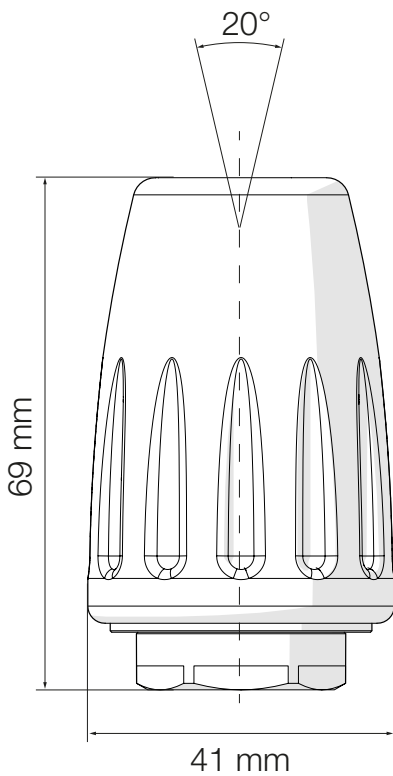
Facade cleaning

210 bar

Special features

- Flexible mounting direction

More info



Technical data

Pressure max.:	210 bar
Spray angle:	20°
Temperature max.:	90 °C
Bearing:	Ceramics
Nozzle:	Ceramics
Nozzle size:	022-045
Flow rate max.:	15 l/min
Length / Diameter:	69 / Ø 41 mm
Weight:	0,2 kg
Connection thread:	G 1/4" IG

RA16-100

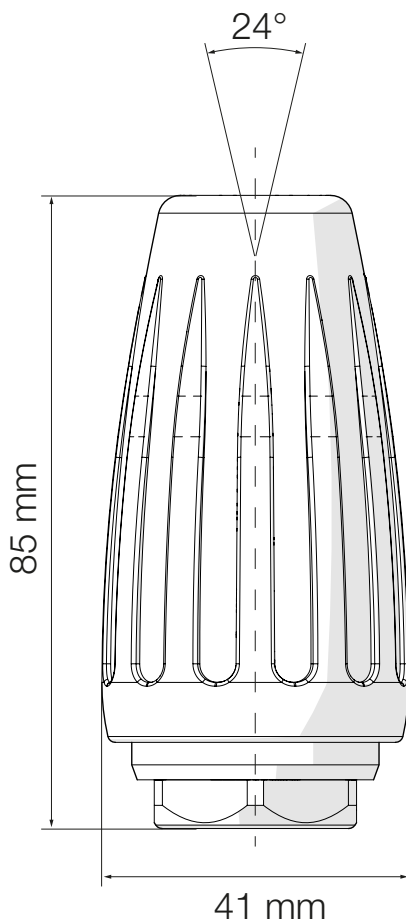


Facade cleaning

255 bar

Special features

More info



Technical data

Pressure max.:	255 bar
Spray angle:	24°
Temperature max.:	90 °C
Bearing:	Ceramics
Nozzle:	Ceramics
Nozzle size:	020-120
Flow rate max.:	44 l/min
Length / Diameter:	85 / Ø 41 mm
Weight:	0,3 kg
Connection thread:	G 1/4" IG

RA16-115



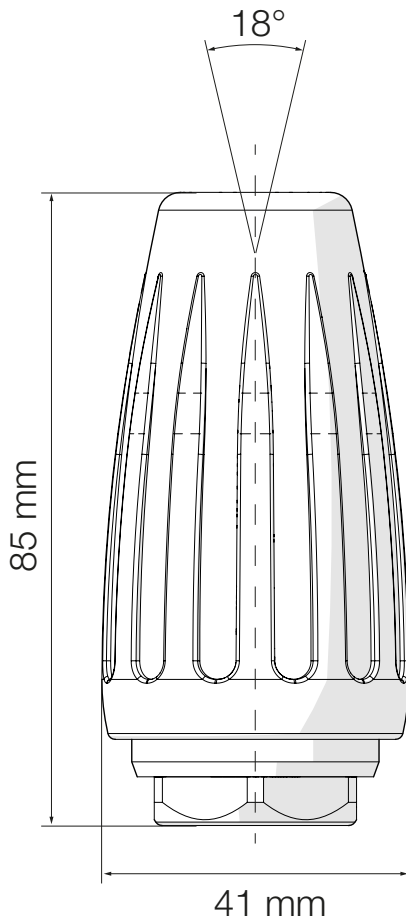
Facade cleaning

255 bar

Special features

- Flexible mounting direction

More info



Technical data

Pressure max.:	255 bar
Spray angle:	18°
Temperature max.:	90 °C
Bearing:	Ceramics
Nozzle:	Ceramics
Nozzle size:	020-110
Flow rate max.:	40 l/min
Length / Diameter:	85 / Ø 41 mm
Weight:	0,3 kg
Connection thread:	G 1/4" IG

RA16-125



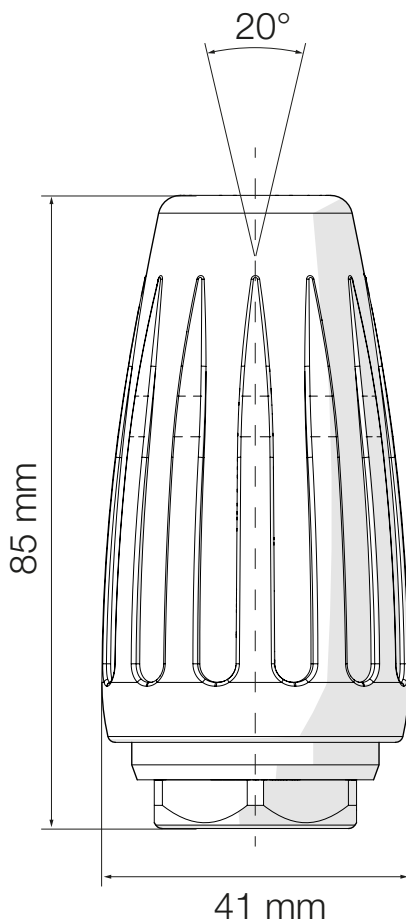
Facade cleaning

255 bar

Special features

- Flexible mounting direction

More info



Technical data

Pressure max.:	255 bar
Spray angle:	20°
Temperature max.:	90 °C
Bearing:	Ceramics
Nozzle:	Ceramics
Nozzle size:	020-100
Flow rate max.:	36 l/min
Length / Diameter:	85 / Ø 41 mm
Weight:	0,3 kg
Connection thread:	G 1/4" IG

RA16-130



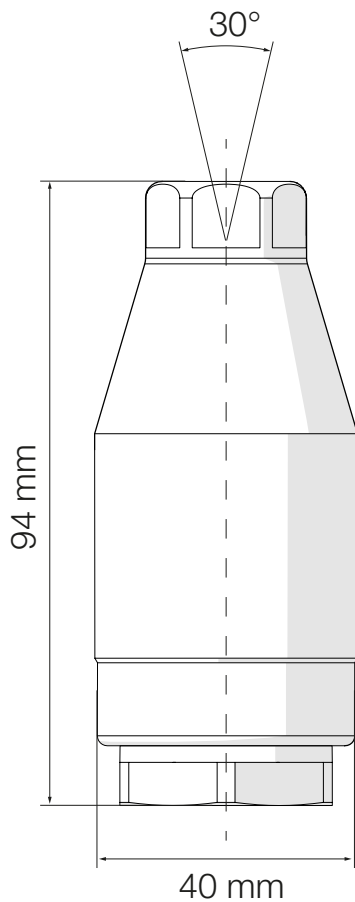
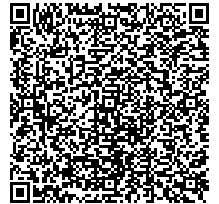
Facade cleaning

255 bar

Special features

- Flexible mounting direction

More info



Technical data

Pressure max.:	255 bar
Spray angle:	30°
Temperature max.:	90 °C
Bearing:	Ceramics
Nozzle:	Ceramics
Nozzle size:	020-085
Flow rate max.:	31 l/min
Length / Diameter:	94 / Ø 40 mm
Weight:	0,45 kg
Connection thread:	G 1/4" IG

RA16-135



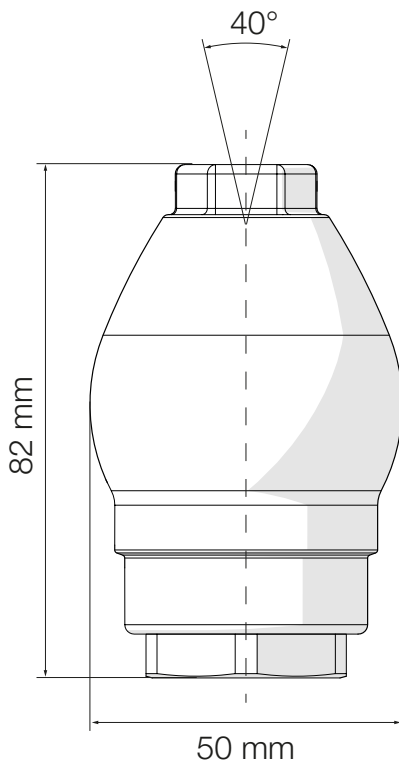
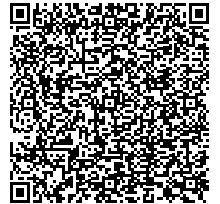
Facade cleaning

255 bar

Special features

- Flexible mounting direction

More info



Technical data

Pressure max.:	255 bar
Spray angle:	40°
Temperature max.:	90 °C
Bearing:	Ceramics
Nozzle:	Ceramics
Nozzle size:	020-055
Flow rate max.:	20 l/min
Length / Diameter:	82 / Ø 50 mm
Weight:	0,5 kg
Connection thread:	G 1/4" IG

RA16-140



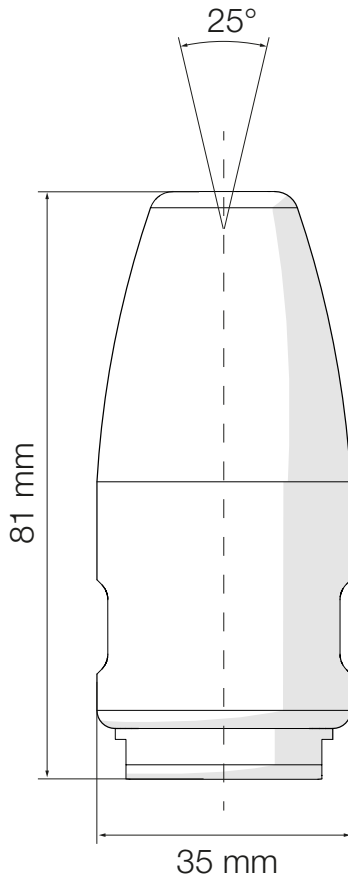
Facade cleaning

255 bar

Special features

- Flexible mounting direction

More info



Technical data

Pressure max.:	255 bar
Spray angle:	25°
Temperature max.:	90 °C
Bearing:	Ceramics
Nozzle:	Ceramics
Nozzle size:	020 - 120
Flow rate max.:	44 l/min
Length / Diameter:	81 / Ø 35 mm
Weight:	0,3 kg
Connection thread:	G 1/4" IG

RA16-175



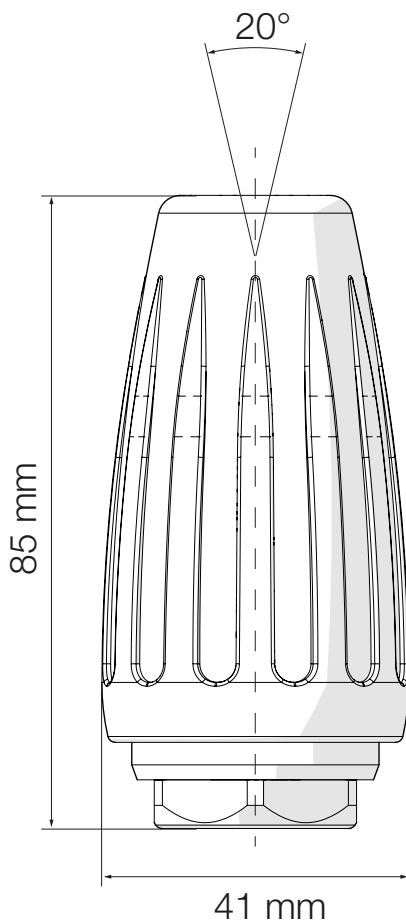
Facade cleaning

255 bar

Special features

- Flexible mounting direction

More info



Technical data

Pressure max.:	255 bar
Spray angle:	24°
Temperature max.:	90 °C
Bearing:	Ceramics
Nozzle:	Ceramics
Nozzle size:	020-120
Flow rate max.:	44 l/min
Length / Diameter:	82 / Ø 50 mm
Weight:	0,5 kg
Connection thread:	G 1/4" IG

RA16-220

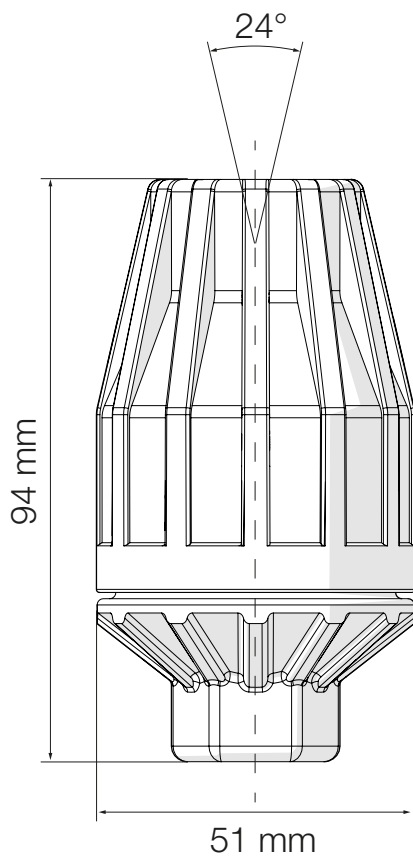


Facade cleaning

255 bar

Special features

More info



Technical data

Pressure max.:	255 bar
Spray angle:	20°
Temperature max.:	90 °C
Bearing:	Ceramics
Nozzle:	Ceramics
Nozzle size:	040-110
Flow rate max.:	40 l/min
Length / Diameter:	94 / Ø 51 mm
Weight:	0,5 kg
Connection thread:	G 1/4" IG

RA18-100



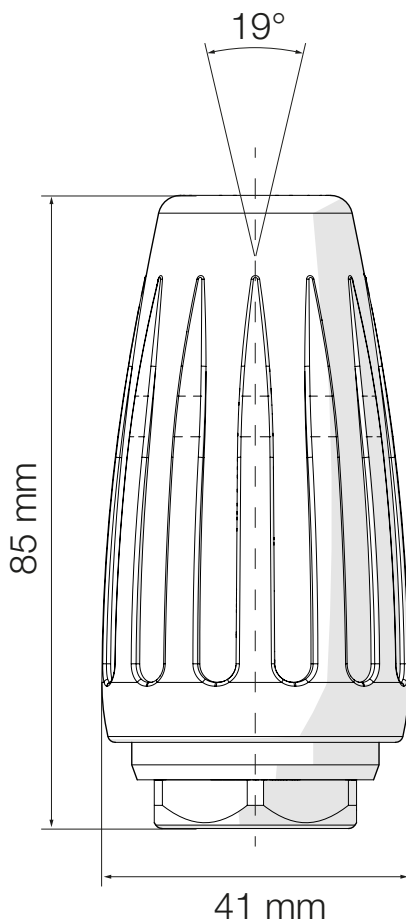
Facade cleaning

280 bar

Special features

- ▶ Flexible mounting direction
- ▶ Resistant to dirt

More info



Technical data

Pressure max.:	280 bar
Spray angle:	19°
Temperature max.:	90 °C
Bearing:	Ceramics
Nozzle:	Ceramics
Nozzle size:	025-085
Flow rate max.:	32 l/min
Length / Diameter:	85 / Ø 41 mm
Weight:	0,3 kg
Connection thread:	G 1/4" IG

RA21-100

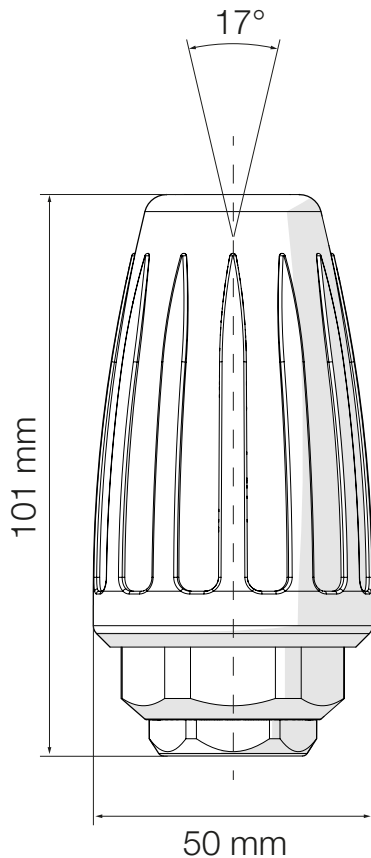


Facade cleaning

310 bar

Special features

More info



Technical data

Pressure max.:	310 bar
Spray angle:	17°
Temperature max.:	90 °C
Bearing:	Ceramics
Nozzle:	Ceramics
Nozzle size:	020 - 060
Flow rate max.:	24 l/min
Length / Diameter:	101 / Ø 50 mm
Weight:	0,5 kg
Connection thread:	G 1/4" IG

MA16-165



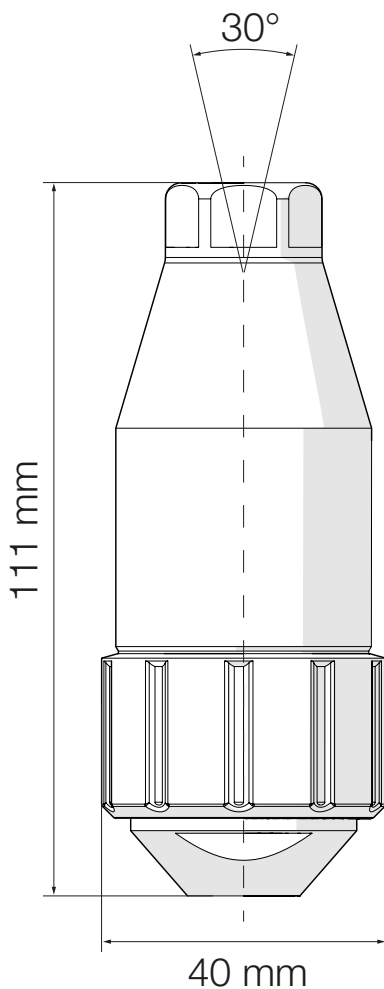
Facade cleaning

255 bar

Special features

- ▶ Speed control

More info



Technical data

Pressure max.:	255 bar
Spray angle:	30°
Temperature max.:	90 °C
Bearing:	Ceramics
Nozzle:	Ceramics
Nozzle size:	020-060
Flow rate max.:	22 l/min
Length / Diameter:	111 / Ø 40 mm
Weight:	0,6 kg
Connection thread:	G 1/4" IG

MA16-240



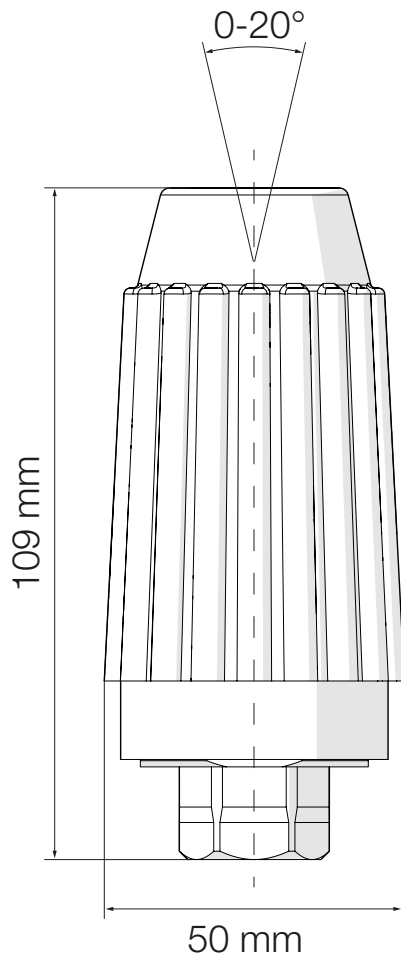
Facade cleaning

255 bar

Special features

- Spray angle adjustment

More info



Technical data

Pressure max.:	255 bar
Spray angle:	0-20°
Temperature max.:	100 °C
Bearing:	Ceramics
Nozzle:	Ceramics
Nozzle size:	020-180
Flow rate max.:	65 l/min
Length / Diameter:	109 / Ø 50 mm
Weight:	0,5 kg
Connection thread:	G 1/4" IG



Agriculture / Forestry

Our range includes an extensive selection of high-quality rotor nozzles, pendulum nozzles and multifunctional nozzles that have been specially developed for the requirements of agriculture and forestry.

TEV Jäger GmbH values quality, reliability and efficiency. Our nozzles are designed to fulfil even the most demanding tasks in agriculture and forestry.

Discover a wide range of nozzles in our catalogue that guarantee optimum performance and are also tailored to the specific needs of these industries.

If you have any questions or require individual advice, please do not hesitate to contact us at any time. Your TEV Jäger GmbH Team.

Mehr Infos



RC04-100

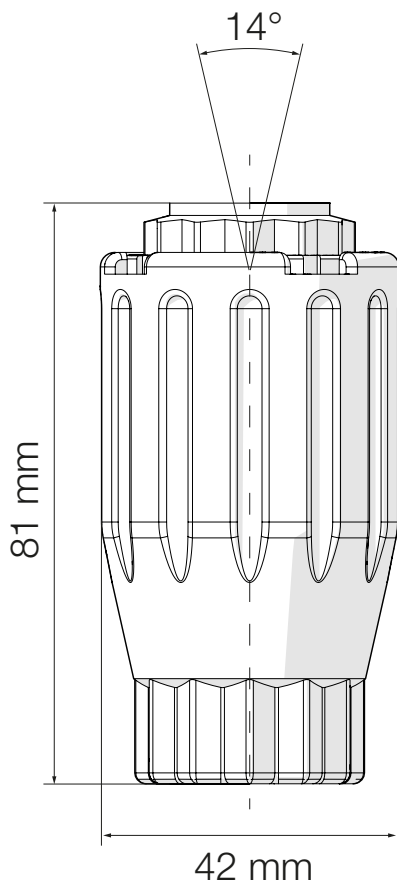


Agriculture and forestry

130 bar

Special features

More info



Technical data

Pressure max.:	130 bar
Spray angle:	14°
Temperature max.:	40 °C
Bearing:	Ceramics
Nozzle:	Ceramics
Nozzle size:	025-045
Flow rate max.:	12 l/min
Length / Diameter:	81 / Ø 42 mm
Weight:	0,2 kg
Connection thread:	G 1/4" IG

RC04-105

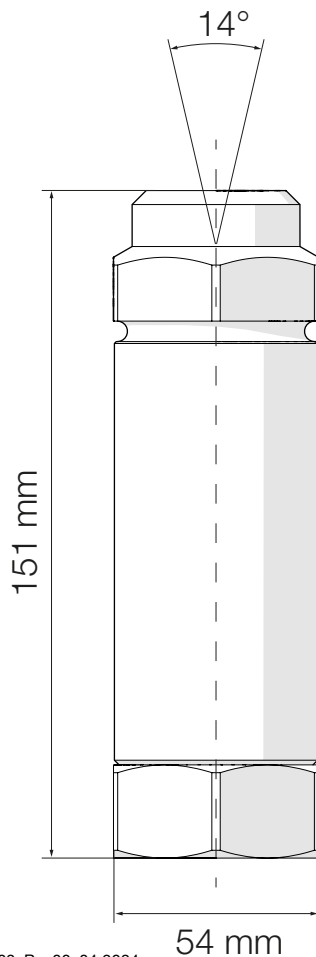


Agriculture and forestry

130 bar

Special features

More info



Technical data

Pressure max.:	130 bar
Spray angle:	14°
Temperature max.:	40 °C
Bearing:	Kunststoff
Nozzle:	Messing
Nozzle size:	035-045
Flow rate max.:	11 l/min
Length / Diameter:	72 / Ø 25 mm
Weight:	0,2 kg
Connection thread:	G 1/4" IG

RA05-115

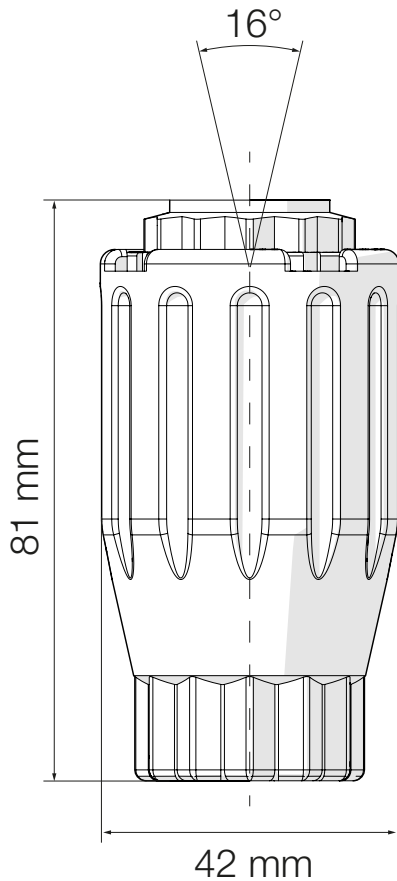


Agriculture and forestry

150 bar

Special features

More info



Technical data

Pressure max.:	150 bar
Spray angle:	16°
Temperature max.:	90 °C
Bearing:	Ceramics
Nozzle:	Ceramics
Nozzle size:	025-045
Flow rate max.:	12 l/min
Length / Diameter:	81 / Ø 42 mm
Weight:	0,2 kg
Connection thread:	G 1/4" IG

RA16-100

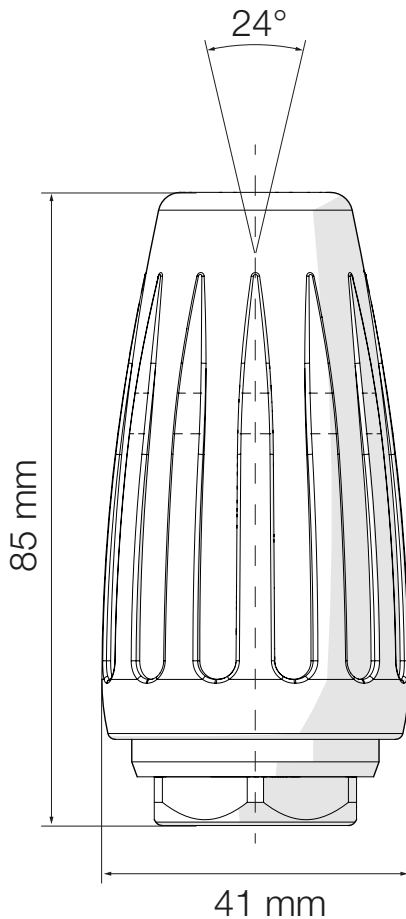


Agriculture and forestry

255 bar

Special features

More info



Technical data

Pressure max.:	255 bar
Spray angle:	24°
Temperature max.:	90 °C
Bearing:	Ceramics
Nozzle:	Ceramics
Nozzle size:	020-120
Flow rate max.:	44 l/min
Length / Diameter:	85 / Ø 41 mm
Weight:	0,3 kg
Connection thread:	G 1/4" IG

RA16-115



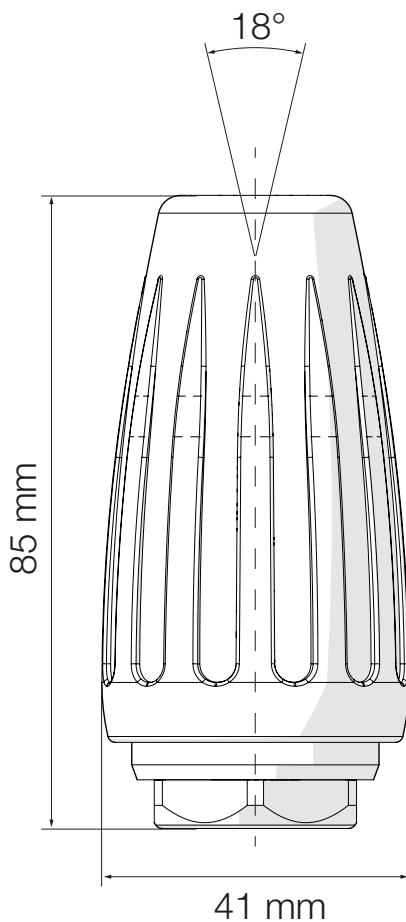
Agriculture and forestry

255 bar

Special features

- Flexible mounting direction

More info



Technical data

Pressure max.:	255 bar
Spray angle:	18°
Temperature max.:	90 °C
Bearing:	Ceramics
Nozzle:	Ceramics
Nozzle size:	020-110
Flow rate max.:	40 l/min
Length / Diameter:	85 / Ø 41 mm
Weight:	0,3 kg
Connection thread:	G 1/4" IG

RA16-125



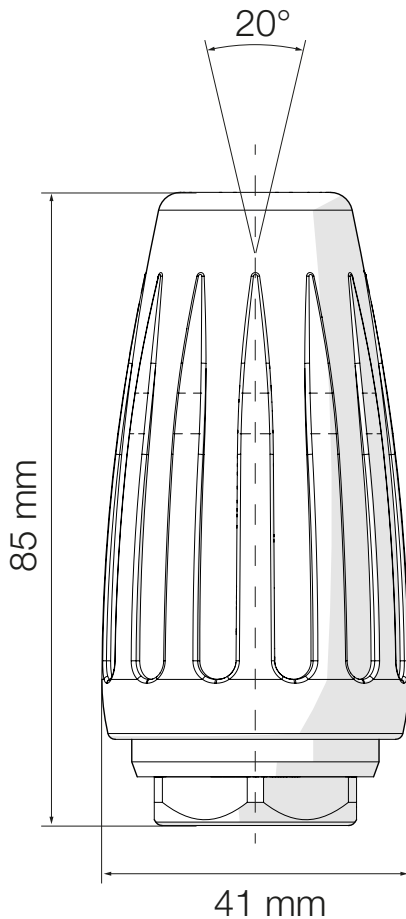
Agriculture and forestry

255 bar

Special features

- Flexible mounting direction

More info



Technical data

Pressure max.:	255 bar
Spray angle:	20°
Temperature max.:	90 °C
Bearing:	Ceramics
Nozzle:	Ceramics
Nozzle size:	020-100
Flow rate max.:	36 l/min
Length / Diameter:	85 / Ø 41 mm
Weight:	0,3 kg
Connection thread:	G 1/4" IG

RA16-130



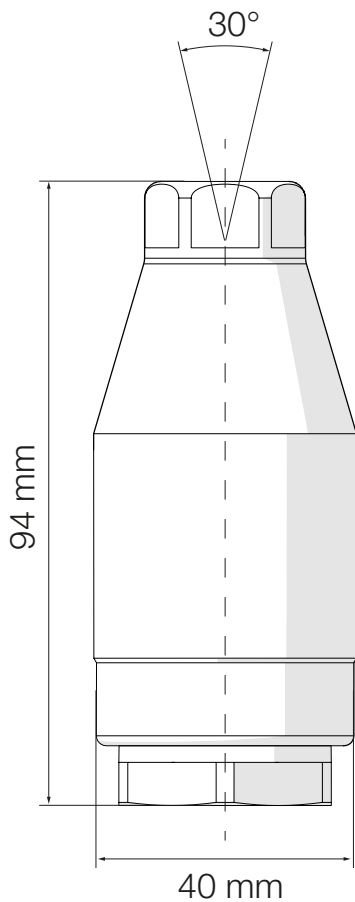
Agriculture and forestry

255 bar

Special features

- Flexible mounting direction

More info



Technical data

Pressure max.:	255 bar
Spray angle:	30°
Temperature max.:	90 °C
Bearing:	Ceramics
Nozzle:	Ceramics
Nozzle size:	020-085
Flow rate max.:	31 l/min
Length / Diameter:	94 / Ø 40 mm
Weight:	0,5 kg
Connection thread:	G 1/4" IG

RA16-140



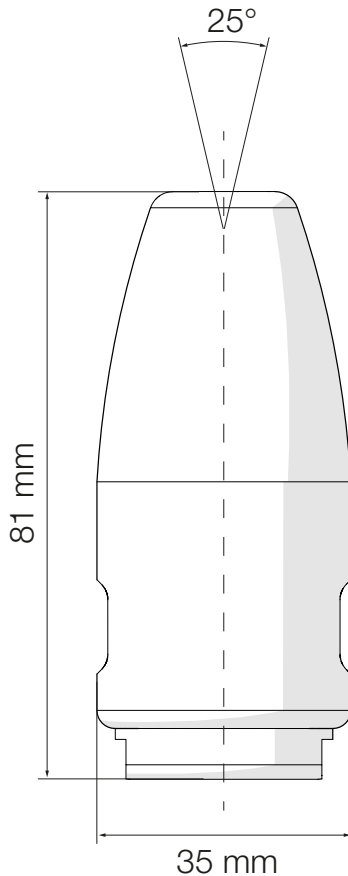
Agriculture and forestry

255 bar

Special features

- Flexible mounting direction

More info



Technical data

Pressure max.:	255 bar
Spray angle:	25°
Temperature max.:	90 °C
Bearing:	Ceramics
Nozzle:	Ceramics
Nozzle size:	020 - 120
Flow rate max.:	44 l/min
Length / Diameter:	81 / Ø 35 mm
Weight:	0,3 kg
Connection thread:	G 1/4" IG

RA16-175



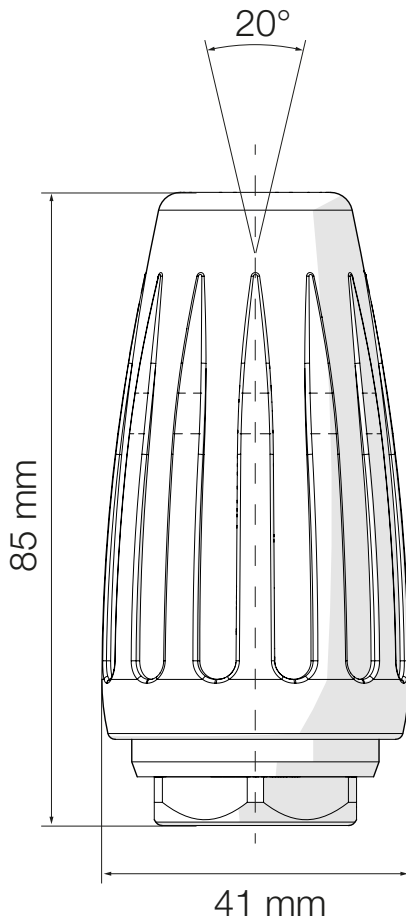
Agriculture and forestry

255 bar

Special features

- ▶ Flexible mounting direction

More info



Technical data

Pressure max.:	255 bar
Spray angle:	24°
Temperature max.:	90 °C
Bearing:	Ceramics
Nozzle:	Ceramics
Nozzle size:	020-120
Flow rate max.:	44 l/min
Length / Diameter:	82 / Ø 50 mm
Weight:	0,5 kg
Connection thread:	G 1/4" IG

RA16-220

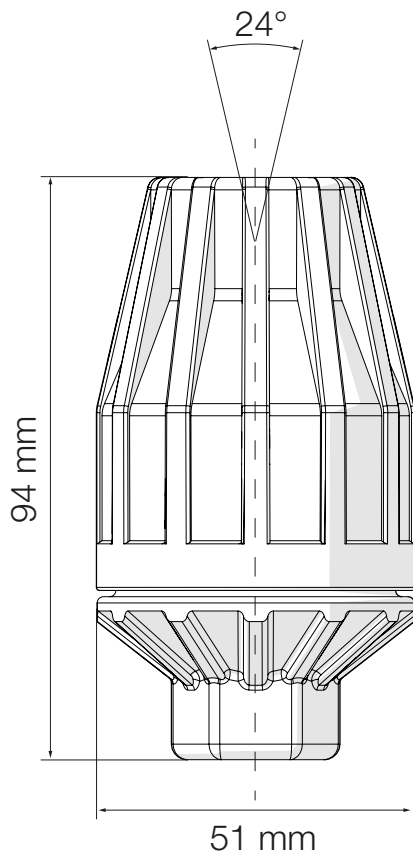


Agriculture and forestry

255 bar

Special features

More info



Technical data

Pressure max.:	255 bar
Spray angle:	20°
Temperature max.:	90 °C
Bearing:	Ceramics
Nozzle:	Ceramics
Nozzle size:	040-110
Flow rate max.:	40 l/min
Length / Diameter:	94 / Ø 51 mm
Weight:	0,5 kg
Connection thread:	G 1/4" IG

RA18-100



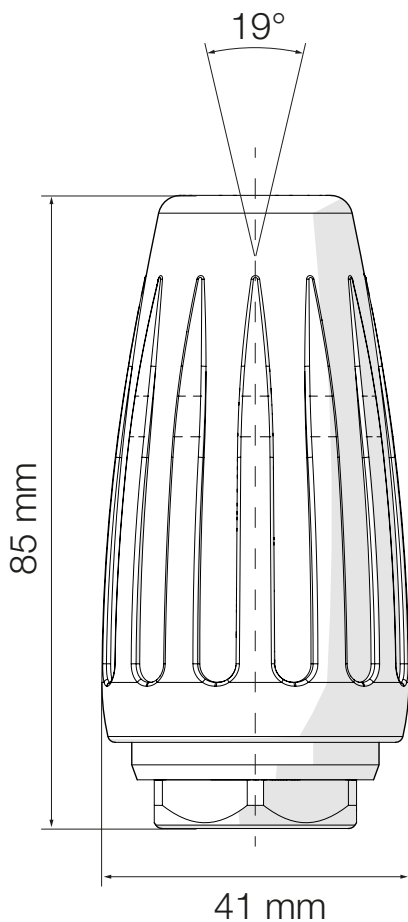
Agriculture and forestry

280 bar

Special features

- ▶ Flexible mounting direction
- ▶ Resistant to dirt

More info



Technical data

Pressure max.:	280 bar
Spray angle:	19°
Temperature max.:	90 °C
Bearing:	Ceramics
Nozzle:	Ceramics
Nozzle size:	025-085
Flow rate max.:	32 l/min
Length / Diameter:	85 / Ø 41 mm
Weight:	0,3 kg
Connection thread:	G 1/4" IG

RA21-100

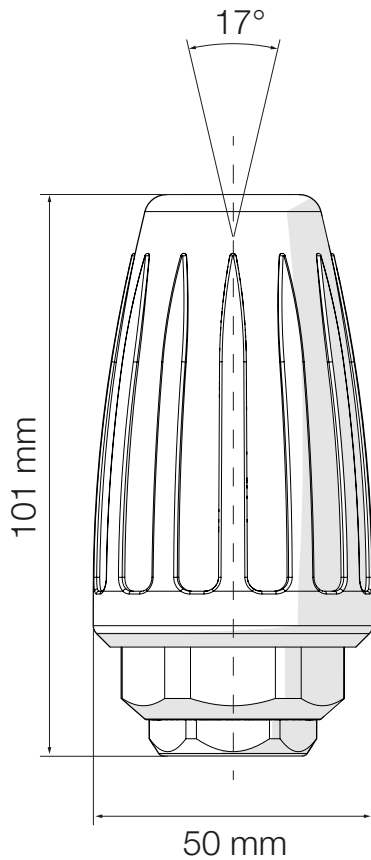


Agriculture and forestry

310 bar

Special features

More info



Technical data

Pressure max.:	310 bar
Spray angle:	17°
Temperature max.:	90 °C
Bearing:	Ceramics
Nozzle:	Ceramics
Nozzle size:	020 - 060
Flow rate max.:	24 l/min
Length / Diameter:	101 / Ø 50 mm
Weight:	0,5 kg
Connection thread:	G 1/4" IG

RA30-100

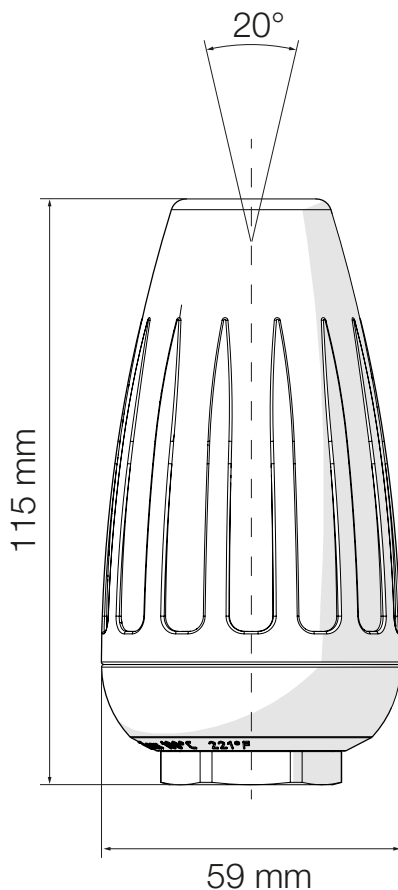


Agriculture and forestry

400 bar

Special features

More info



Technical data

Pressure max.:	400 bar
Spray angle:	20°
Temperature max.:	90 °C
Bearing:	Ceramics
Nozzle:	Ceramics
Nozzle size:	020 - 200
Flow rate max.:	86 l/min
Length / Diameter:	115 / Ø 59 mm
Weight:	0,8 kg
Connection thread:	G 1/4" IG

RA30-110

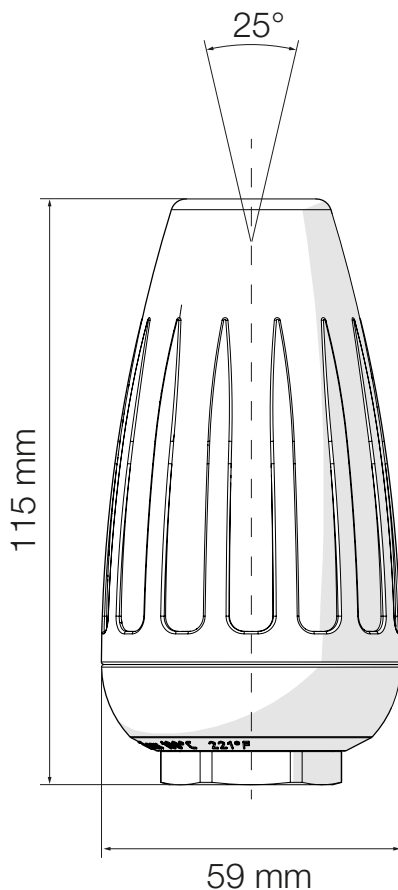


Agriculture and forestry

400 bar

Special features

More info



Technical data

Pressure max.:	400 bar
Spray angle:	25°
Temperature max.:	90 °C
Bearing:	Ceramics
Nozzle:	Ceramics
Nozzle size:	020-200
Flow rate max.:	92 l/min
Length / Diameter:	115 / Ø 59 mm
Weight:	0,8 kg
Connection thread:	G 1/4" IG

RA30-115



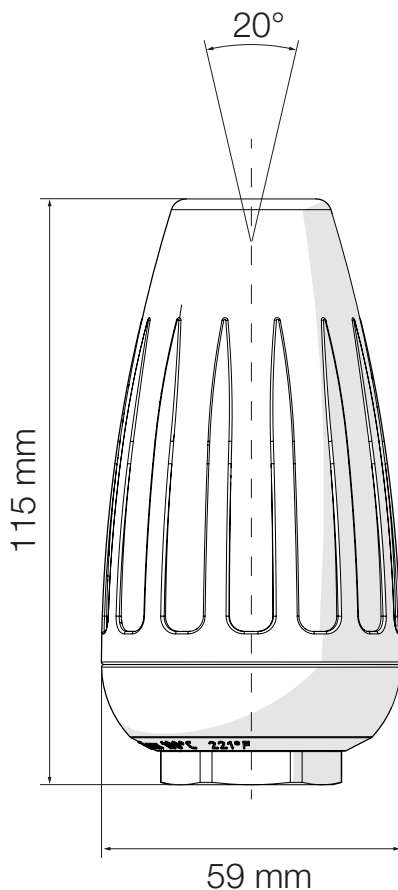
Agriculture and forestry

400 bar

Special features

- Higher material removal rate

More info



Technical data

Pressure max.:	400 bar
Spray angle:	20°
Temperature max.:	90 °C
Bearing:	Ceramics
Nozzle:	Ceramics
Nozzle size:	020 - 060
Flow rate max.:	26 l/min
Length / Diameter:	115 / Ø 59 mm
Weight:	0,8 kg
Connection thread:	G 1/4" IG

RA30-120

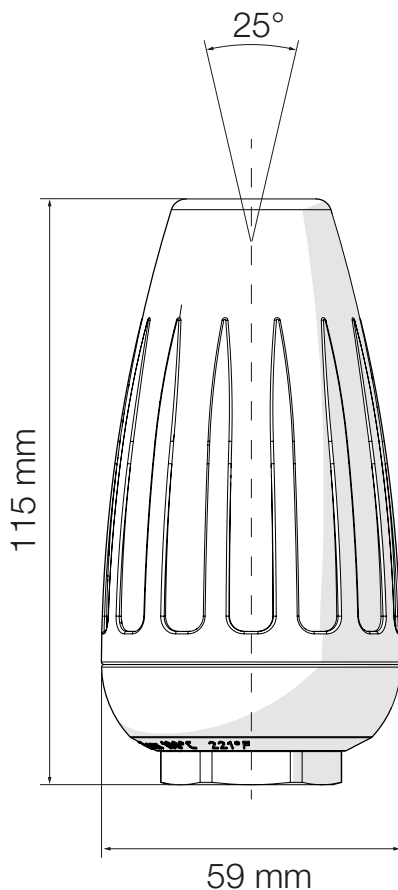


Agriculture and forestry

400 bar

Special features

More info



Technical data

Pressure max.:	400 bar
Spray angle:	25°
Temperature max.:	150 °C
Bearing:	Ceramics
Nozzle:	Ceramics
Nozzle size:	020 - 200
Flow rate max.:	86 l/min
Length / Diameter:	115 / Ø 59 mm
Weight:	0,8 kg
Connection thread:	G 1/4" IG

PA16-160

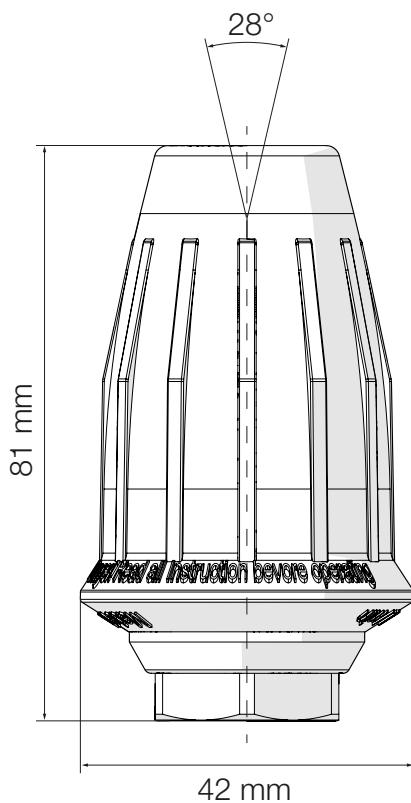


Agriculture and forestry

255 bar

Special features

More info



Technical data

Pressure max.:	255 bar
Spray angle:	28°
Temperature max.:	90 °C
Bearing:	Ceramics
Nozzle:	Ceramics
Nozzle size:	025-055
Flow rate max.:	20 l/min
Length / Diameter:	85 / Ø 49 mm
Weight:	0,3 kg
Connection thread:	G 1/4" IG

MA16-165



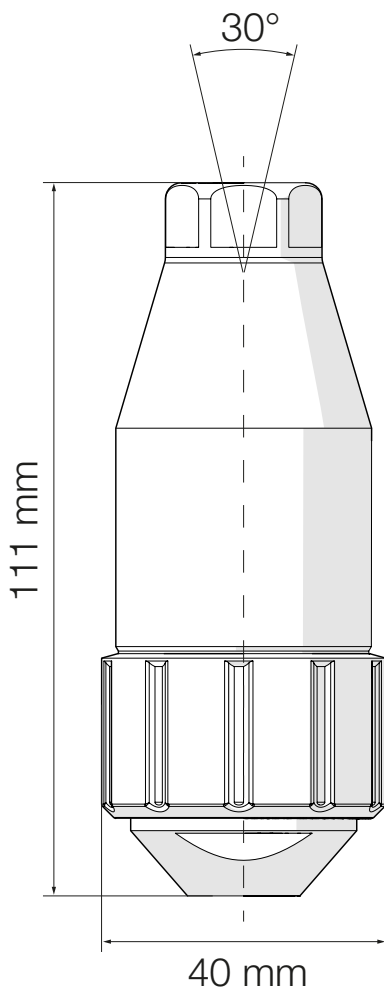
Agriculture and forestry

255 bar

Special features

- ▶ Speed control

More info



Technical data

Pressure max.:	255 bar
Spray angle:	30°
Temperature max.:	90 °C
Bearing:	Ceramics
Nozzle:	Ceramics
Nozzle size:	020-060
Flow rate max.:	22 l/min
Length / Diameter:	111 / Ø 40 mm
Weight:	0,6 kg
Connection thread:	G 1/4" IG

MA30-125



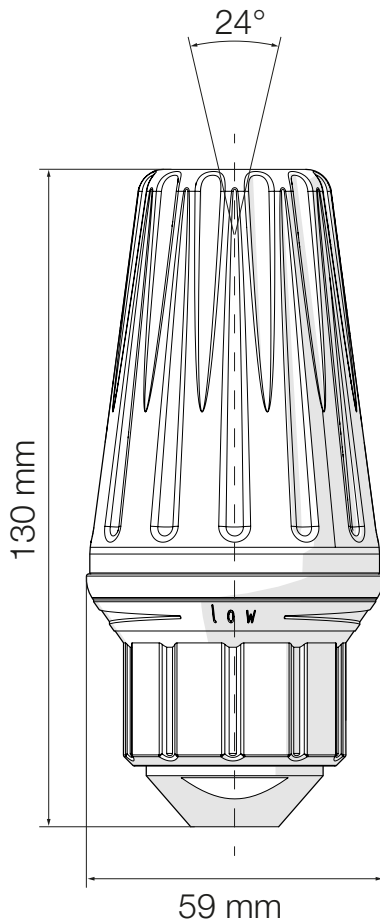
Agriculture and forestry

400 bar

Special features

- ▶ Speed control

More info



Technical data

Pressure max.:	400 bar
Spray angle:	24°
Temperature max.:	150 °C
Bearing:	Ceramics
Nozzle:	Ceramics
Nozzle size:	020-100
Flow rate max.:	45 l/min
Length / Diameter:	130 / Ø 59 mm
Weight:	0,8 kg
Connection thread:	G 1/4" IG



Sewer + pipe cleaning

Our range includes an extensive selection of high-quality nozzles specially designed for sewer and pipe cleaning.

TEV Jäger GmbH values quality, reliability and efficiency. Our nozzles are developed to fulfil even the most demanding cleaning tasks in sewers and pipes.

Discover a wide range of nozzles in our catalogue that guarantee optimum cleaning

performance and are also tailored to the specific requirements of sewer and pipe cleaning.

If you have any questions or require individual advice, please do not hesitate to contact us at any time. Your TEV Jäger GmbH Team.

Mehr Infos



KA05-100



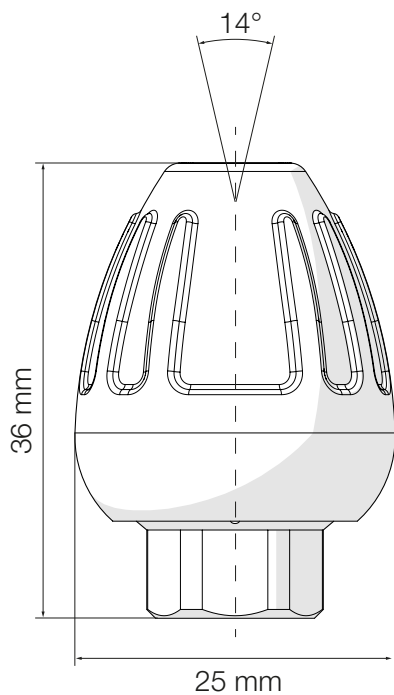
Sewer + pipe cleaning

150 bar

Special features

- ▶ Flexible mounting direction
- ▶ Resistant to dirt

More info



Technical data

Pressure max.:	150 bar
Spray angle:	14°
Temperature max.:	40 °C
Bearing:	Ceramics
Nozzle:	Ceramics
Nozzle size:	040, 060
Flow rate max.:	17 l/min
Length / Diameter:	36 / Ø 25 mm
Weight:	0,2 kg
Connection thread:	G 1/8" IG

KA05-105



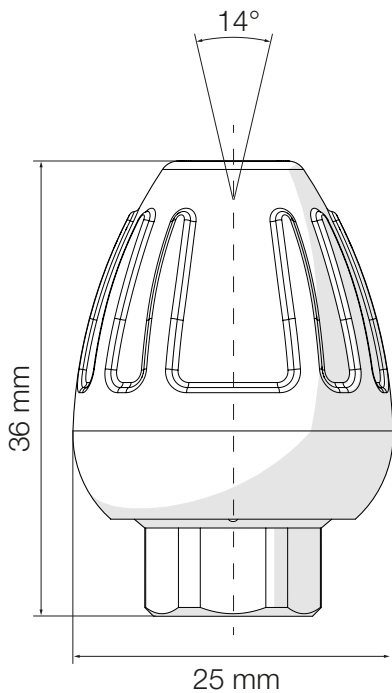
Sewer + pipe cleaning

150 bar

Special features

- ▶ Flexible mounting direction
- ▶ Resistant to dirt

More info



Technical data

Pressure max.:	150 bar
Spray angle:	19°
Temperature max.:	40 °C
Bearing:	Ceramics
Nozzle:	Ceramics
Nozzle size:	040, 060
Flow rate max.:	17 l/min
Length / Diameter:	43 / Ø 30 mm
Weight:	0,2 kg
Connection thread:	G 1/8" IG

KA05-110



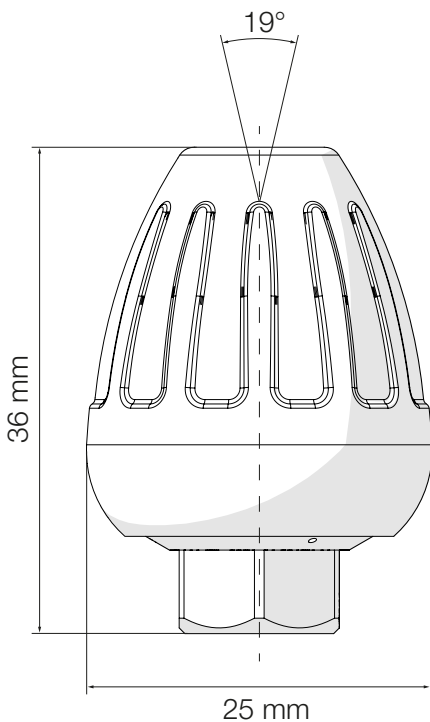
Sewer + pipe cleaning

150 bar

Special features

- ▶ Flexible mounting direction
- ▶ Resistant to dirt

More info



Technical data

Pressure max.:	150 bar
Spray angle:	19°
Temperature max.:	40 °C
Bearing:	Ceramics
Nozzle:	Ceramics
Nozzle size:	040, 060
Flow rate max.:	17 l/min
Length / Diameter:	48 / Ø 35 mm
Weight:	0,2 kg
Connection thread:	G 1/8" IG

KA20-100



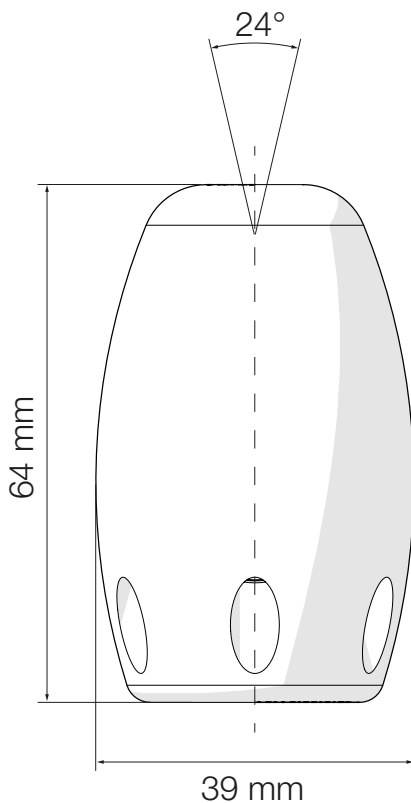
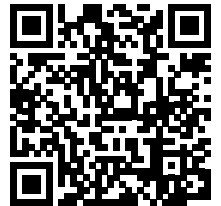
Sewer + pipe cleaning

300 bar

Special features

- ▶ Flexible mounting direction
- ▶ Resistant to dirt

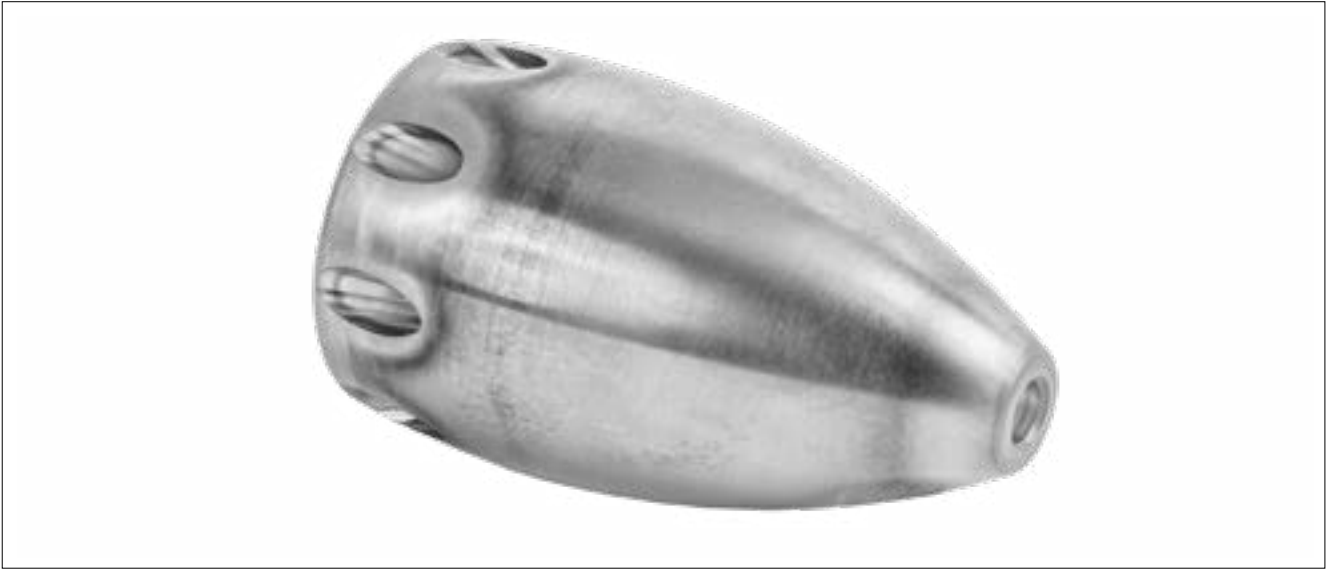
More info



Technical data

Pressure max.:	300 bar
Spray angle:	24°
Temperature max.:	90 °C
Bearing:	Ceramics
Nozzle:	Ceramics
Nozzle size:	020, 040, 060
Flow rate max.:	24 l/min
Length / Diameter:	64 / Ø 39 mm
Weight:	0,4 kg
Connection thread:	G 1/2" IG

KA20-105



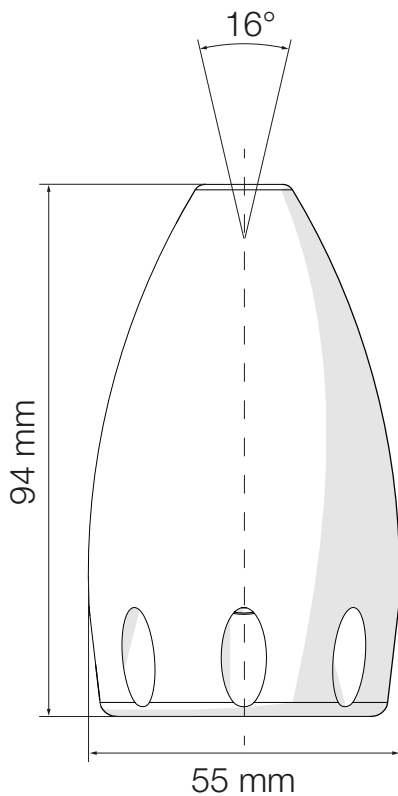
Sewer + pipe cleaning

300 bar

Special features

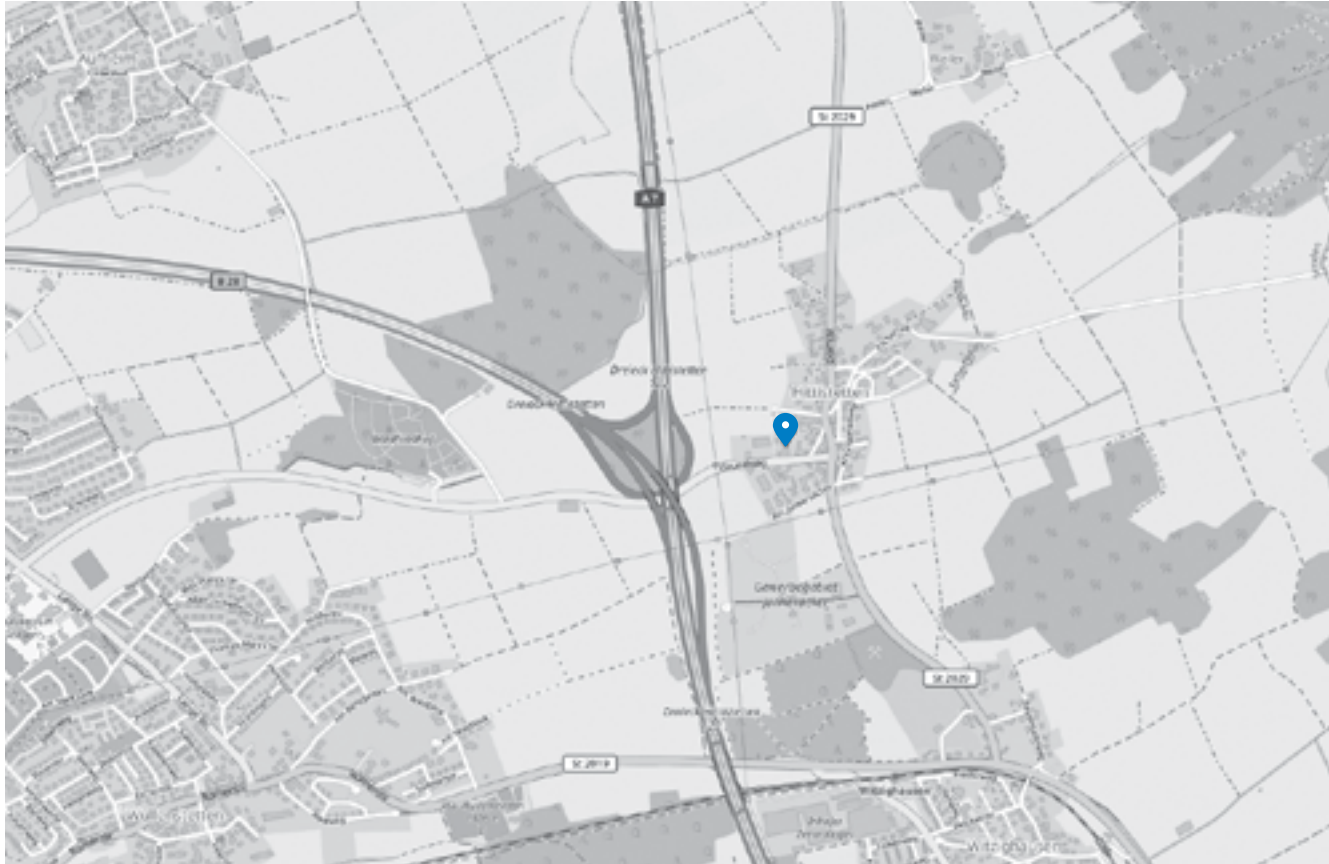
- ▶ Flexible mounting direction
- ▶ Resistant to dirt

More info



Technical data

Pressure max.:	300 bar
Spray angle:	16°
Temperature max.:	90 °C
Bearing:	Ceramics
Nozzle:	Ceramics
Nozzle size:	075, 120, 200
Flow rate max.:	180 l/min
Length / Diameter:	94 / Ø 55 mm
Weight:	0,8 kg
Connection thread:	G 1" IG



Contact / Directions

Central

Phone: +49 7307 976060
Fax: +49 7307 9760620
Central: Info@tev-jaeger.de

TEV Jäger GmbH
Grundweg 10
89250 Senden-Germnay

Opening hours
Mon - Thu: 8 am - 4 pm | Fri: 8 am - 1 pm

Internal sales department

Mon-Fri: 8 am - 12 pm
Phone: +49 7307 9760614
Orders: bestellung@tev-jaeger.de

Sales & Consultancy

Mon-Thu: 8 am - 4 pm | Fri: 8 am - 12 pm
Phone: +49 7307 9760621
Consultancy: vertrieb@tev-jaeger.de

To the contact form

