

KA05-100



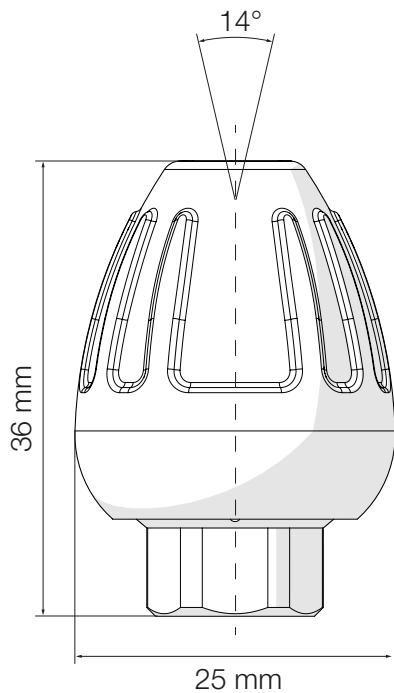
Sewer + pipe cleaning

150 bar

Special features

- ▶ Flexible mounting direction
- ▶ Resistant to dirt

More info



Technical data

Pressure max.:	150 bar
Spray angle:	14°
Temperature max.:	40 °C
Bearing:	Ceramics
Nozzle:	Ceramics
Nozzle size:	040, 060
Flow rate max.:	17 l/min
Length / Diameter:	36 / Ø 25 mm
Weight:	0,2 kg
Connection thread:	G 1/8" IG

KA05-105



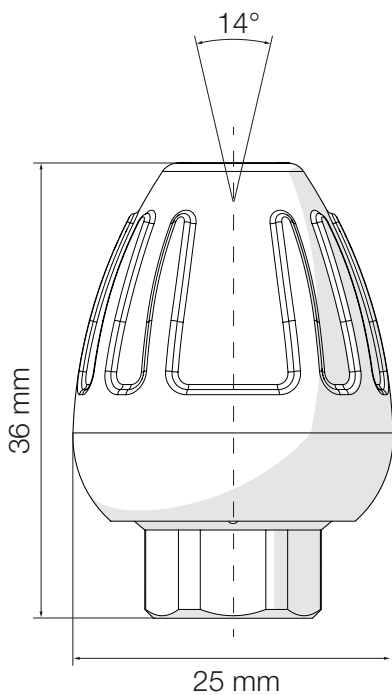
Sewer + pipe cleaning

150 bar

Special features

- ▶ Flexible mounting direction
- ▶ Resistant to dirt

More info



Technical data

Pressure max.:	150 bar
Spray angle:	19°
Temperature max.:	40 °C
Bearing:	Ceramics
Nozzle:	Ceramics
Nozzle size:	040, 060
Flow rate max.:	17 l/min
Length / Diameter:	43 / Ø 30 mm
Weight:	0,2 kg
Connection thread:	G 1/8" IG

KA05-110



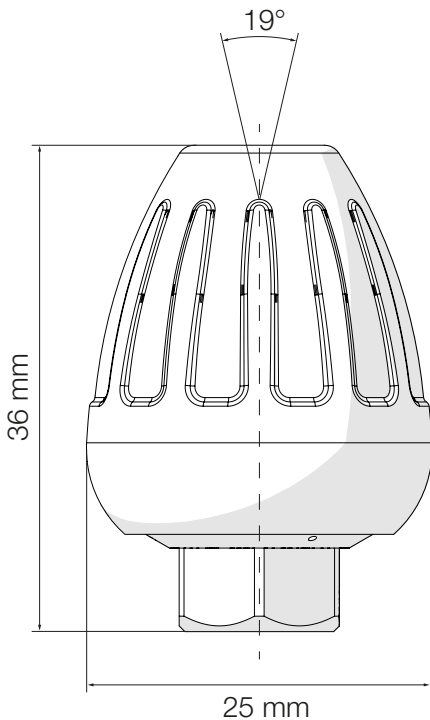
Sewer + pipe cleaning

150 bar

Special features

- ▶ Flexible mounting direction
- ▶ Resistant to dirt

More info



Technical data

Pressure max.:	150 bar
Spray angle:	19°
Temperature max.:	40 °C
Bearing:	Ceramics
Nozzle:	Ceramics
Nozzle size:	040, 060
Flow rate max.:	17 l/min
Length / Diameter:	48 / Ø 35 mm
Weight:	0,2 kg
Connection thread:	G 1/8" IG

KA20-100



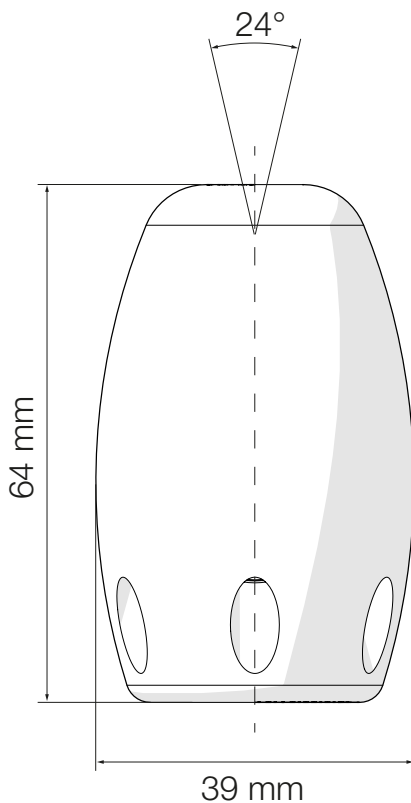
Sewer + pipe cleaning

300 bar

Special features

- ▶ Flexible mounting direction
- ▶ Resistant to dirt

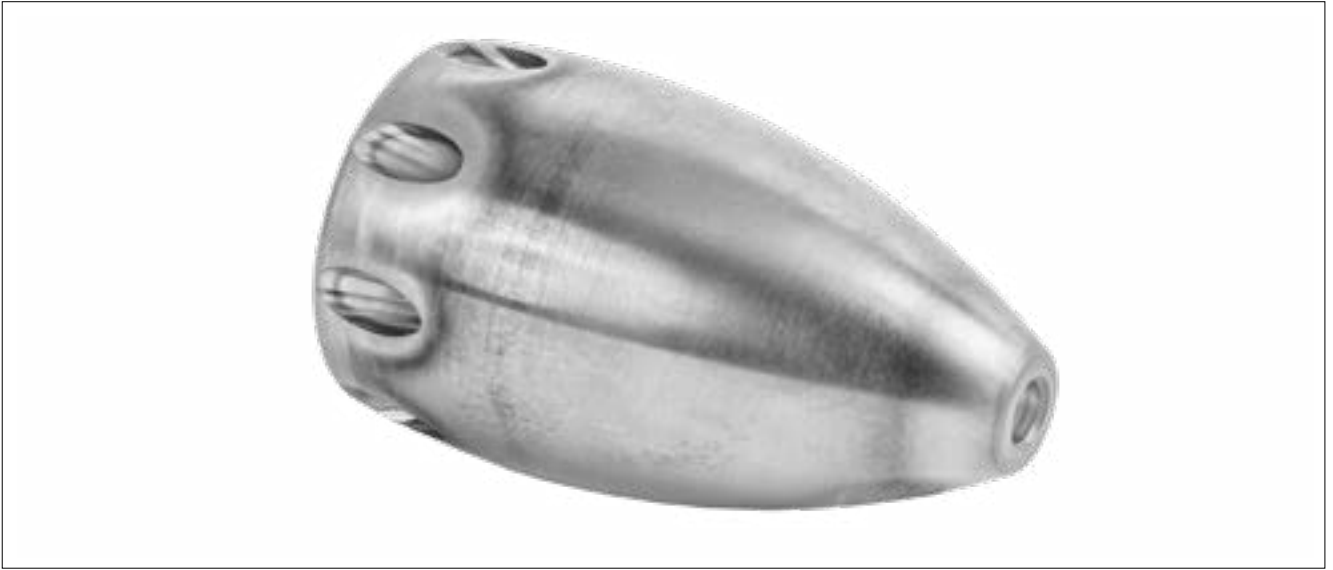
More info



Technical data

Pressure max.:	300 bar
Spray angle:	24°
Temperature max.:	90 °C
Bearing:	Ceramics
Nozzle:	Ceramics
Nozzle size:	020, 040, 060
Flow rate max.:	24 l/min
Length / Diameter:	64 / Ø 39 mm
Weight:	0,4 kg
Connection thread:	G 1/2" IG

KA20-105



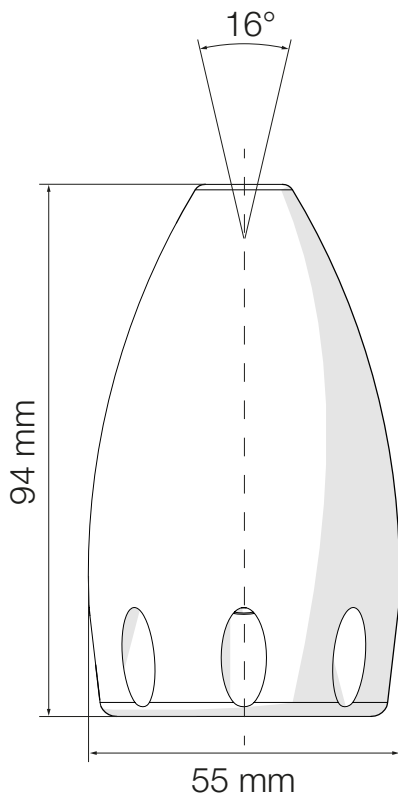
Sewer + pipe cleaning

300 bar

Special features

- ▶ Flexible mounting direction
- ▶ Resistant to dirt

More info



Technical data

Pressure max.:	300 bar
Spray angle:	16°
Temperature max.:	90 °C
Bearing:	Ceramics
Nozzle:	Ceramics
Nozzle size:	075, 120, 200
Flow rate max.:	180 l/min
Length / Diameter:	94 / Ø 55 mm
Weight:	0,8 kg
Connection thread:	G 1" IG