

RA16-100

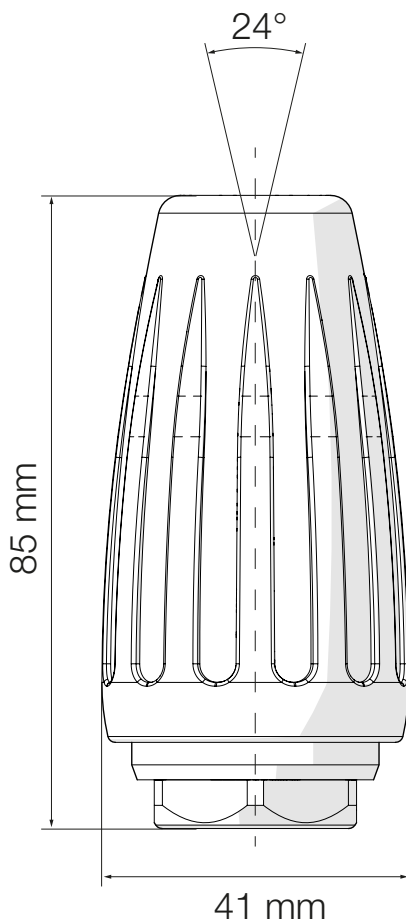


Industrial cleaning

255 bar

Special features

More info



Technical data

Pressure max.:	255 bar
Spray angle:	24°
Temperature max.:	90 °C
Bearing:	Ceramics
Nozzle:	Ceramics
Nozzle size:	020-120
Flow rate max.:	44 l/min
Length / Diameter:	85 / Ø 41 mm
Weight:	0,3 kg
Connection thread:	G 1/4" IG

RA16-110



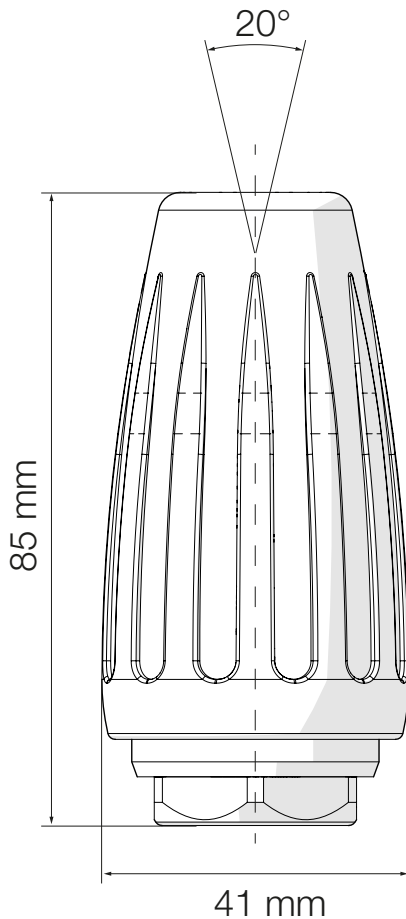
Industrial cleaning

255 bar

Special features

- ▶ Flexible mounting direction
- ▶ Resistant to dirt

More info



Technical data

Pressure max.:	255 bar
Spray angle:	20°
Temperature max.:	90 °C
Bearing:	Ceramics
Nozzle:	Ceramics
Nozzle size:	020-100
Flow rate max.:	36 l/min
Length / Diameter:	85 / Ø 41 mm
Weight:	0,3 kg
Connection thread:	G 1/4" IG

RA16-115



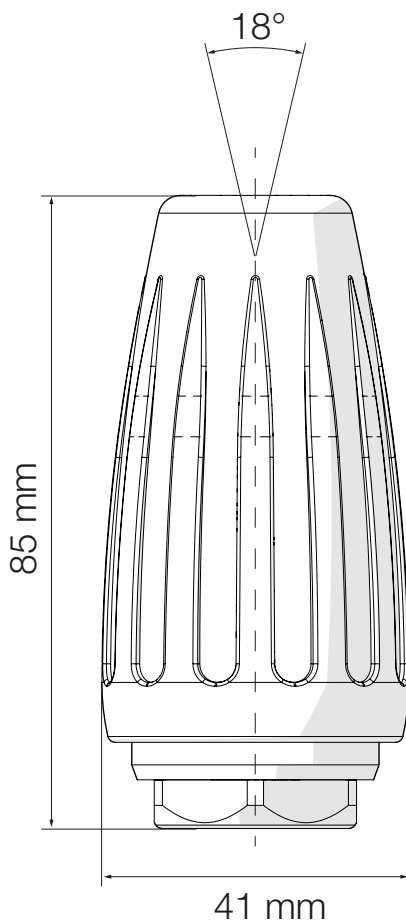
Industrial cleaning

255 bar

Special features

- Flexible mounting direction

More info



Technical data

Pressure max.:	255 bar
Spray angle:	18°
Temperature max.:	90 °C
Bearing:	Ceramics
Nozzle:	Ceramics
Nozzle size:	020-110
Flow rate max.:	40 l/min
Length / Diameter:	85 / Ø 41 mm
Weight:	0,3 kg
Connection thread:	G 1/4" IG

RA16-125



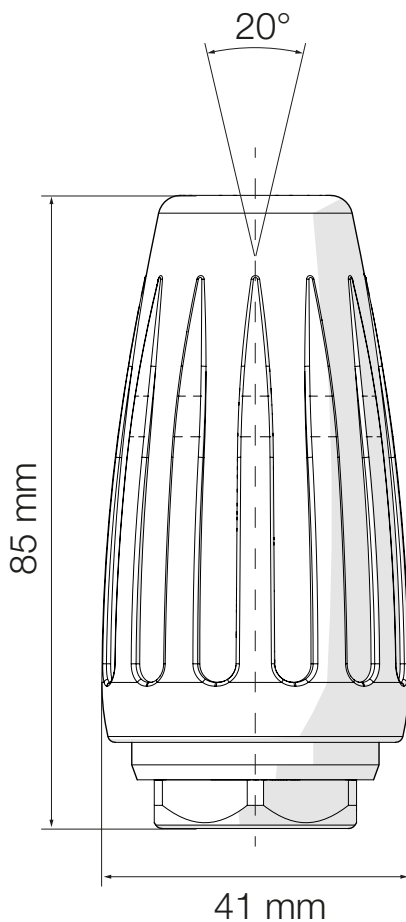
Industrial cleaning

255 bar

Special features

- Flexible mounting direction

More info



Technical data

Pressure max.:	255 bar
Spray angle:	20°
Temperature max.:	90 °C
Bearing:	Ceramics
Nozzle:	Ceramics
Nozzle size:	020-100
Flow rate max.:	36 l/min
Length / Diameter:	85 / Ø 41 mm
Weight:	0,3 kg
Connection thread:	G 1/4" IG

RA16-130



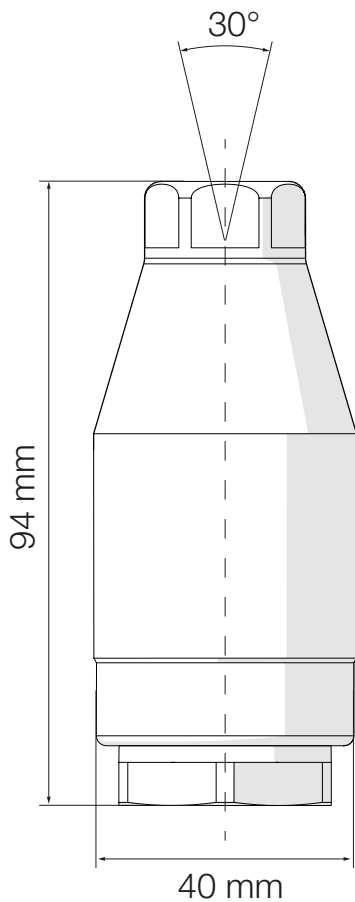
Industrial cleaning

255 bar

Special features

- Flexible mounting direction

More info



Technical data

Pressure max.:	255 bar
Spray angle:	30°
Temperature max.:	90 °C
Bearing:	Ceramics
Nozzle:	Ceramics
Nozzle size:	020-085
Flow rate max.:	31 l/min
Length / Diameter:	94 / Ø 40 mm
Weight:	0,5 kg
Connection thread:	G 1/4" IG

RA16-135



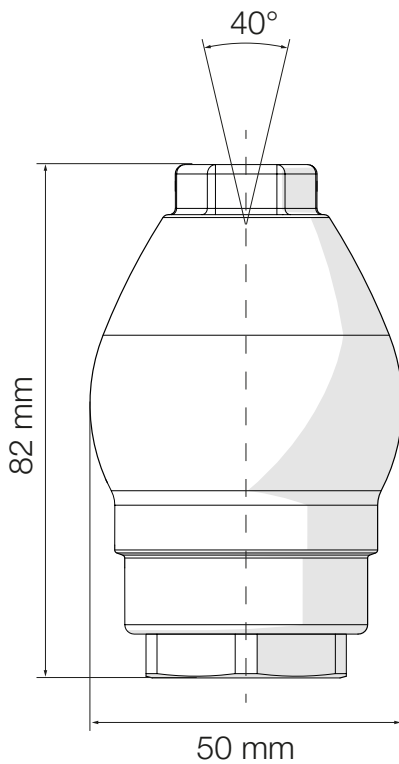
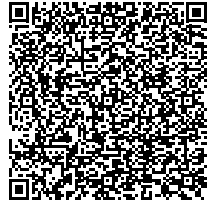
Industrial cleaning

255 bar

Special features

- Flexible mounting direction

More info



Technical data

Pressure max.:	255 bar
Spray angle:	40°
Temperature max.:	90 °C
Bearing:	Ceramics
Nozzle:	Ceramics
Nozzle size:	020-055
Flow rate max.:	20 l/min
Length / Diameter:	82 / Ø 50 mm
Weight:	0,5 kg
Connection thread:	G 1/4" IG

RA16-140



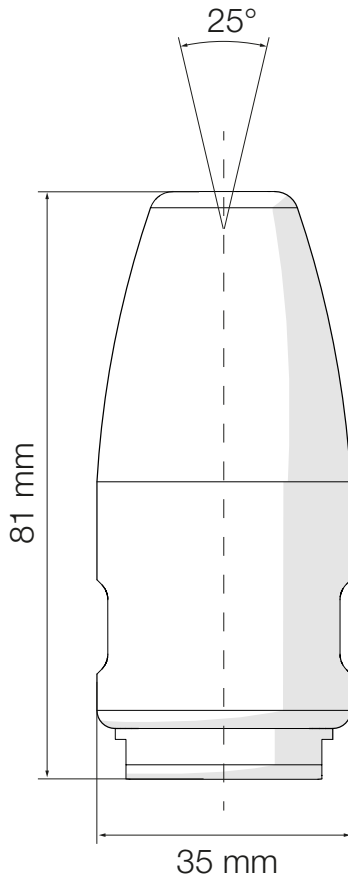
Industrial cleaning

255 bar

Special features

- Flexible mounting direction

More info



Technical data

Pressure max.:	255 bar
Spray angle:	25°
Temperature max.:	90 °C
Bearing:	Ceramics
Nozzle:	Ceramics
Nozzle size:	020 - 120
Flow rate max.:	44 l/min
Length / Diameter:	81 / Ø 35 mm
Weight:	0,3 kg
Connection thread:	G 1/4" IG

RA16-175



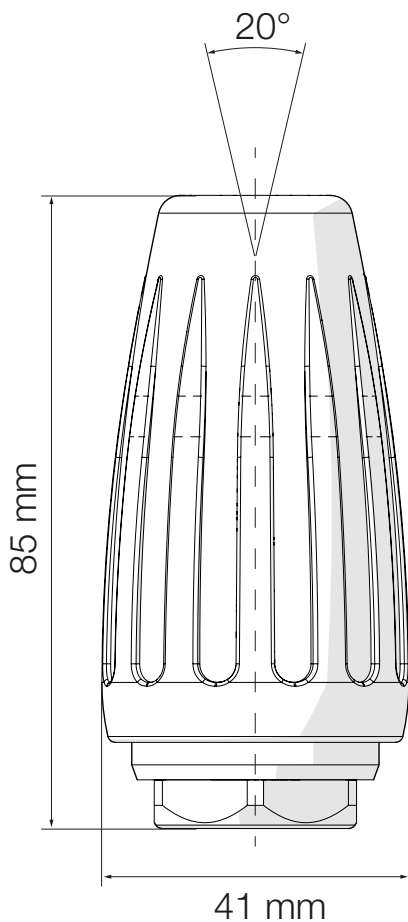
Industrial cleaning

255 bar

Special features

- Flexible mounting direction

More info



Technical data

Pressure max.:	255 bar
Spray angle:	24°
Temperature max.:	90 °C
Bearing:	Ceramics
Nozzle:	Ceramics
Nozzle size:	020-120
Flow rate max.:	44 l/min
Length / Diameter:	82 / Ø 50 mm
Weight:	0,5 kg
Connection thread:	G 1/4" IG

RA16-220

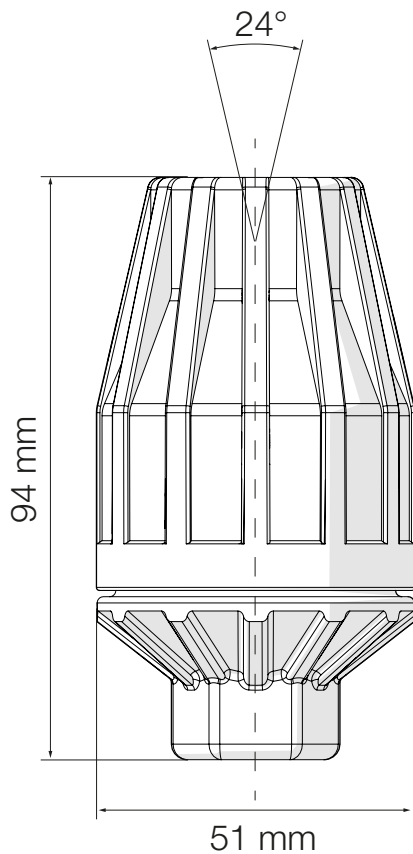


Industrial cleaning

255 bar

Special features

More info



Technical data

Pressure max.:	255 bar
Spray angle:	20°
Temperature max.:	90 °C
Bearing:	Ceramics
Nozzle:	Ceramics
Nozzle size:	040-110
Flow rate max.:	40 l/min
Length / Diameter:	94 / Ø 51 mm
Weight:	0,5 kg
Connection thread:	G 1/4" IG

RA18-100



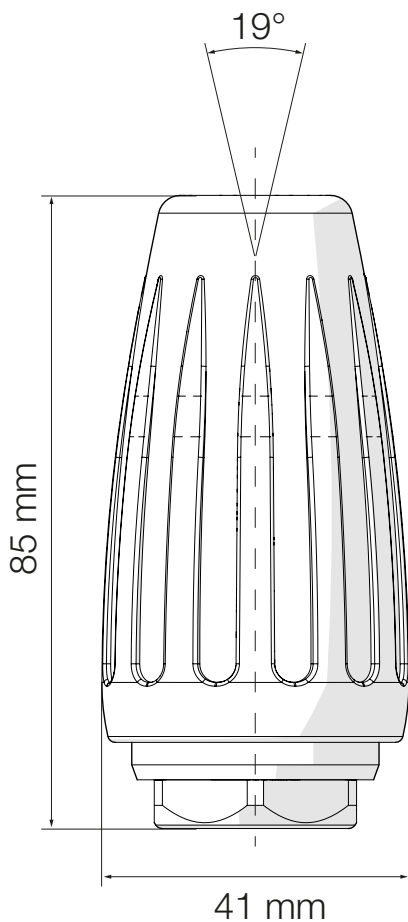
Industrial cleaning

280 bar

Special features

- ▶ Flexible mounting direction
- ▶ Resistant to dirt

More info



Technical data

Pressure max.:	280 bar
Spray angle:	19°
Temperature max.:	90 °C
Bearing:	Ceramics
Nozzle:	Ceramics
Nozzle size:	025-085
Flow rate max.:	32 l/min
Length / Diameter:	85 / Ø 41 mm
Weight:	0,3 kg
Connection thread:	G 1/4" IG

RA21-100

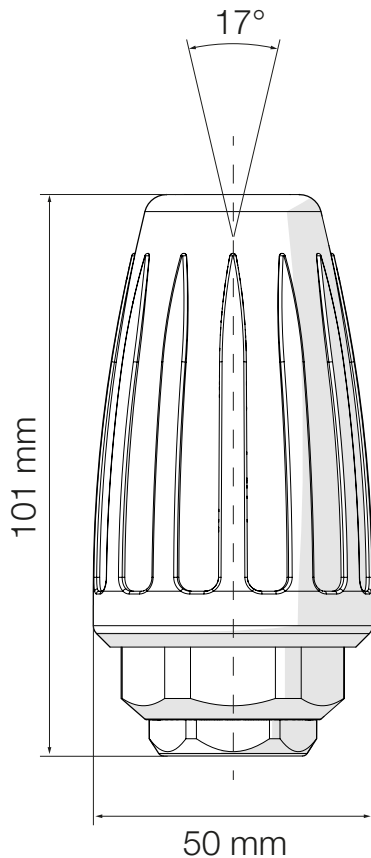


Industrial cleaning

310 bar

Special features

More info



Technical data

Pressure max.:	310 bar
Spray angle:	17°
Temperature max.:	90 °C
Bearing:	Ceramics
Nozzle:	Ceramics
Nozzle size:	020 - 060
Flow rate max.:	24 l/min
Length / Diameter:	101 / Ø 50 mm
Weight:	0,5 kg
Connection thread:	G 1/4" IG

RA30-100

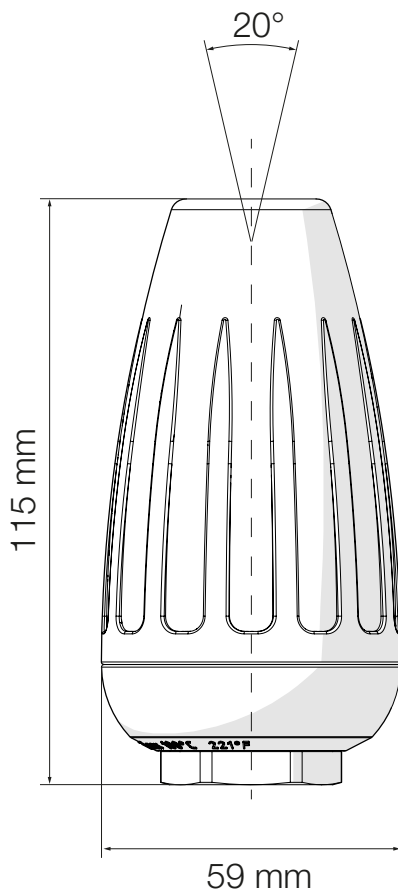


Industrial cleaning

400 bar

Special features

More info



Technical data

Pressure max.:	400 bar
Spray angle:	20°
Temperature max.:	90 °C
Bearing:	Ceramics
Nozzle:	Ceramics
Nozzle size:	020 - 200
Flow rate max.:	86 l/min
Length / Diameter:	115 / Ø 59 mm
Weight:	0,8 kg
Connection thread:	G 1/4" IG

RA30-110

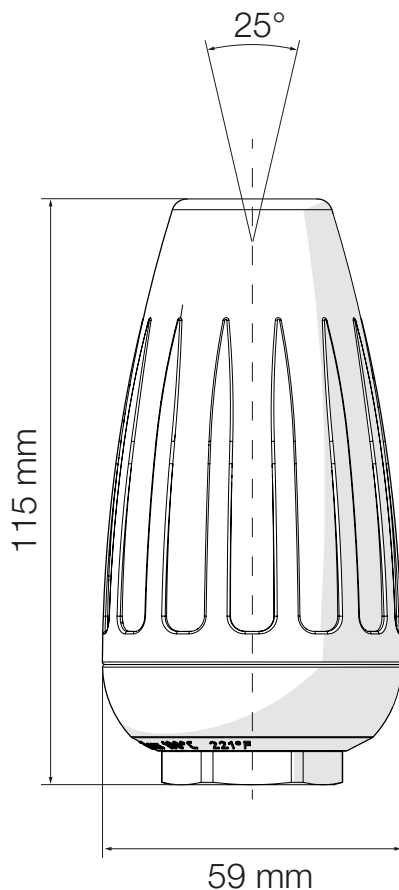


Industrial cleaning

400 bar

Special features

More info



Technical data

Pressure max.:	400 bar
Spray angle:	25°
Temperature max.:	90 °C
Bearing:	Ceramics
Nozzle:	Ceramics
Nozzle size:	020-200
Flow rate max.:	92 l/min
Length / Diameter:	115 / Ø 59 mm
Weight:	0,8 kg
Connection thread:	G 1/4" IG

RA30-115



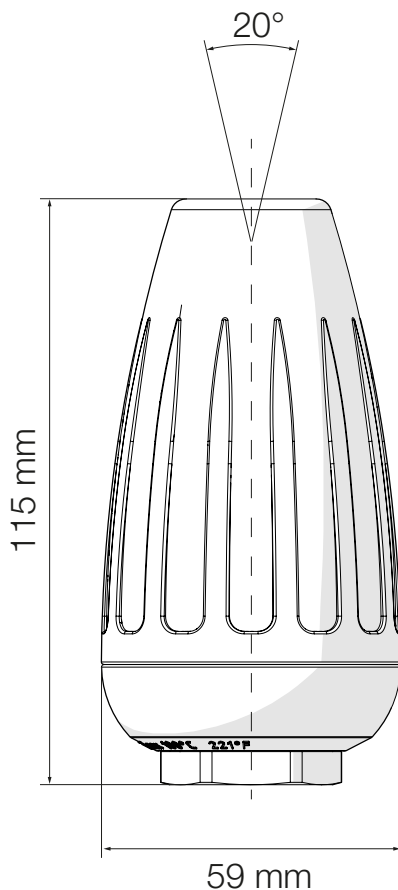
Industrial cleaning

400 bar

Special features

- Higher material removal rate

More info



Technical data

Pressure max.:	400 bar
Spray angle:	20°
Temperature max.:	90 °C
Bearing:	Ceramics
Nozzle:	Ceramics
Nozzle size:	020 - 060
Flow rate max.:	26 l/min
Length / Diameter:	115 / Ø 59 mm
Weight:	0,8 kg
Connection thread:	G 1/4" IG

RA30-120

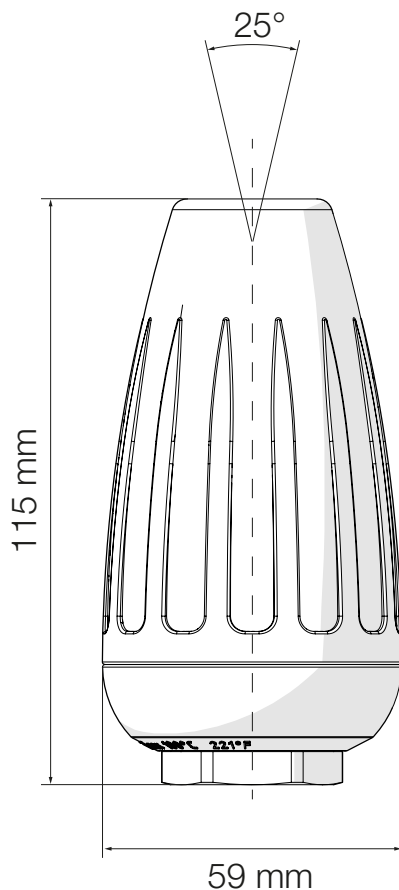


Industrial cleaning

400 bar

Special features

More info



Technical data

Pressure max.:	400 bar
Spray angle:	25°
Temperature max.:	150 °C
Bearing:	Ceramics
Nozzle:	Ceramics
Nozzle size:	020 - 200
Flow rate max.:	86 l/min
Length / Diameter:	115 / Ø 59 mm
Weight:	0,8 kg
Connection thread:	G 1/4" IG

RB35-150

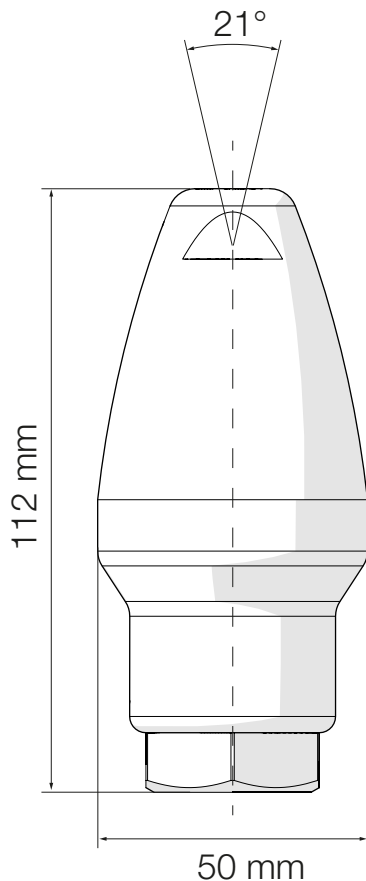
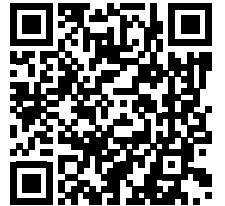


Industrial cleaning

600 bar

Special features

More info



Technical data

Pressure max.:	600 bar
Spray angle:	21°
Temperature max.:	100 °C
Bearing:	Tungsten carbide
Nozzle:	Tungsten carbide
Nozzle size:	014-160
Flow rate max.:	89 l/min
Length / Diameter:	112 / Ø 50 mm
Weight:	0,7 kg
Connection thread:	G 1/4" IG

RA35-155

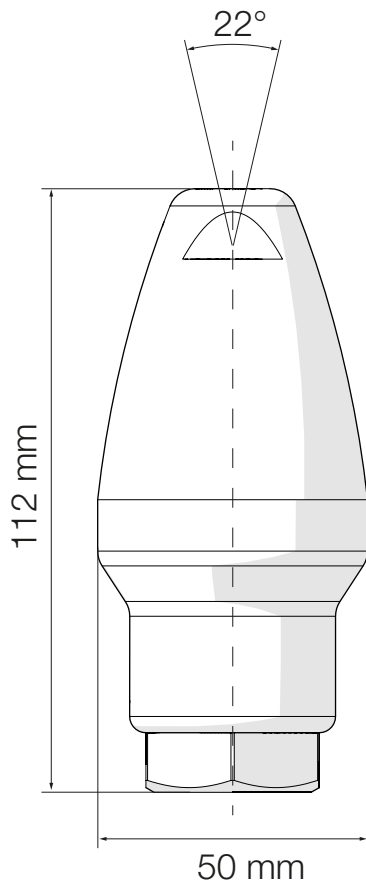


Industrial cleaning

600 bar

Special features

More info



Technical data

Pressure max.:	600 bar
Spray angle:	22°
Temperature max.:	100 °C
Bearing:	Ceramics
Nozzle:	Ceramics
Nozzle size:	020-120
Flow rate max.:	67 l/min
Length / Diameter:	112 / Ø 50 mm
Weight:	0,7 kg
Connection thread:	G 1/4" IG

RB35-160

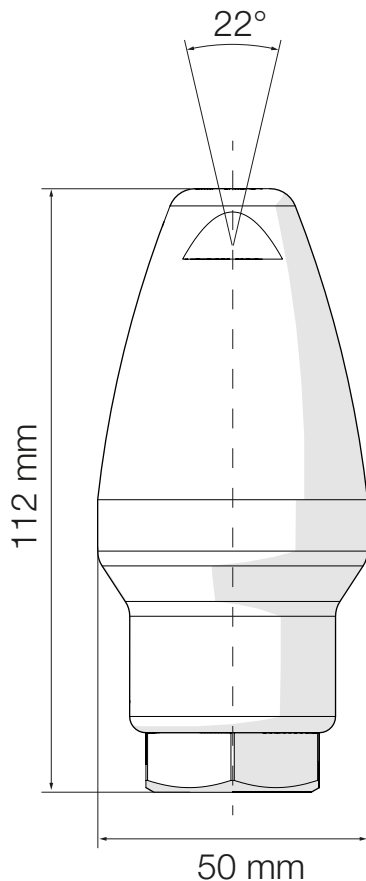


Industrial cleaning

600 bar

Special features

More info



Technical data

Pressure max.:	600 bar
Spray angle:	22°
Temperature max.:	150 °C
Bearing:	Tungsten carbide
Nozzle:	Tungsten carbide
Nozzle size:	014-160
Flow rate max.:	89 l/min
Length / Diameter:	112 / Ø 50 mm
Weight:	0,7 kg
Connection thread:	G 1/4" IG

RB35-165



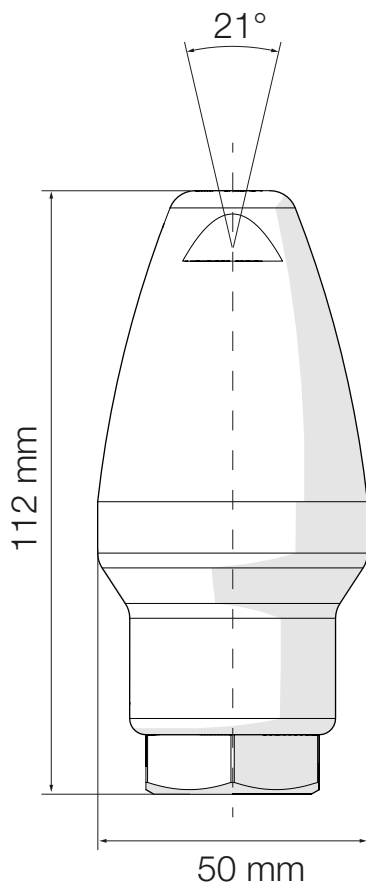
Industrial cleaning

600 bar

Special features

- ▶ Flexible mounting direction
- ▶ Resistant to dirt

More info



Technical data

Pressure max.:	600 bar
Spray angle:	21°
Temperature max.:	150 °C
Bearing:	Tungsten carbide
Nozzle:	Tungsten carbide
Nozzle size:	020-075
Flow rate max.:	42 l/min
Length / Diameter:	112 / Ø 50 mm
Weight:	0,7 kg
Connection thread:	G 1/4" IG

RA35-195



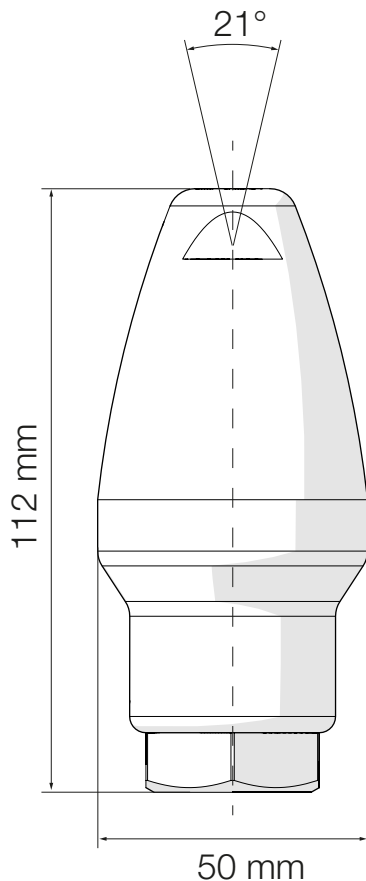
Industrial cleaning

600 bar

Special features

- ▶ Flexible mounting direction
- ▶ Resistant to dirt

More info



Technical data

Pressure max.:	600 bar
Spray angle:	21°
Temperature max.:	150 °C
Bearing:	Ceramics
Nozzle:	Ceramics
Nozzle size:	020
Flow rate max.:	11 l/min
Length / Diameter:	112 / Ø 50 mm
Weight:	0,7 kg
Connection thread:	G 1/4" IG

RB45-115



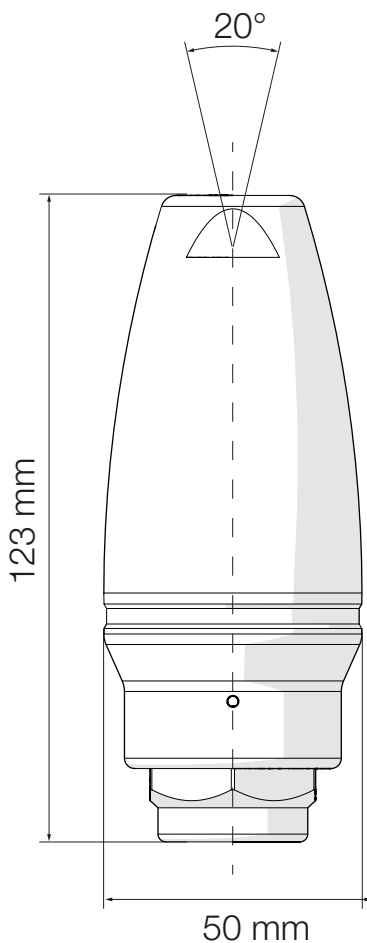
Industrial cleaning

800 bar

Special features

- Flexible mounting direction

More info



Technical data

Pressure max.:	800 bar
Spray angle:	20°
Temperature max.:	90 °C
Bearing:	Tungsten carbide
Nozzle:	Tungsten carbide
Nozzle size:	020 - 100
Flow rate max.:	65 l/min
Length / Diameter:	123 / Ø 50 mm
Weight:	1,0 kg
Connection thread:	G 1/4" IG

RB45-125



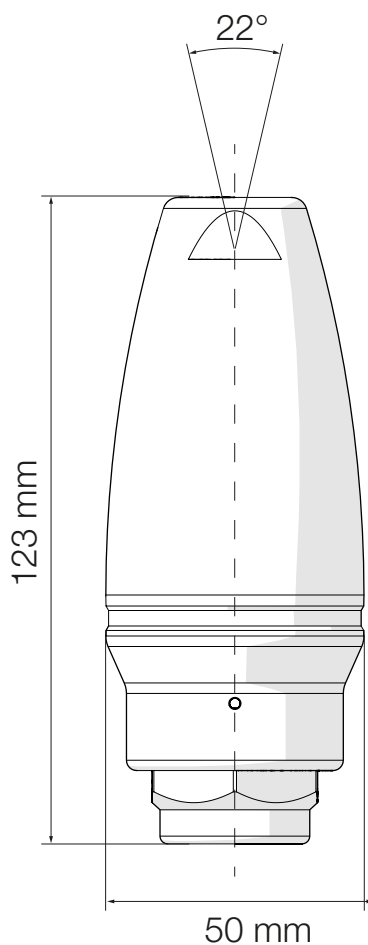
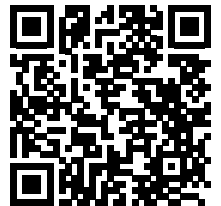
Industrial cleaning

800 bar

Special features

- ▶ Flexible mounting direction
- ▶ Resistant to dirt
- ▶ More security with soft start

More info



Technical data

Pressure max.:	800 bar
Spray angle:	22°
Temperature max.:	150 °C
Bearing:	Tungsten carbide
Nozzle:	Tungsten carbide
Nozzle size:	020 - 120
Flow rate max.:	77 l/min
Length / Diameter:	123 / Ø 50 mm
Weight:	1,0 kg
Connection thread:	G 1/4" IG

RB45-130



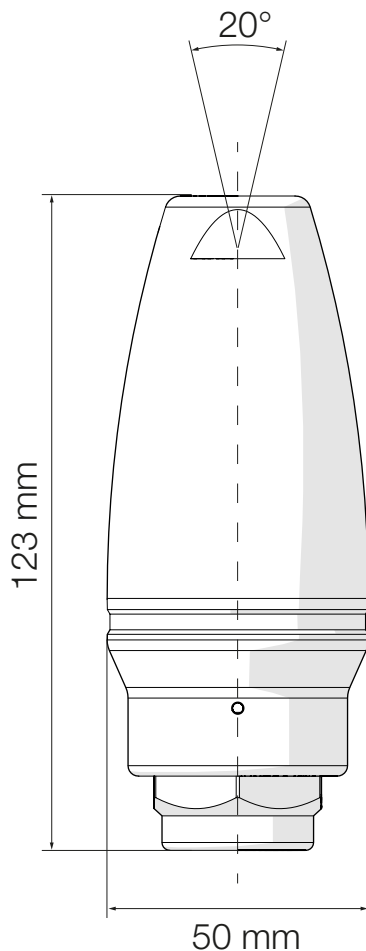
Industrial cleaning

800 bar

Special features

- ▶ Flexible mounting direction
- ▶ Resistant to dirt

More info



Technical data

Pressure max.:	800 bar
Spray angle:	20°
Temperature max.:	90 °C
Bearing:	Tungsten carbide
Nozzle:	Tungsten carbide
Nozzle size:	020 - 090
Flow rate max.:	58 l/min
Length / Diameter:	123 / Ø 50 mm
Weight:	1,0 kg
Connection thread:	G 1/4" IG

RB55-120



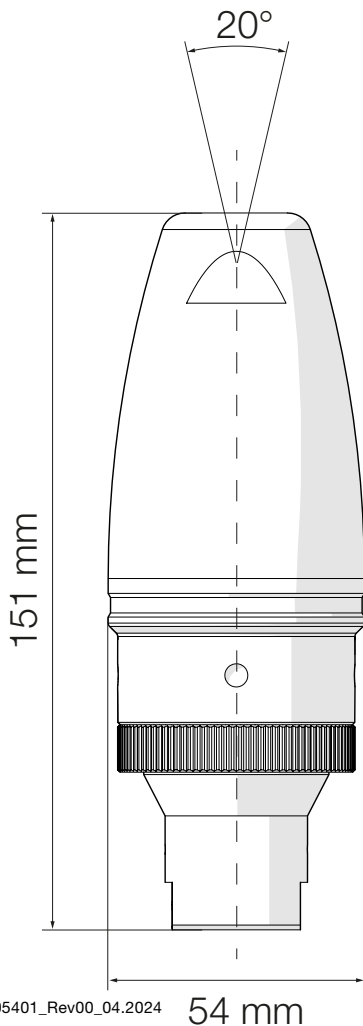
Industrial cleaning

1000 bar

Special features

- Flexible mounting direction

More info



Technical data

Pressure max.:	1000 bar
Spray angle:	20°
Temperature max.:	90 °C
Bearing:	Tungsten carbide
Nozzle:	Tungsten carbide
Nozzle size:	014 - 110
Flow rate max.:	79 l/min
Length / Diameter:	151 / Ø 54 mm
Weight:	1,4 kg
Connection thread:	G 1/4" IG

RB55-125



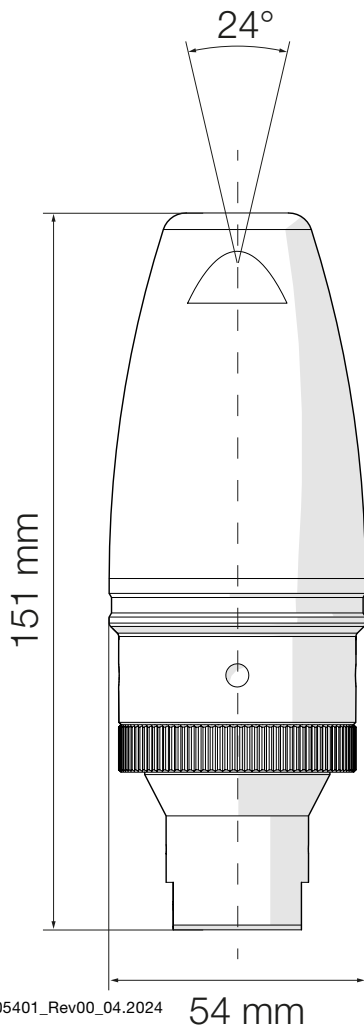
Industrial cleaning

1000 bar

Special features

- ▶ Flexible mounting direction
- ▶ Resistant to dirt
- ▶ More security with soft start

More info



Technical data

Pressure max.:	1000 bar
Spray angle:	24°
Temperature max.:	90 °C
Bearing:	Tungsten carbide
Nozzle:	Tungsten carbide
Nozzle size:	014 - 110
Flow rate max.:	79 l/min
Length / Diameter:	151 / Ø 54 mm
Weight:	1,4 kg
Connection thread:	G 1/4" IG

RB55-130



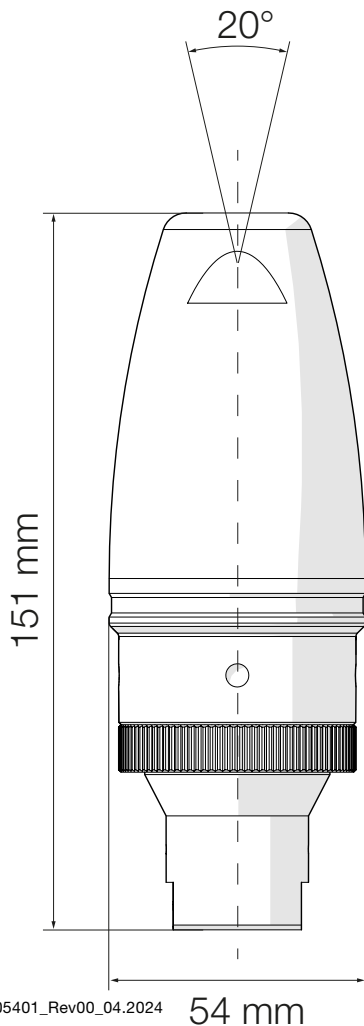
Industrial cleaning

1000 bar

Special features

- Flexible mounting direction

More info



Technical data

Pressure max.:	1000 bar
Spray angle:	20°
Temperature max.:	90 °C
Bearing:	Tungsten carbide
Nozzle:	Tungsten carbide
Nozzle size:	014 - 110
Flow rate max.:	79 l/min
Length / Diameter:	151 / Ø 54 mm
Weight:	1,5 kg
Connection thread:	G 1/4" IG

RB55-135



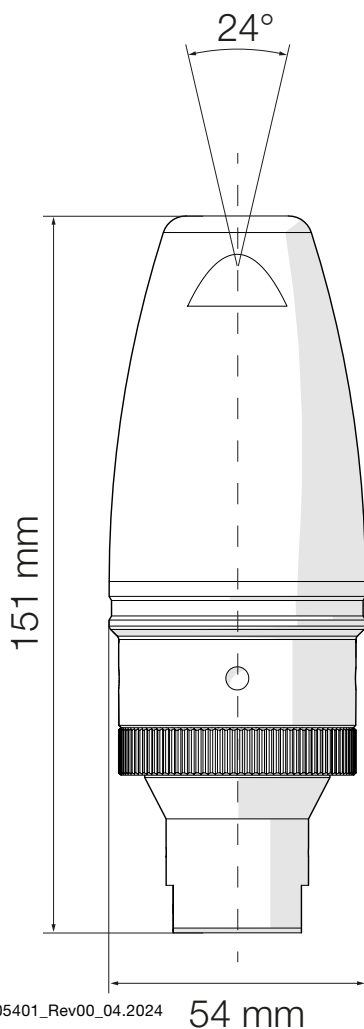
Industrial cleaning

1000 bar

Special features

- ▶ Flexible mounting direction
- ▶ Resistant to dirt

More info



Technical data

Pressure max.:	1000 bar
Spray angle:	24°
Temperature max.:	90 °C
Bearing:	Tungsten carbide
Nozzle:	Tungsten carbide
Nozzle size:	014 - 110
Flow rate max.:	79 l/min
Length / Diameter:	151 / Ø 54 mm
Weight:	1,5 kg
Connection thread:	G 1/4" IG

RB60-115



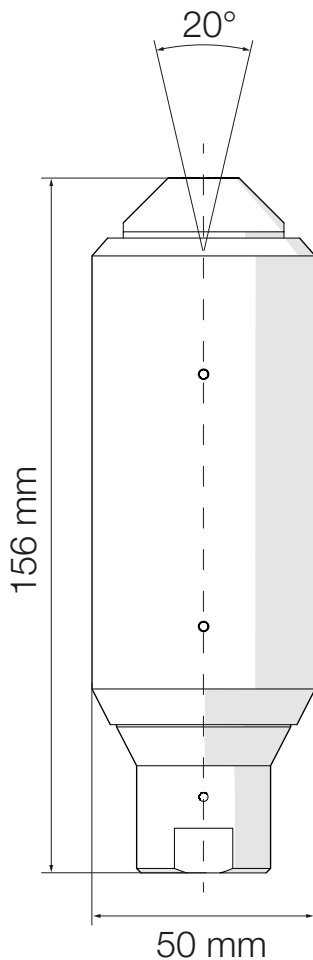
Industrial cleaning

1200 bar

Special features

- Flexible mounting direction

More info



Technical data

Pressure max.:	1200 bar
Spray angle:	20°
Temperature max.:	90 °C
Bearing:	Tungsten carbide
Nozzle:	Tungsten carbide
Nozzle size:	018 - 110
Flow rate max.:	87 l/min
Length / Diameter:	156 / Ø 50 mm
Weight:	1,5 kg
Connection thread:	G 1/4" IG

RB60-125



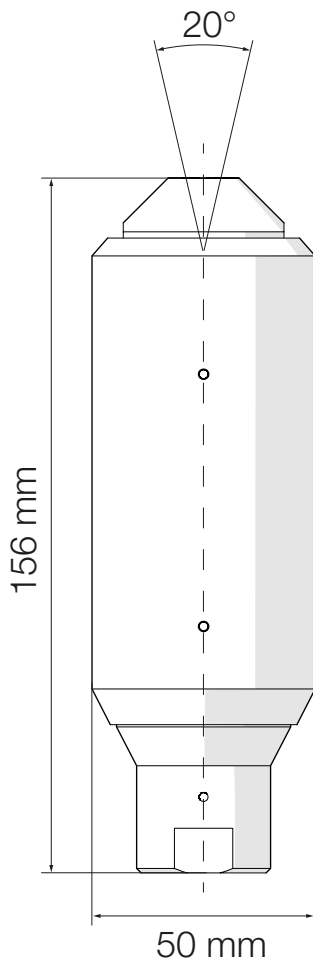
Industrial cleaning

1200 bar

Special features

- Flexible mounting direction

More info



Technical data

Pressure max.:	1200 bar
Spray angle:	20°
Temperature max.:	90 °C
Bearing:	Tungsten carbide
Nozzle:	Tungsten carbide
Nozzle size:	018
Flow rate max.:	14 l/min
Length / Diameter:	156 / Ø 50 mm
Weight:	1,5 kg
Connection thread:	G 1/4" IG

RB65-120



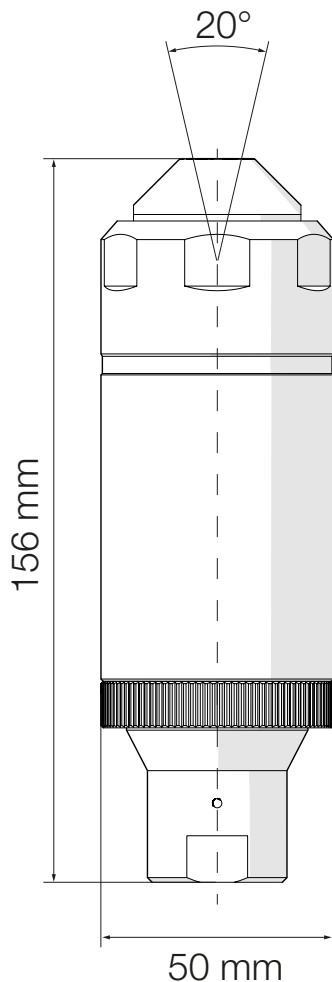
Industrial cleaning

1500 bar

Special features

- Flexible mounting direction

More info



Technical data

Pressure max.:	1500 bar
Spray angle:	20°
Temperature max.:	90 °C
Bearing:	Tungsten carbide
Nozzle:	Tungsten carbide
Nozzle size:	018-110
Flow rate max.:	97 l/min
Length / Diameter:	156 / Ø 50 mm
Weight:	1,5 kg
Connection thread:	G 1/4" IG

RB65-125



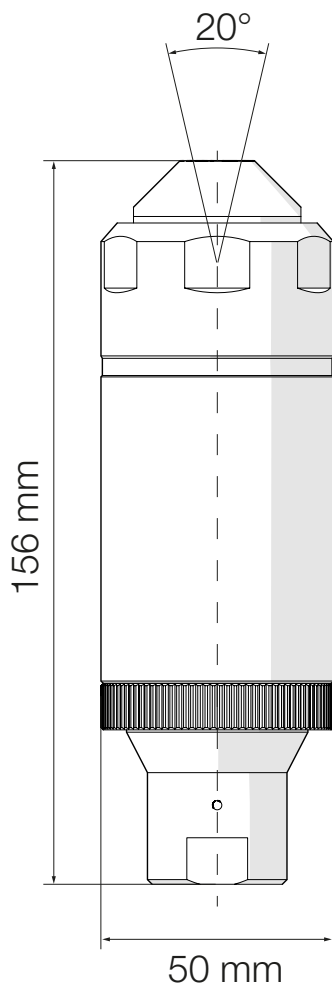
Industrial cleaning

1500 bar

Special features

- ▶ Flexible mounting direction
- ▶ Resistant to dirt

More info



Technical data

Pressure max.:	1500 bar
Spray angle:	20°
Temperature max.:	150 °C
Bearing:	Tungsten carbide
Nozzle:	Tungsten carbide
Nozzle size:	018-110
Flow rate max.:	97 l/min
Length / Diameter:	156 / Ø 50 mm
Weight:	1,5 kg
Connection thread:	G 1/4" IG

RB65-130



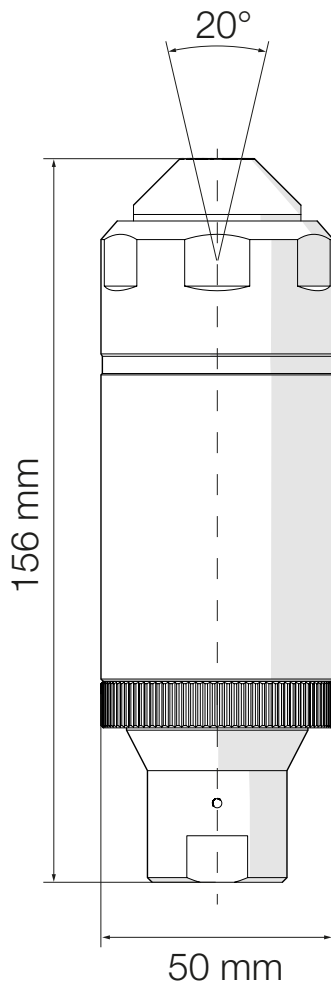
Industrial cleaning

1500 bar

Special features

- Flexible mounting direction

More info



Technical data

Pressure max.:	1500 bar
Spray angle:	20°
Temperature max.:	90 °C
Bearing:	Tungsten carbide
Nozzle:	Tungsten carbide
Nozzle size:	018-110
Flow rate max.:	97 l/min
Length / Diameter:	156 / Ø 50 mm
Weight:	1,5 kg
Connection thread:	G 1/4" IG

RB65-135



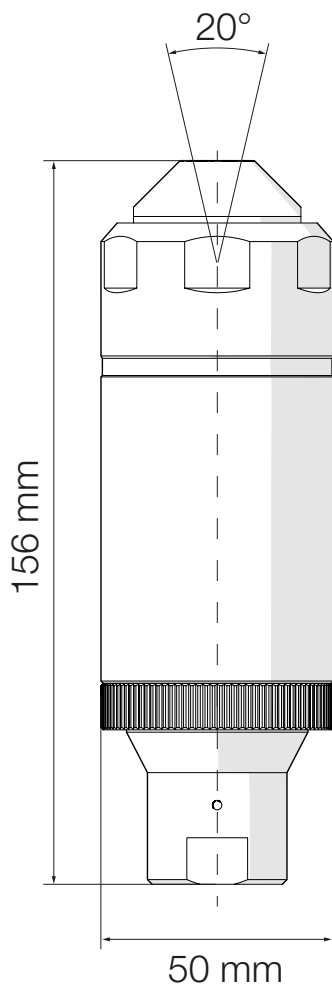
Industrial cleaning

1500 bar

Special features

- ▶ Flexible mounting direction
- ▶ Resistant to dirt

More info



Technical data

Pressure max.:	1500 bar
Spray angle:	20°
Temperature max.:	150 °C
Bearing:	Tungsten carbide
Nozzle:	Tungsten carbide
Nozzle size:	018-110
Flow rate max.:	97 l/min
Length / Diameter:	156 / Ø 50 mm
Weight:	1,5 kg
Connection thread:	G 1/4" IG

RB75-120



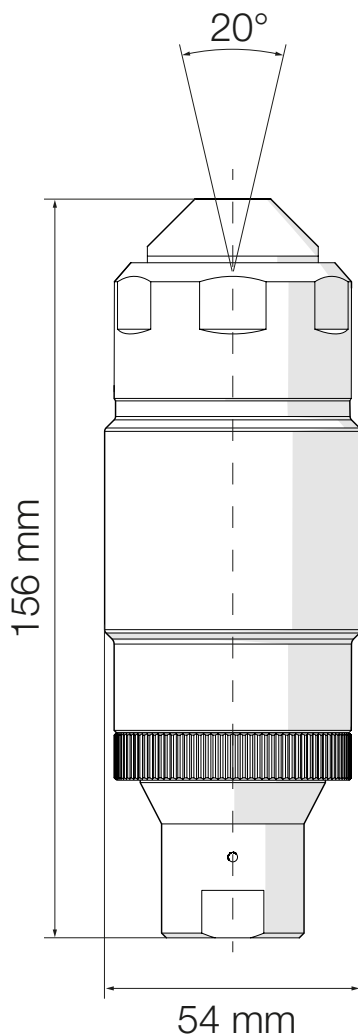
Industrial cleaning

2500 bar

Special features

- Flexible mounting direction

More info



Technical data

Pressure max.:	2500 bar
Spray angle:	20°
Temperature max.:	90 °C
Bearing:	Tungsten carbide
Nozzle:	Tungsten carbide
Nozzle size:	018-110
Flow rate max.:	over 100 l/min
Length / Diameter:	156 / Ø 54 mm
Weight:	1,6 kg
Connection thread:	G 1/4" IG

RB75-125



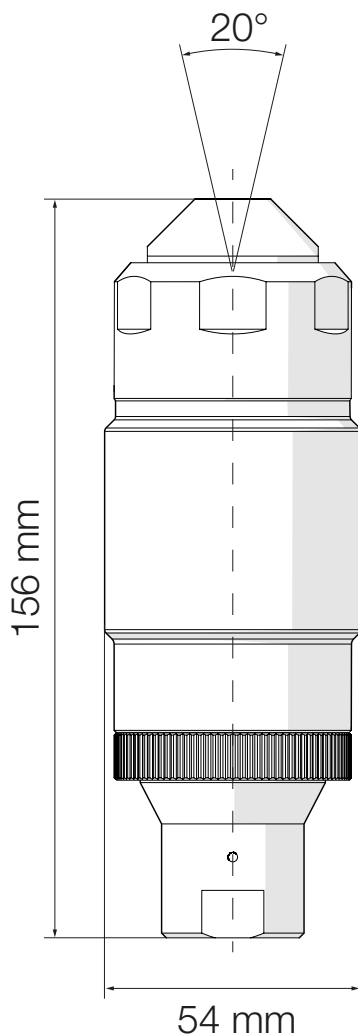
Industrial cleaning

2500 bar

Special features

- ▶ Flexible mounting direction
- ▶ Resistant to dirt
- ▶ More security with soft start

More info



Technical data

Pressure max.:	2500 bar
Spray angle:	20°
Temperature max.:	150 °C
Bearing:	Tungsten carbide
Nozzle:	Tungsten carbide
Nozzle size:	018-110
Flow rate max.:	over 100 l/min
Length / Diameter:	156 / Ø 54 mm
Weight:	1,6 kg
Connection thread:	G 1/4" IG

RB75-130



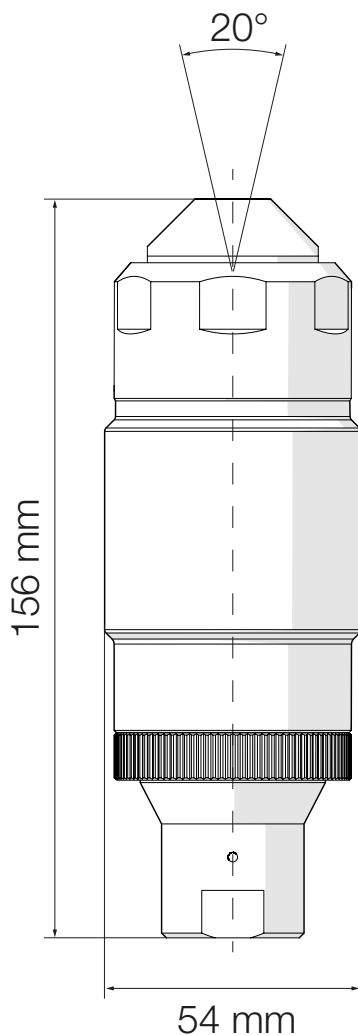
Industrial cleaning

2500 bar

Special features

- Flexible mounting direction

More info



Technical data

Pressure max.:	2500 bar
Spray angle:	20°
Temperature max.:	90 °C
Bearing:	Tungsten carbide
Nozzle:	Tungsten carbide
Nozzle size:	018-110
Flow rate max.:	over 100 l/min-
Length / Diameter:	156 / Ø 54 mm
Weight:	1,6 kg
Connection thread:	G 1/4" IG

RB75-135



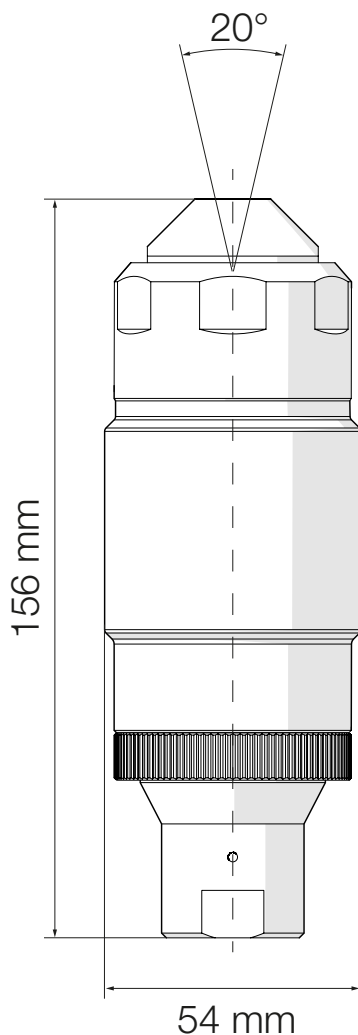
Industrial cleaning

2500 bar

Special features

- ▶ Flexible mounting direction
- ▶ Resistant to dirt

More info



Technical data

Pressure max.:	2500 bar
Spray angle:	20°
Temperature max.:	150 °C
Bearing:	Tungsten carbide
Nozzle:	Tungsten carbide
Nozzle size:	018-110
Flow rate max.:	over 100 l/min-
Length / Diameter:	156 / Ø 54 mm
Weight:	1,6 kg
Connection thread:	G 1/4" IG

PA16-160

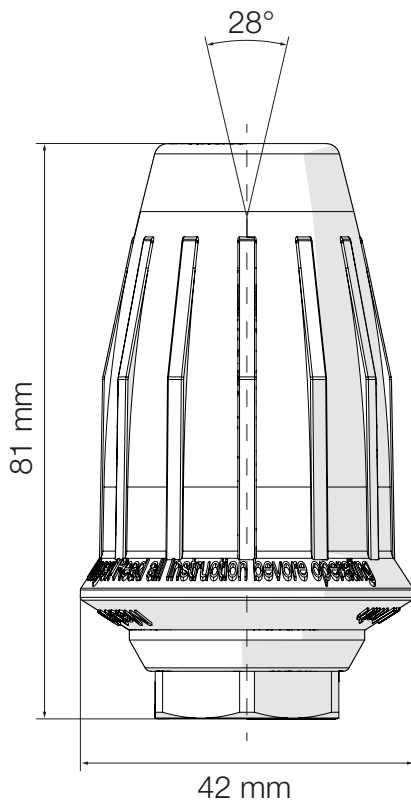


Industrial cleaning

255 bar

Special features

More info



Technical data

Pressure max.:	255 bar
Spray angle:	28°
Temperature max.:	90 °C
Bearing:	Ceramics
Nozzle:	Ceramics
Nozzle size:	025-055
Flow rate max.:	20 l/min
Length / Diameter:	85 / Ø 49 mm
Weight:	0,3 kg
Connection thread:	G 1/4" IG

PA16-170

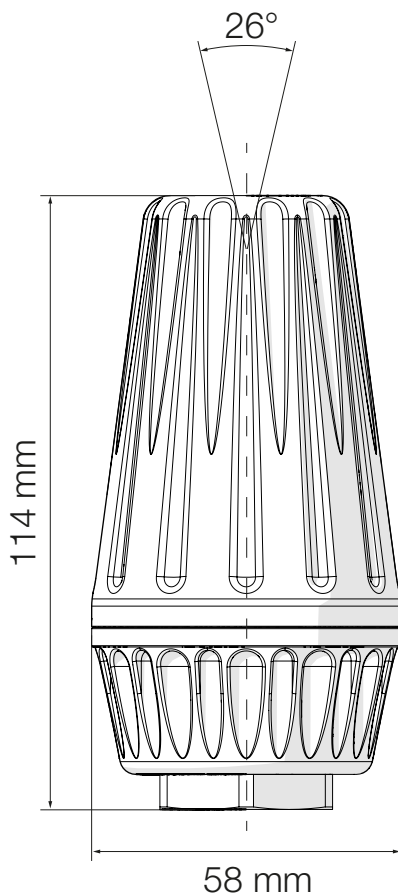


Industrial cleaning

255 bar

Special features

More info



Technical data

Pressure max.:	255 bar
Spray angle:	26°
Temperature max.:	90 °C
Bearing:	Ceramics
Nozzle:	Ceramics
Nozzle size:	020-070
Flow rate max.:	25 l/min
Length / Diameter:	114 / Ø 58 mm
Weight:	0,8 kg
Connection thread:	G 1/4" IG

MA16-165



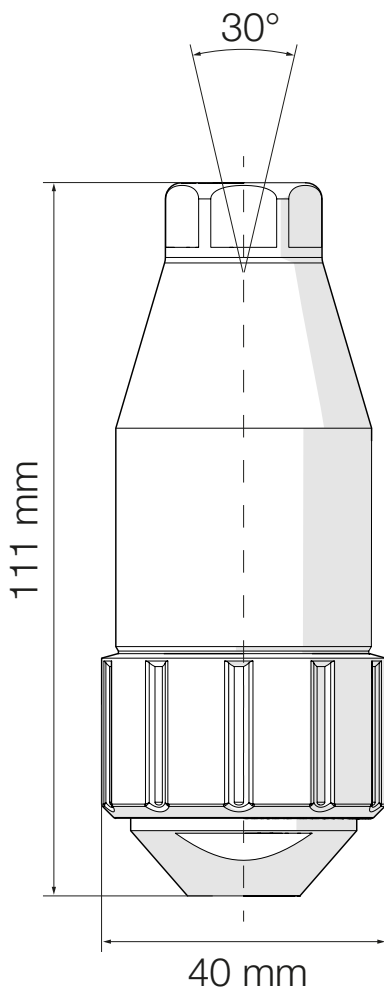
Industrial cleaning

255 bar

Special features

- Speed control

More info



Technical data

Pressure max.:	255 bar
Spray angle:	30°
Temperature max.:	90 °C
Bearing:	Ceramics
Nozzle:	Ceramics
Nozzle size:	020-060
Flow rate max.:	22 l/min
Length / Diameter:	111 / Ø 40 mm
Weight:	0,6 kg
Connection thread:	G 1/4" IG

MA30-125



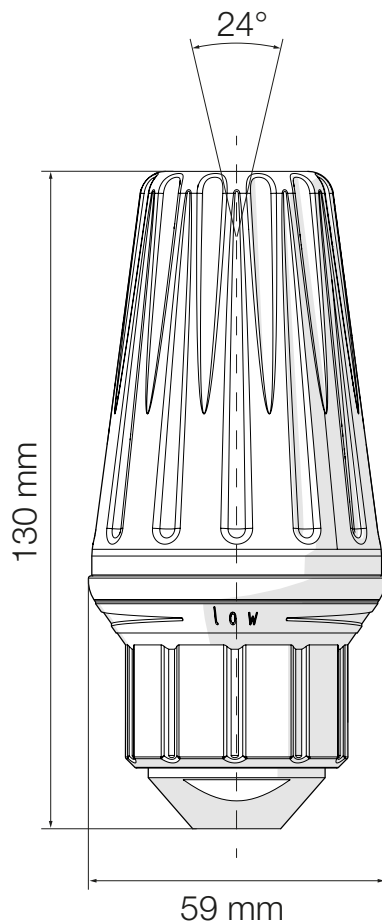
Industrial cleaning

400 bar

Special features

- ▶ Speed control

More info



Technical data

Pressure max.:	400 bar
Spray angle:	24°
Temperature max.:	150 °C
Bearing:	Ceramics
Nozzle:	Ceramics
Nozzle size:	020-100
Flow rate max.:	45 l/min
Length / Diameter:	130 / Ø 59 mm
Weight:	0,8 kg
Connection thread:	G 1/4" IG

MA16-240



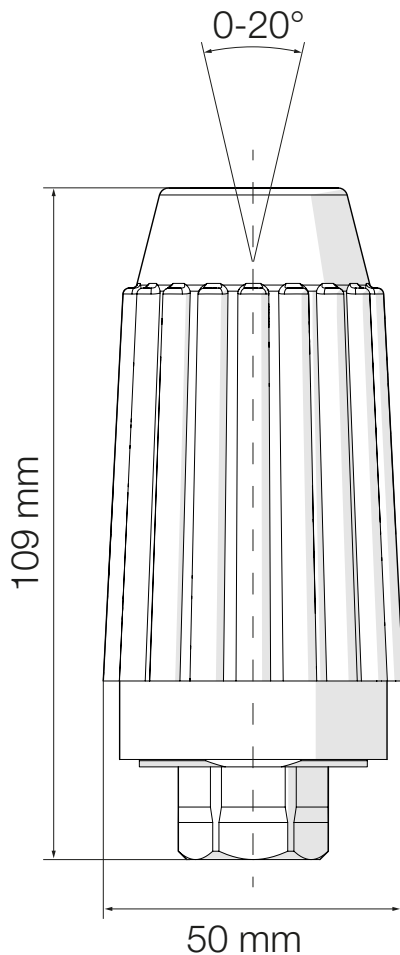
Industrial cleaning

255 bar

Special features

- Spray angle adjustment

More info



Technical data

Pressure max.:	255 bar
Spray angle:	0-20°
Temperature max.:	100 °C
Bearing:	Ceramics
Nozzle:	Ceramics
Nozzle size:	020-180
Flow rate max.:	65 l/min
Length / Diameter:	109 / Ø 50 mm
Weight:	0,5 kg
Connection thread:	G 1/4" IG