

RA16-100

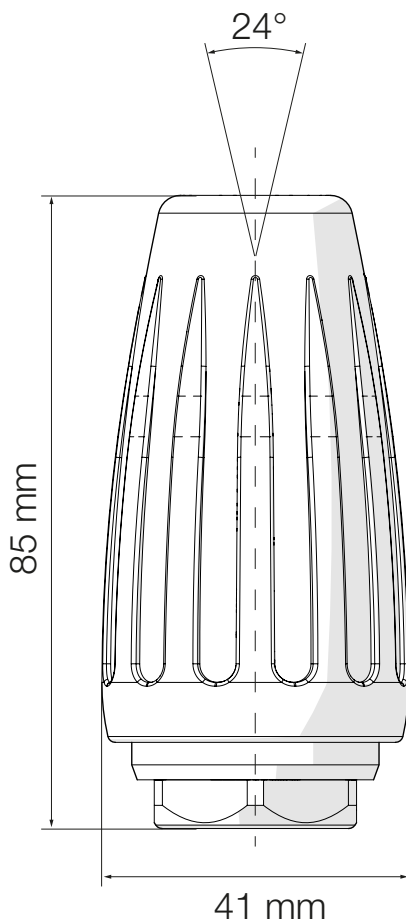


Marine

255 bar

Special features

More info



Technical data

| | |
|--------------------|--------------|
| Pressure max.: | 255 bar |
| Spray angle: | 24° |
| Temperature max.: | 90 °C |
| Bearing: | Ceramics |
| Nozzle: | Ceramics |
| Nozzle size: | 020-120 |
| Flow rate max.: | 44 l/min |
| Length / Diameter: | 85 / Ø 41 mm |
| Weight: | 0,3 kg |
| Connection thread: | G 1/4" IG |

RA16-115



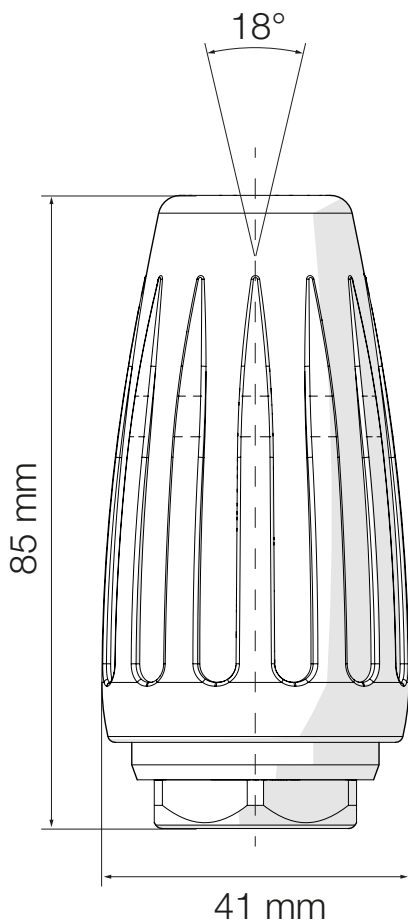
Marine

255 bar

Special features

- Flexible mounting direction

More info



Technical data

| | |
|--------------------|--------------|
| Pressure max.: | 255 bar |
| Spray angle: | 18° |
| Temperature max.: | 90 °C |
| Bearing: | Ceramics |
| Nozzle: | Ceramics |
| Nozzle size: | 020-110 |
| Flow rate max.: | 40 l/min |
| Length / Diameter: | 85 / Ø 41 mm |
| Weight: | 0,3 kg |
| Connection thread: | G 1/4" IG |

RA16-140



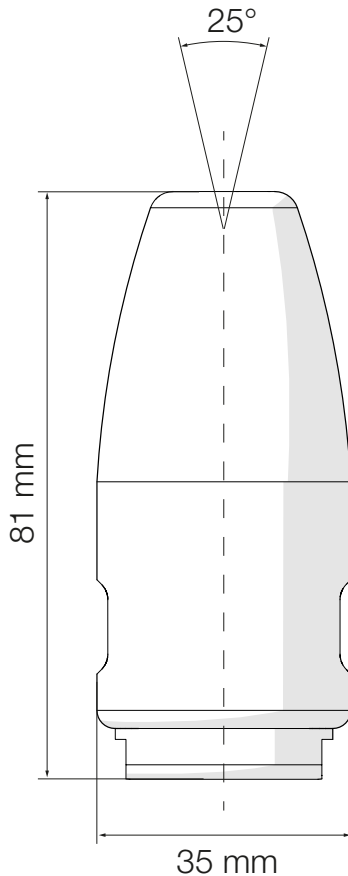
Marine

255 bar

Special features

- Flexible mounting direction

More info



Technical data

| | |
|--------------------|--------------|
| Pressure max.: | 255 bar |
| Spray angle: | 25° |
| Temperature max.: | 90 °C |
| Bearing: | Ceramics |
| Nozzle: | Ceramics |
| Nozzle size: | 020 - 120 |
| Flow rate max.: | 44 l/min |
| Length / Diameter: | 81 / Ø 35 mm |
| Weight: | 0,3 kg |
| Connection thread: | G 1/4" IG |

RA16-220

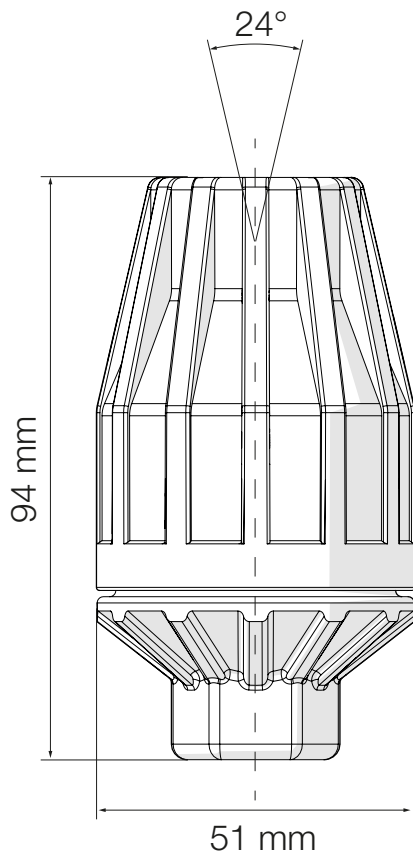


Marine

255 bar

Special features

More info



Technical data

| | |
|--------------------|--------------|
| Pressure max.: | 255 bar |
| Spray angle: | 20° |
| Temperature max.: | 90 °C |
| Bearing: | Ceramics |
| Nozzle: | Ceramics |
| Nozzle size: | 040-110 |
| Flow rate max.: | 40 l/min |
| Length / Diameter: | 94 / Ø 51 mm |
| Weight: | 0,5 kg |
| Connection thread: | G 1/4" IG |

RA18-100



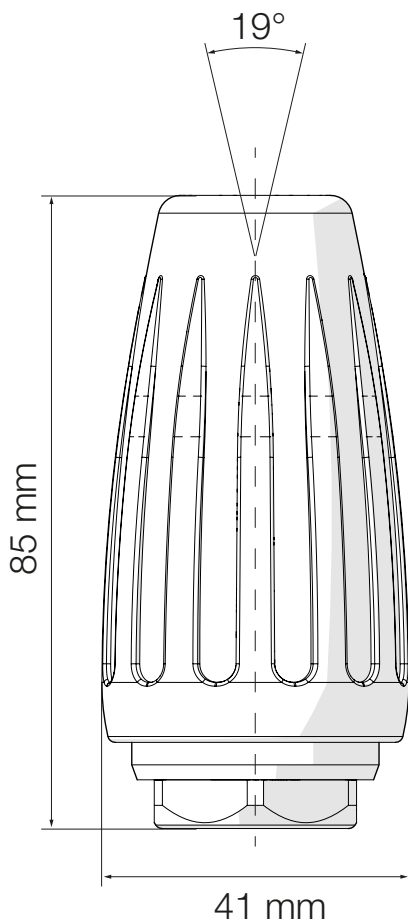
Marine

280 bar

Special features

- ▶ Flexible mounting direction
- ▶ Resistant to dirt

More info



Technical data

| | |
|--------------------|--------------|
| Pressure max.: | 280 bar |
| Spray angle: | 19° |
| Temperature max.: | 90 °C |
| Bearing: | Ceramics |
| Nozzle: | Ceramics |
| Nozzle size: | 025-085 |
| Flow rate max.: | 32 l/min |
| Length / Diameter: | 85 / Ø 41 mm |
| Weight: | 0,3 kg |
| Connection thread: | G 1/4" IG |

RA21-100

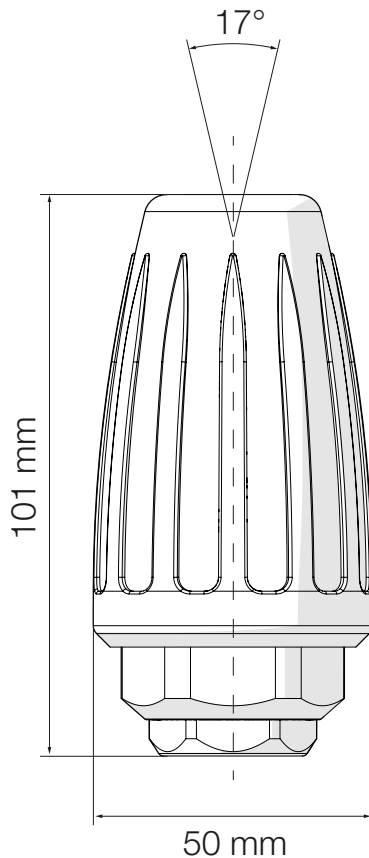


Marine

310 bar

Special features

More info



Technical data

| | |
|--------------------|---------------|
| Pressure max.: | 310 bar |
| Spray angle: | 17° |
| Temperature max.: | 90 °C |
| Bearing: | Ceramics |
| Nozzle: | Ceramics |
| Nozzle size: | 020 - 060 |
| Flow rate max.: | 24 l/min |
| Length / Diameter: | 101 / Ø 50 mm |
| Weight: | 0,5 kg |
| Connection thread: | G 1/4" IG |

RA30-100

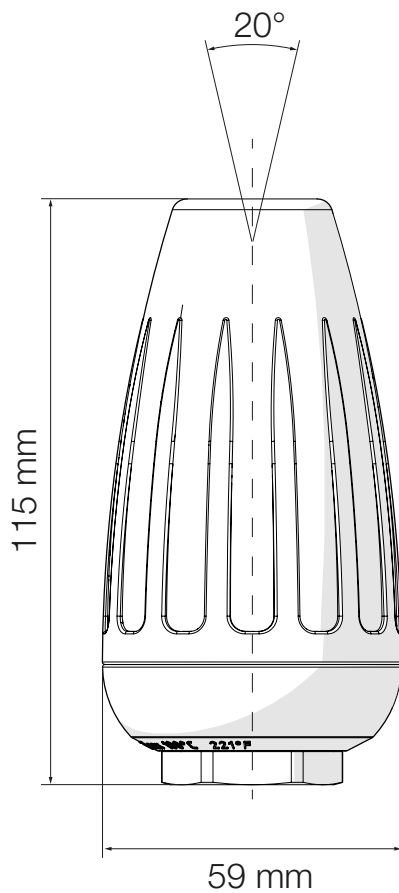


Marine

400 bar

Special features

More info



Technical data

| | |
|--------------------|---------------|
| Pressure max.: | 400 bar |
| Spray angle: | 20° |
| Temperature max.: | 90 °C |
| Bearing: | Ceramics |
| Nozzle: | Ceramics |
| Nozzle size: | 020 - 200 |
| Flow rate max.: | 86 l/min |
| Length / Diameter: | 115 / Ø 59 mm |
| Weight: | 0,8 kg |
| Connection thread: | G 1/4" IG |

RA30-110

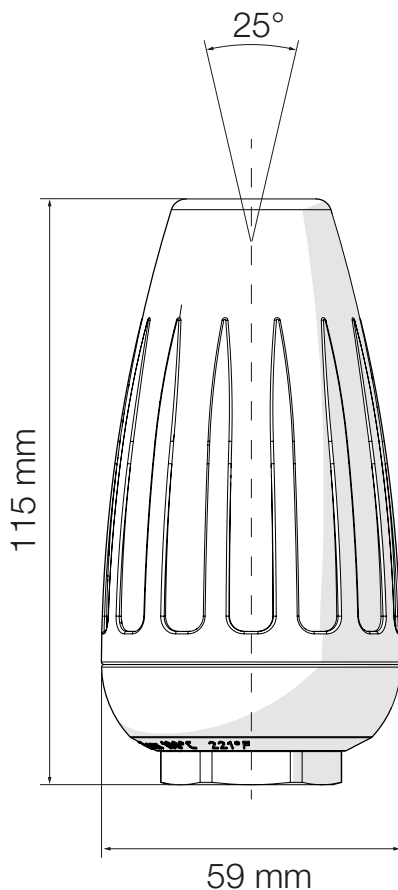


Marine

400 bar

Special features

More info



Technical data

| | |
|--------------------|---------------|
| Pressure max.: | 400 bar |
| Spray angle: | 25° |
| Temperature max.: | 90 °C |
| Bearing: | Ceramics |
| Nozzle: | Ceramics |
| Nozzle size: | 020-200 |
| Flow rate max.: | 92 l/min |
| Length / Diameter: | 115 / Ø 59 mm |
| Weight: | 0,8 kg |
| Connection thread: | G 1/4" IG |

RA30-115



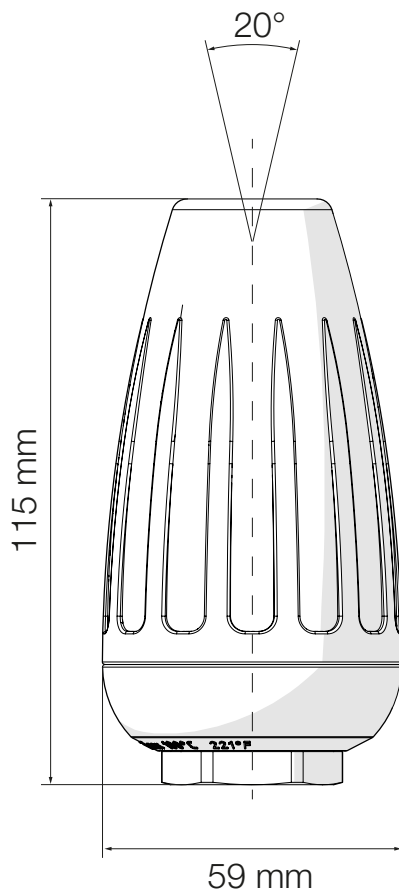
Marine

400 bar

Special features

- Higher material removal rate

More info



Technical data

| | |
|--------------------|---------------|
| Pressure max.: | 400 bar |
| Spray angle: | 20° |
| Temperature max.: | 90 °C |
| Bearing: | Ceramics |
| Nozzle: | Ceramics |
| Nozzle size: | 020 - 060 |
| Flow rate max.: | 26 l/min |
| Length / Diameter: | 115 / Ø 59 mm |
| Weight: | 0,8 kg |
| Connection thread: | G 1/4" IG |

RA30-120

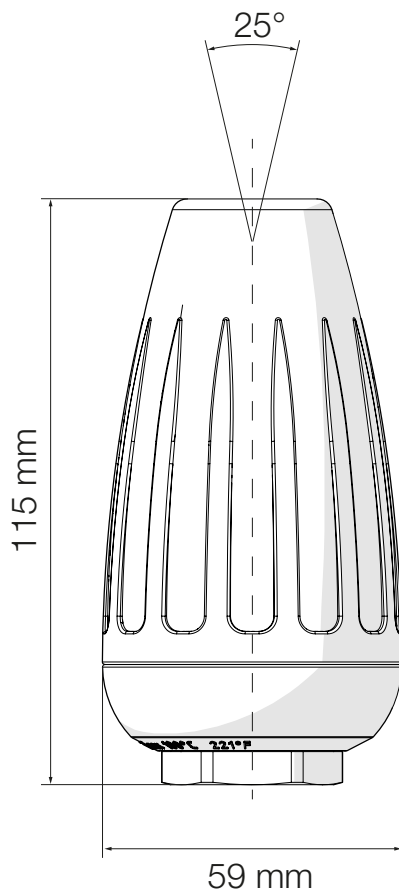


Marine

400 bar

Special features

More info



Technical data

| | |
|--------------------|---------------|
| Pressure max.: | 400 bar |
| Spray angle: | 25° |
| Temperature max.: | 150 °C |
| Bearing: | Ceramics |
| Nozzle: | Ceramics |
| Nozzle size: | 020 - 200 |
| Flow rate max.: | 86 l/min |
| Length / Diameter: | 115 / Ø 59 mm |
| Weight: | 0,8 kg |
| Connection thread: | G 1/4" IG |

RB35-150

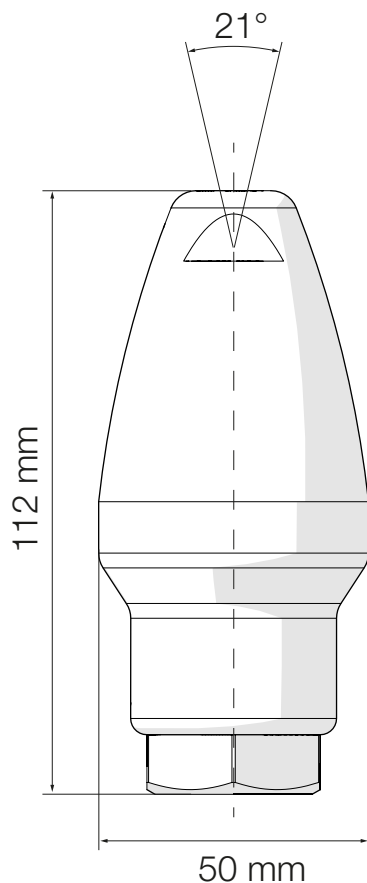


Marine

600 bar

Special features

More info



Technical data

| | |
|--------------------|------------------|
| Pressure max.: | 600 bar |
| Spray angle: | 21° |
| Temperature max.: | 100 °C |
| Bearing: | Tungsten carbide |
| Nozzle: | Tungsten carbide |
| Nozzle size: | 014-160 |
| Flow rate max.: | 89 l/min |
| Length / Diameter: | 112 / Ø 50 mm |
| Weight: | 0,7 kg |
| Connection thread: | G 1/4" IG |

RA35-155

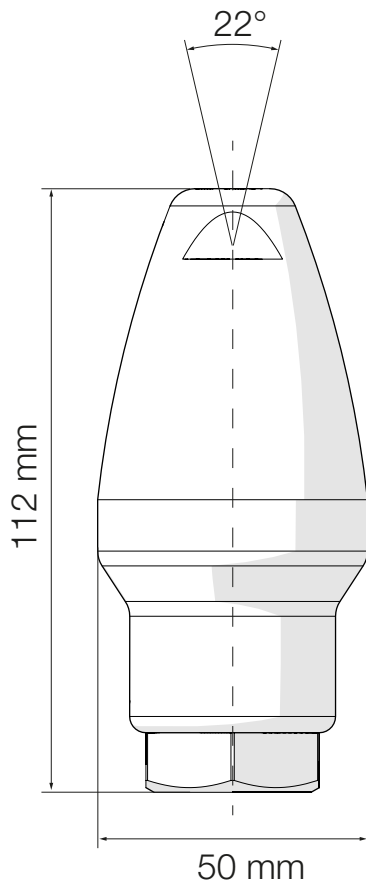


Marine

600 bar

Special features

More info



Technical data

| | |
|--------------------|---------------|
| Pressure max.: | 600 bar |
| Spray angle: | 22° |
| Temperature max.: | 100 °C |
| Bearing: | Ceramics |
| Nozzle: | Ceramics |
| Nozzle size: | 020-120 |
| Flow rate max.: | 67 l/min |
| Length / Diameter: | 112 / Ø 50 mm |
| Weight: | 0,7 kg |
| Connection thread: | G 1/4" IG |

RB35-160

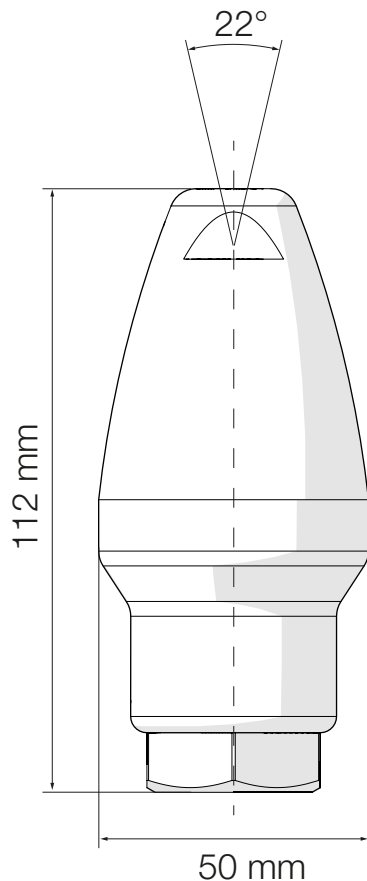


Marine

600 bar

Special features

More info



Technical data

| | |
|--------------------|------------------|
| Pressure max.: | 600 bar |
| Spray angle: | 22° |
| Temperature max.: | 150 °C |
| Bearing: | Tungsten carbide |
| Nozzle: | Tungsten carbide |
| Nozzle size: | 014-160 |
| Flow rate max.: | 89 l/min |
| Length / Diameter: | 112 / Ø 50 mm |
| Weight: | 0,7 kg |
| Connection thread: | G 1/4" IG |

RB35-165



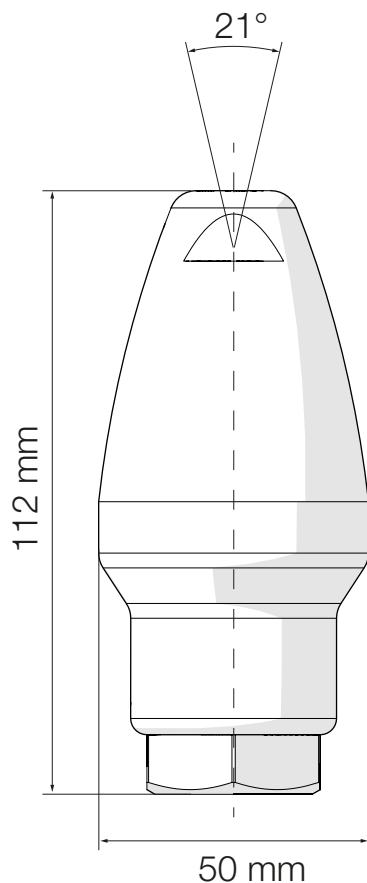
Marine

600 bar

Special features

- ▶ Flexible mounting direction
- ▶ Resistant to dirt

More info



Technical data

| | |
|--------------------|------------------|
| Pressure max.: | 600 bar |
| Spray angle: | 21° |
| Temperature max.: | 150 °C |
| Bearing: | Tungsten carbide |
| Nozzle: | Tungsten carbide |
| Nozzle size: | 020-075 |
| Flow rate max.: | 42 l/min |
| Length / Diameter: | 112 / Ø 50 mm |
| Weight: | 0,7 kg |
| Connection thread: | G 1/4" IG |

RA35-195



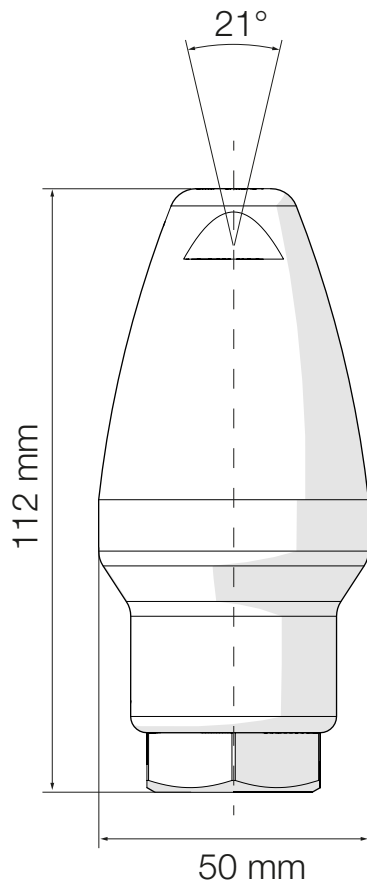
Marine

600 bar

Special features

- ▶ Flexible mounting direction
- ▶ Resistant to dirt

More info



Technical data

| | |
|--------------------|---------------|
| Pressure max.: | 600 bar |
| Spray angle: | 21° |
| Temperature max.: | 150 °C |
| Bearing: | Ceramics |
| Nozzle: | Ceramics |
| Nozzle size: | 020 |
| Flow rate max.: | 11 l/min |
| Length / Diameter: | 112 / Ø 50 mm |
| Weight: | 0,7 kg |
| Connection thread: | G 1/4" IG |

RB45-115



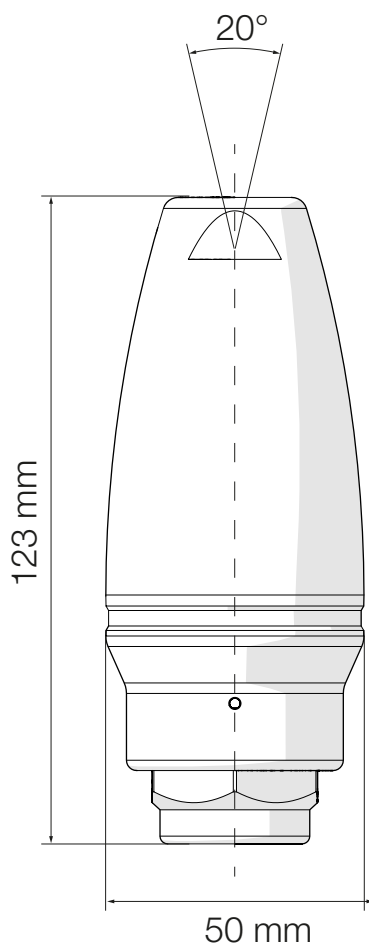
Marine

800 bar

Special features

- Flexible mounting direction

More info



Technical data

| | |
|--------------------|------------------|
| Pressure max.: | 800 bar |
| Spray angle: | 20° |
| Temperature max.: | 90 °C |
| Bearing: | Tungsten carbide |
| Nozzle: | Tungsten carbide |
| Nozzle size: | 020 - 100 |
| Flow rate max.: | 12 l/min |
| Length / Diameter: | 123 / Ø 50 mm |
| Weight: | 1,0 kg |
| Connection thread: | G 1/4" IG |

RB45-125



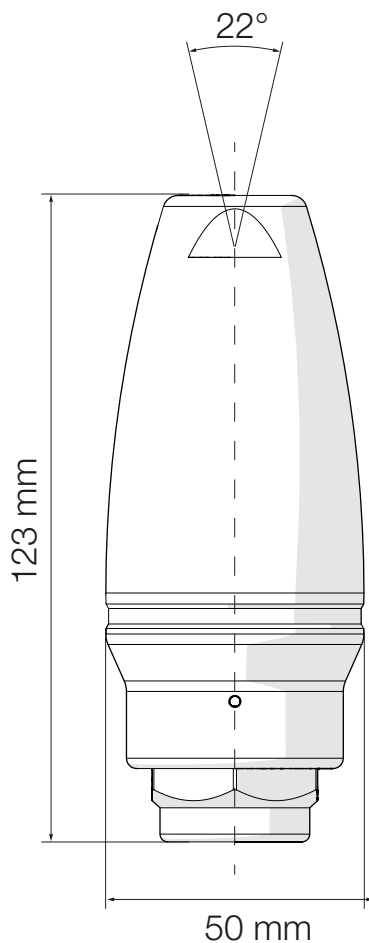
Marine

800 bar

Special features

- ▶ Flexible mounting direction
- ▶ Resistant to dirt
- ▶ More security with soft start

More info



Technical data

| | |
|--------------------|------------------|
| Pressure max.: | 800 bar |
| Spray angle: | 22° |
| Temperature max.: | 150 °C |
| Bearing: | Tungsten carbide |
| Nozzle: | Tungsten carbide |
| Nozzle size: | 020 - 120 |
| Flow rate max.: | 72 l/min |
| Length / Diameter: | 123 / Ø 50 mm |
| Weight: | 1,0 kg |
| Connection thread: | G 1/4" IG |

RB45-130



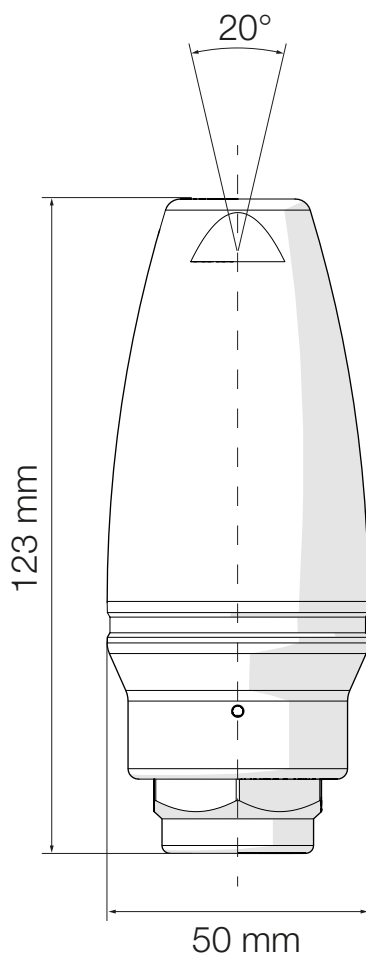
Marine

800 bar

Special features

- ▶ Flexible mounting direction
- ▶ Resistant to dirt

More info



Technical data

| | |
|--------------------|------------------|
| Pressure max.: | 800 bar |
| Spray angle: | 20° |
| Temperature max.: | 90 °C |
| Bearing: | Tungsten carbide |
| Nozzle: | Tungsten carbide |
| Nozzle size: | 020 - 090 |
| Flow rate max.: | 58 l/min |
| Length / Diameter: | 123 / Ø 50 mm |
| Weight: | 1,0 kg |
| Connection thread: | G 1/4" IG |

RB55-120



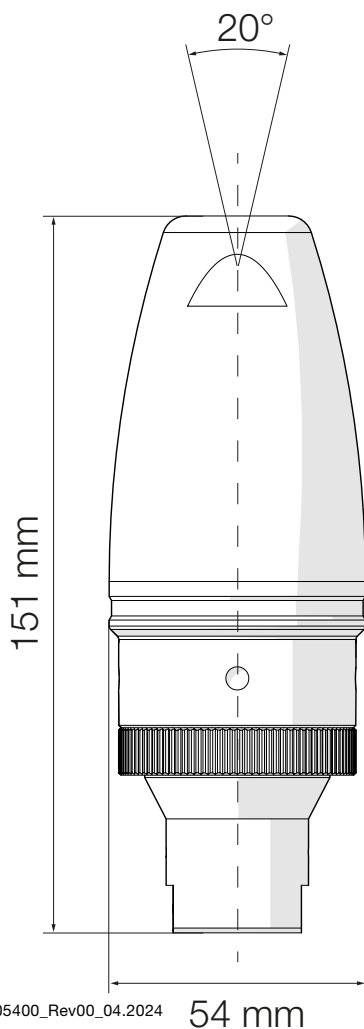
Marine

1000 bar

Special features

- Flexible mounting direction

More info



Technical data

| | |
|--------------------|------------------|
| Pressure max.: | 1000 bar |
| Spray angle: | 20° |
| Temperature max.: | 90 °C |
| Bearing: | Tungsten carbide |
| Nozzle: | Tungsten carbide |
| Nozzle size: | 014 - 110 |
| Flow rate max.: | 58 l/min |
| Length / Diameter: | 151 / Ø 54 mm |
| Weight: | 1,4 kg |
| Connection thread: | G 1/4" IG |

RB55-125



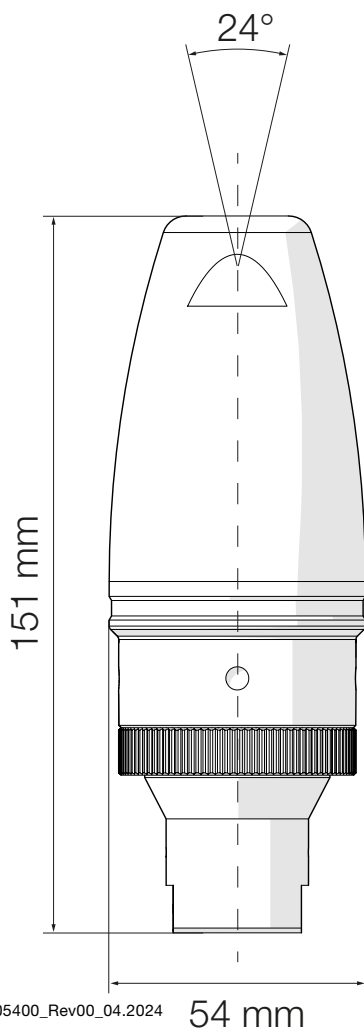
Marine

1000 bar

Special features

- ▶ Flexible mounting direction
- ▶ Resistant to dirt
- ▶ More security with soft start

More info



Technical data

| | |
|--------------------|------------------|
| Pressure max.: | 1000 bar |
| Spray angle: | 24° |
| Temperature max.: | 90 °C |
| Bearing: | Tungsten carbide |
| Nozzle: | Tungsten carbide |
| Nozzle size: | 014 - 110 |
| Flow rate max.: | 79 l/min |
| Length / Diameter: | 151 / Ø 54 mm |
| Weight: | 1,4 kg |
| Connection thread: | G 1/4" IG |

RB55-130



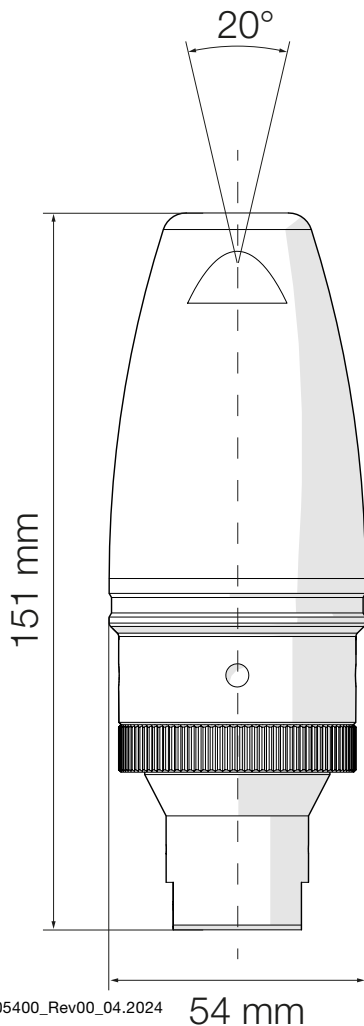
Marine

1000 bar

Special features

- Flexible mounting direction

More info



Technical data

| | |
|--------------------|------------------|
| Pressure max.: | 1000 bar |
| Spray angle: | 20° |
| Temperature max.: | 90 °C |
| Bearing: | Tungsten carbide |
| Nozzle: | Tungsten carbide |
| Nozzle size: | 014 - 110 |
| Flow rate max.: | 79 l/min |
| Length / Diameter: | 151 / Ø 54 mm |
| Weight: | 1,5 kg |
| Connection thread: | G 1/4" IG |

RB55-135



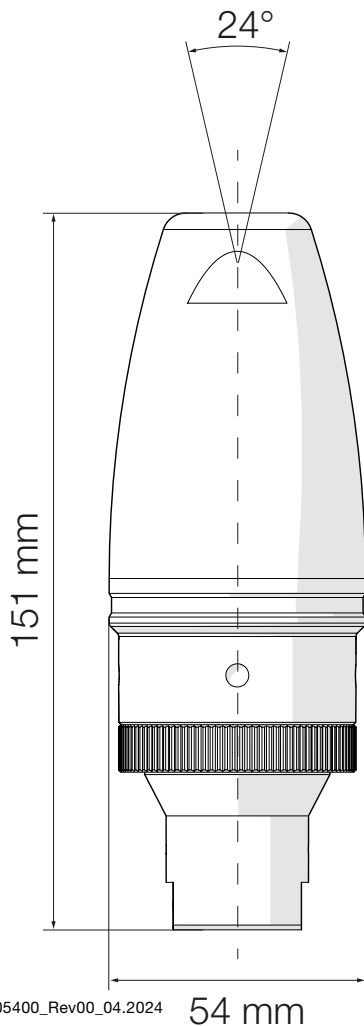
Marine

1000 bar

Special features

- ▶ Flexible mounting direction
- ▶ Resistant to dirt

More info



Technical data

| | |
|--------------------|------------------|
| Pressure max.: | 1000 bar |
| Spray angle: | 24° |
| Temperature max.: | 90 °C |
| Bearing: | Tungsten carbide |
| Nozzle: | Tungsten carbide |
| Nozzle size: | 014 - 110 |
| Flow rate max.: | 79 l/min |
| Length / Diameter: | 151 / Ø 54 mm |
| Weight: | 1,5 kg |
| Connection thread: | G 1/4" IG |

TEV-JÄGER