

RC04-100

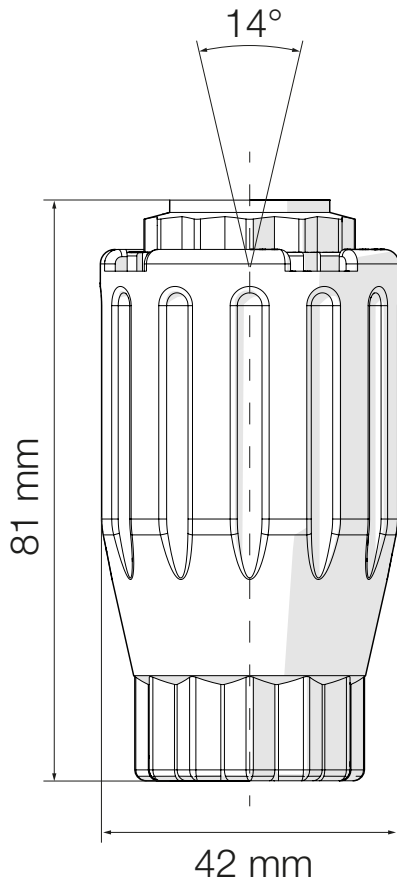


Street cleaning

130 bar

Special features

More info



Technical data

Pressure max.:	130 bar
Spray angle:	14°
Temperature max.:	40 °C
Bearing:	Ceramics
Nozzle:	Ceramics
Nozzle size:	025-045
Flow rate max.:	12 l/min
Length / Diameter:	81 / Ø 42 mm
Weight:	0,2 kg
Connection thread:	G 1/4" IG

RC04-105

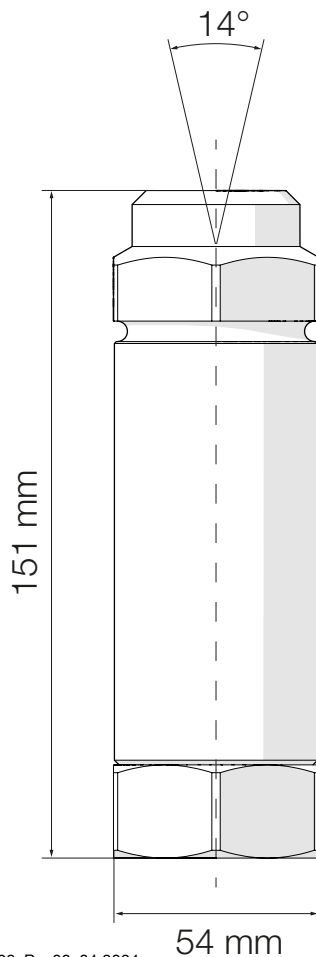


Street cleaning

130 bar

Special features

More info



Technical data

Pressure max.:	130 bar
Spray angle:	14°
Temperature max.:	40 °C
Bearing:	Kunststoff
Nozzle:	Messing
Nozzle size:	035-045
Flow rate max.:	11 l/min
Length / Diameter:	72 / Ø 25 mm
Weight:	0,2 kg
Connection thread:	G 1/4" IG

RA05-115

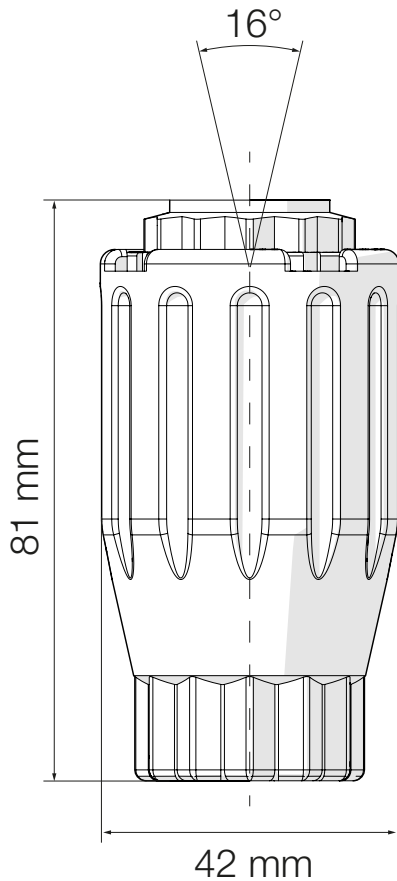


Street cleaning

150 bar

Special features

More info



Technical data

Pressure max.:	150 bar
Spray angle:	16°
Temperature max.:	90 °C
Bearing:	Ceramics
Nozzle:	Ceramics
Nozzle size:	025-045
Flow rate max.:	12 l/min
Length / Diameter:	81 / Ø 42 mm
Weight:	0,2 kg
Connection thread:	G 1/4" IG

RA05-120



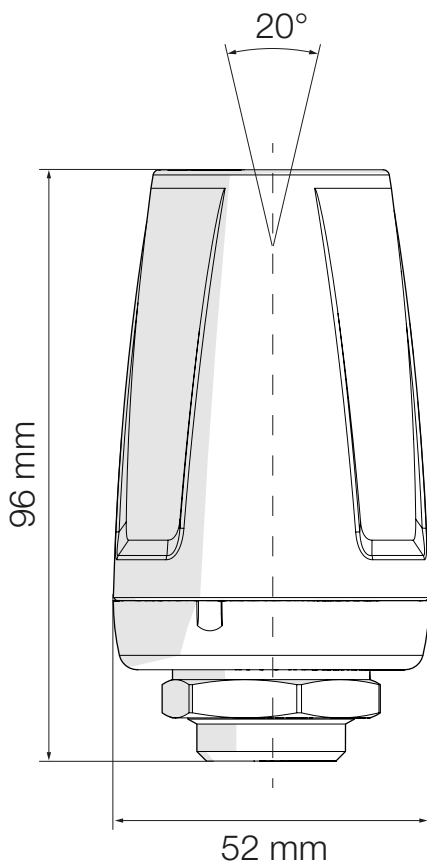
Street cleaning

150 bar

Special features

- ▶ Flexible mounting direction
- ▶ Resistant to dirt

More info



Technical data

Pressure max.:	150 bar
Spray angle:	20°
Temperature max.:	100 °C
Bearing:	Ceramics
Nozzle:	Ceramics
Nozzle size:	035-070
Flow rate max.:	19 l/min
Length / Diameter:	96 / Ø 52 mm
Weight:	0,3 kg
Connection thread:	G 1/4" IG

RA11-100



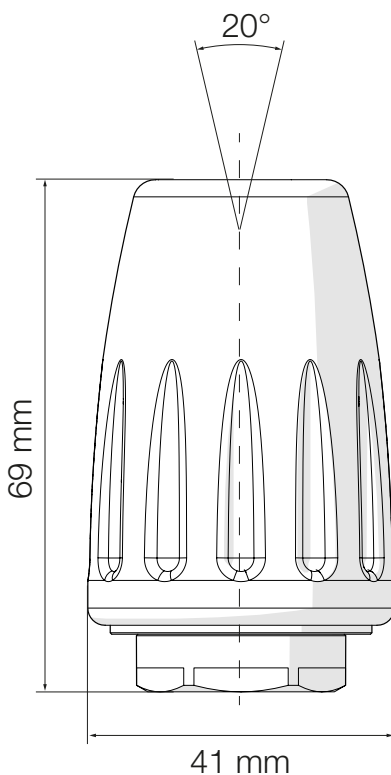
Street cleaning

210 bar

Special features

- Flexible mounting direction

More info



Technical data

Pressure max.:	210 bar
Spray angle:	20°
Temperature max.:	90 °C
Bearing:	Ceramics
Nozzle:	Ceramics
Nozzle size:	022-045
Flow rate max.:	15 l/min
Length / Diameter:	69 / Ø 41 mm
Weight:	0,2 kg
Connection thread:	G 1/4" IG

RA11-110



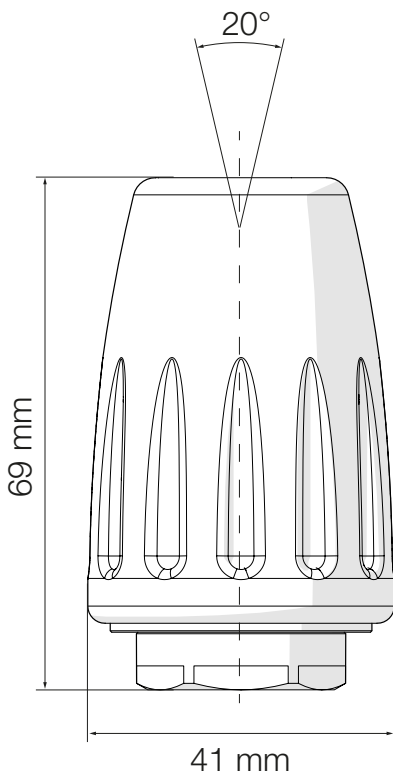
Street cleaning

210 bar

Special features

- ▶ Flexible mounting direction
- ▶ Resistant to dirt

More info



Technical data

Pressure max.:	210 bar
Spray angle:	20°
Temperature max.:	90 °C
Bearing:	Ceramics
Nozzle:	Ceramics
Nozzle size:	022-045
Flow rate max.:	15 l/min
Length / Diameter:	69 / Ø 41 mm
Weight:	0,2 kg
Connection thread:	G 1/4" IG

RA16-100

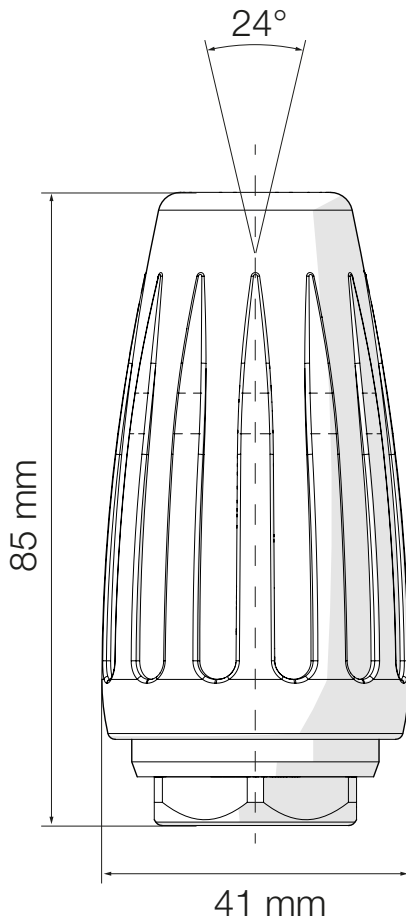


Street cleaning

255 bar

Special features

More info



Technical data

Pressure max.:	255 bar
Spray angle:	24°
Temperature max.:	90 °C
Bearing:	Ceramics
Nozzle:	Ceramics
Nozzle size:	020-120
Flow rate max.:	44 l/min
Length / Diameter:	85 / Ø 41 mm
Weight:	0,3 kg
Connection thread:	G 1/4" IG

RA16-115



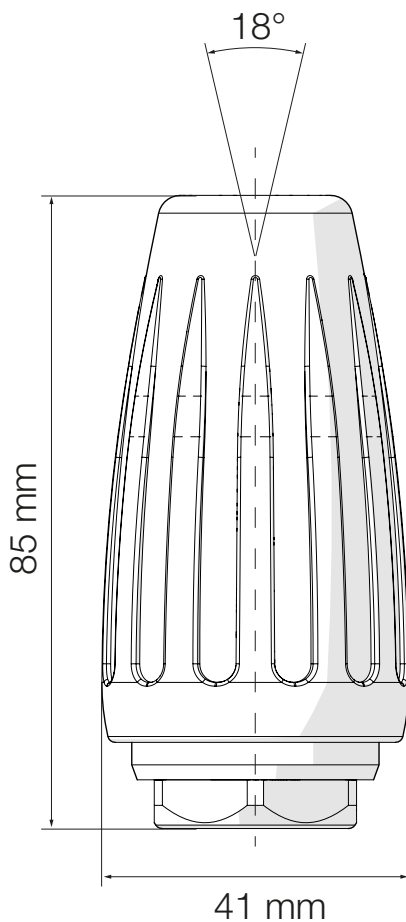
Street cleaning

255 bar

Special features

- Flexible mounting direction

More info



Technical data

Pressure max.:	255 bar
Spray angle:	18°
Temperature max.:	90 °C
Bearing:	Ceramics
Nozzle:	Ceramics
Nozzle size:	020-110
Flow rate max.:	40 l/min
Length / Diameter:	85 / Ø 41 mm
Weight:	0,3 kg
Connection thread:	G 1/4" IG

RA16-125



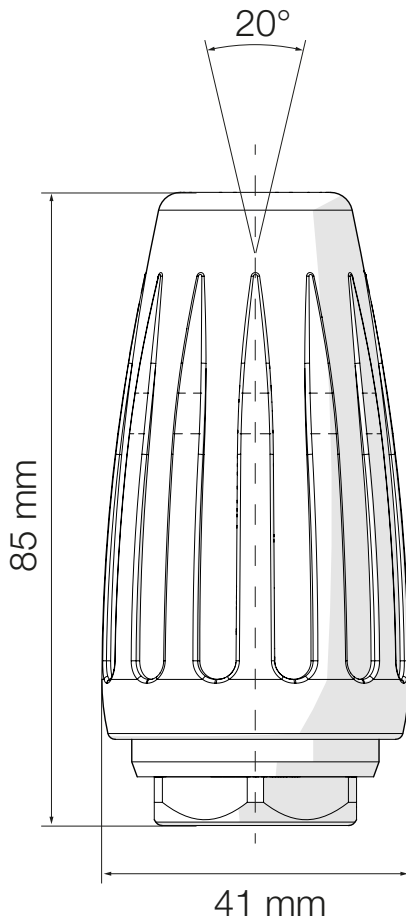
Street cleaning

255 bar

Special features

- Flexible mounting direction

More info



Technical data

Pressure max.:	255 bar
Spray angle:	20°
Temperature max.:	90 °C
Bearing:	Ceramics
Nozzle:	Ceramics
Nozzle size:	020-100
Flow rate max.:	36 l/min
Length / Diameter:	85 / Ø 41 mm
Weight:	0,3 kg
Connection thread:	G 1/4" IG

RA16-130



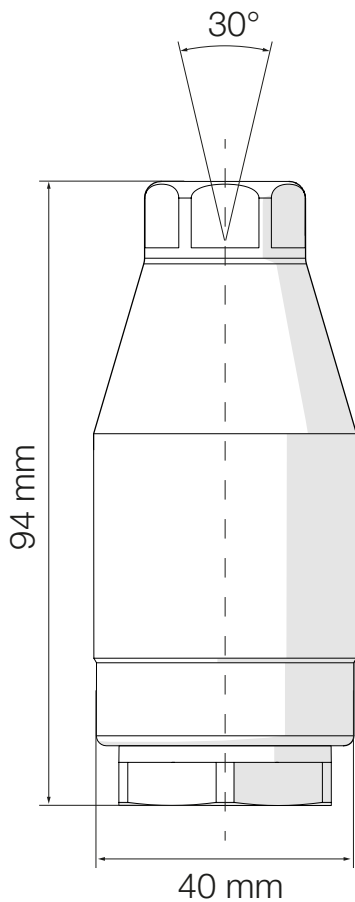
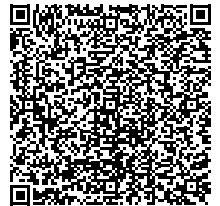
Street cleaning

255 bar

Special features

- Flexible mounting direction

More info



Technical data

Pressure max.:	255 bar
Spray angle:	30°
Temperature max.:	90 °C
Bearing:	Ceramics
Nozzle:	Ceramics
Nozzle size:	020-085
Flow rate max.:	31 l/min
Length / Diameter:	94 / Ø 40 mm
Weight:	0,5 kg
Connection thread:	G 1/4" IG

RA16-135



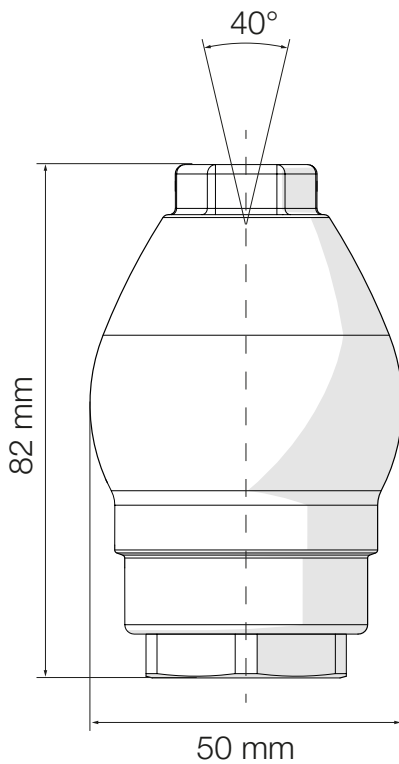
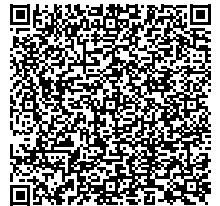
Street cleaning

255 bar

Special features

- Flexible mounting direction

More info



Technical data

Pressure max.:	255 bar
Spray angle:	40°
Temperature max.:	90 °C
Bearing:	Ceramics
Nozzle:	Ceramics
Nozzle size:	020-055
Flow rate max.:	20 l/min
Length / Diameter:	82 / Ø 50 mm
Weight:	0,5 kg
Connection thread:	G 1/4" IG

RA16-140



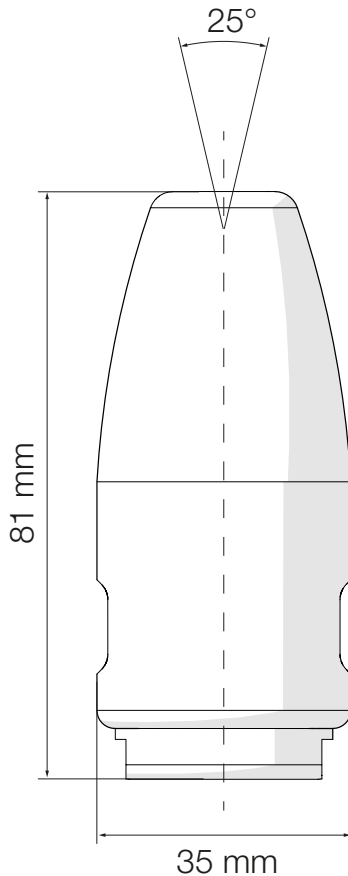
Street cleaning

255 bar

Special features

- Flexible mounting direction

More info



Technical data

Pressure max.:	255 bar
Spray angle:	25°
Temperature max.:	90 °C
Bearing:	Ceramics
Nozzle:	Ceramics
Nozzle size:	020 - 120
Flow rate max.:	44 l/min
Length / Diameter:	81 / Ø 35 mm
Weight:	0,3 kg
Connection thread:	G 1/4" IG

RA16-175



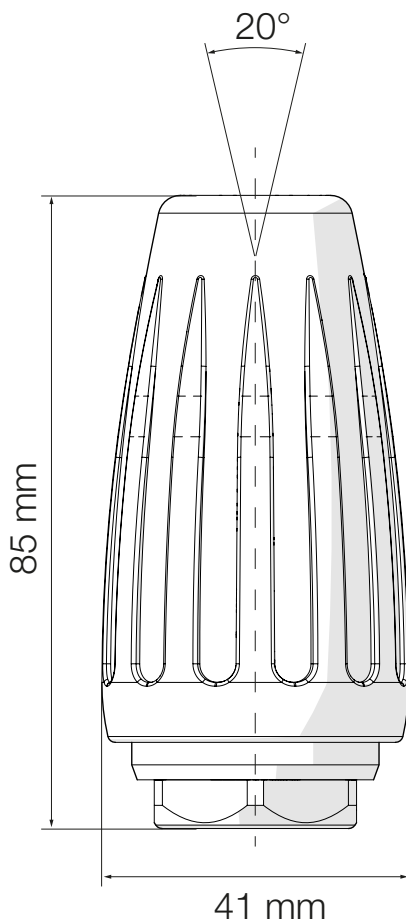
Street cleaning

255 bar

Special features

- Flexible mounting direction

More info



Technical data

Pressure max.:	255 bar
Spray angle:	24°
Temperature max.:	90 °C
Bearing:	Ceramics
Nozzle:	Ceramics
Nozzle size:	020-120
Flow rate max.:	44 l/min
Length / Diameter:	82 / Ø 50 mm
Weight:	0,5 kg
Connection thread:	G 1/4" IG

RA16-220

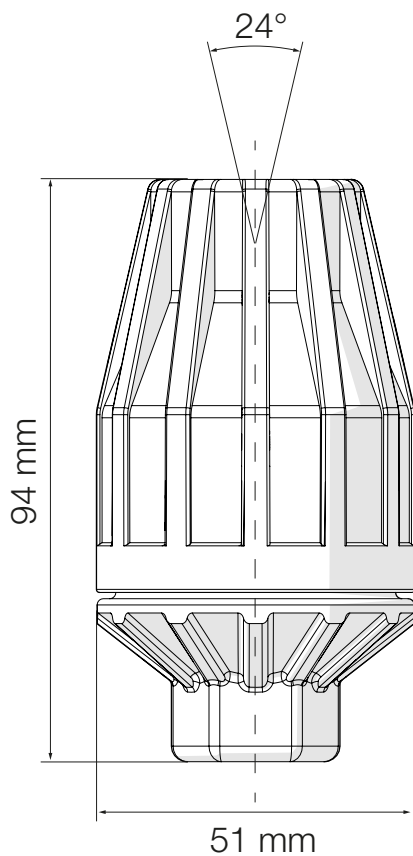


Street cleaning

255 bar

Special features

More info



Technical data

Pressure max.:	255 bar
Spray angle:	20°
Temperature max.:	90 °C
Bearing:	Ceramics
Nozzle:	Ceramics
Nozzle size:	040-110
Flow rate max.:	40 l/min
Length / Diameter:	94 / Ø 51 mm
Weight:	0,5 kg
Connection thread:	G 1/4" IG

RA18-100



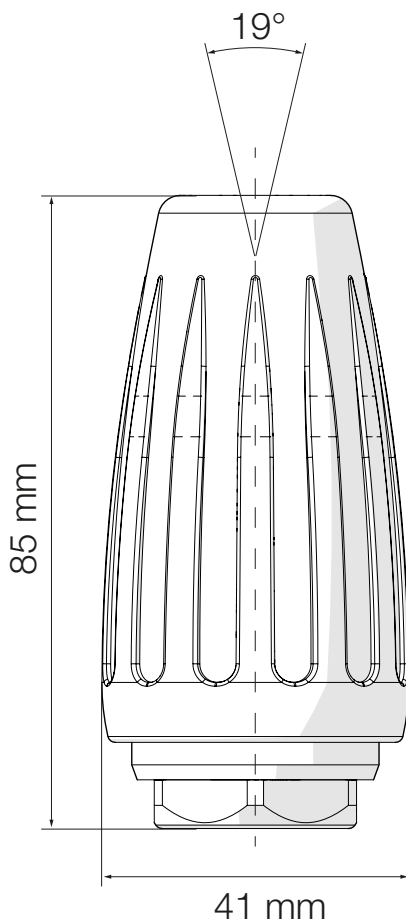
Street cleaning

280 bar

Special features

- ▶ Flexible mounting direction
- ▶ Resistant to dirt

More info



Technical data

Pressure max.:	280 bar
Spray angle:	19°
Temperature max.:	90 °C
Bearing:	Ceramics
Nozzle:	Ceramics
Nozzle size:	025-085
Flow rate max.:	32 l/min
Length / Diameter:	85 / Ø 41 mm
Weight:	0,3 kg
Connection thread:	G 1/4" IG

RA21-100

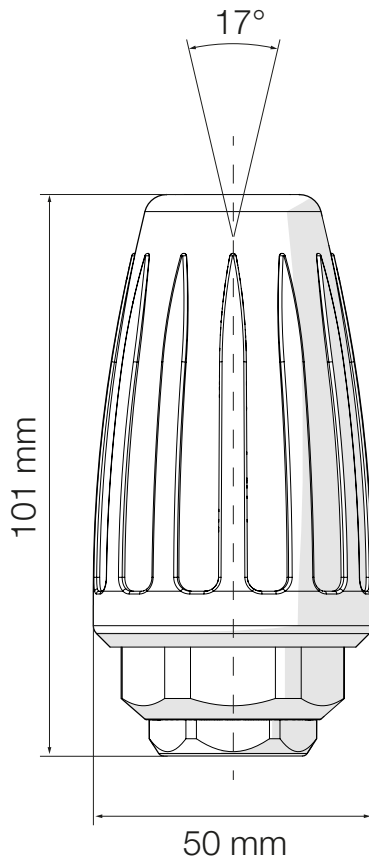


Street cleaning

310 bar

Special features

More info



Technical data

Pressure max.:	310 bar
Spray angle:	17°
Temperature max.:	90 °C
Bearing:	Ceramics
Nozzle:	Ceramics
Nozzle size:	020 - 060
Flow rate max.:	24 l/min
Length / Diameter:	101 / Ø 50 mm
Weight:	0,5 kg
Connection thread:	G 1/4" IG

RA30-100

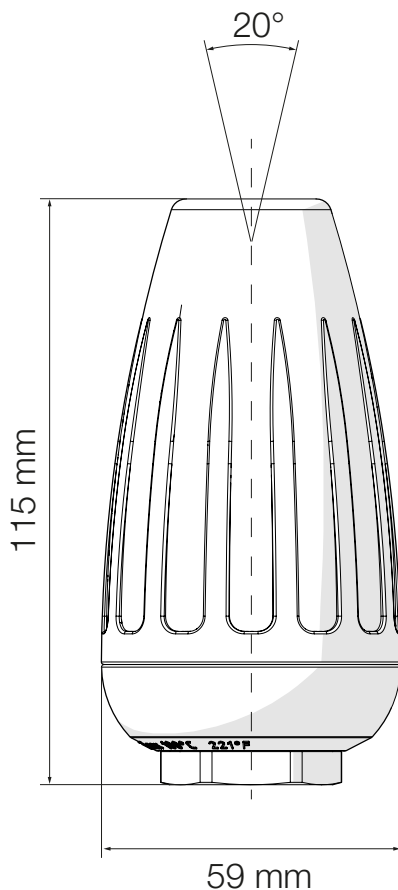


Street cleaning

400 bar

Special features

More info



Technical data

Pressure max.:	400 bar
Spray angle:	20°
Temperature max.:	90 °C
Bearing:	Ceramics
Nozzle:	Ceramics
Nozzle size:	020 - 200
Flow rate max.:	86 l/min
Length / Diameter:	115 / Ø 59 mm
Weight:	0,8 kg
Connection thread:	G 1/4" IG

RA30-110

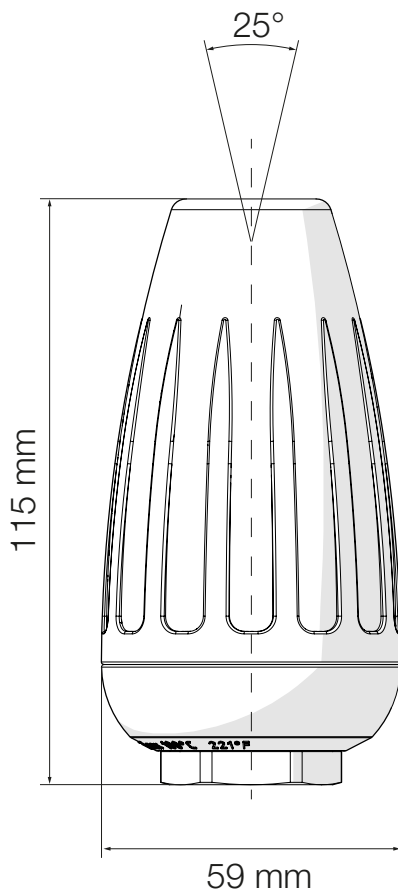


Street cleaning

400 bar

Special features

More info



Technical data

Pressure max.:	400 bar
Spray angle:	25°
Temperature max.:	90 °C
Bearing:	Ceramics
Nozzle:	Ceramics
Nozzle size:	020-200
Flow rate max.:	92 l/min
Length / Diameter:	115 / Ø 59 mm
Weight:	0,8 kg
Connection thread:	G 1/4" IG

RA30-115



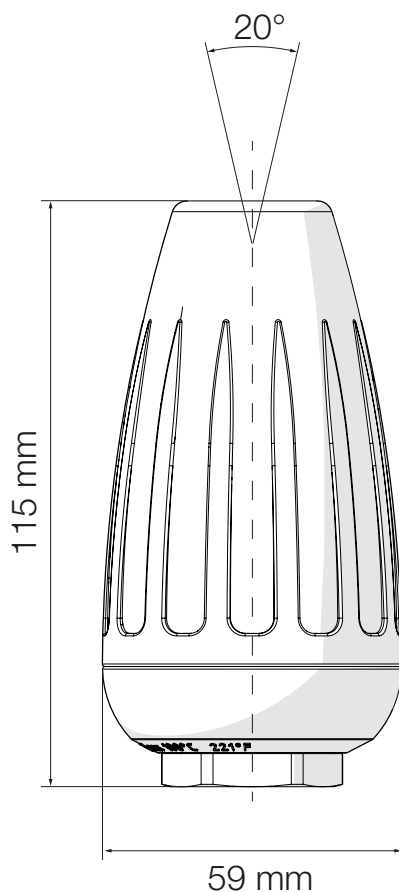
Street cleaning

400 bar

Special features

- ▶ Higher material removal rate

More info



Technical data

Pressure max.:	400 bar
Spray angle:	20°
Temperature max.:	90 °C
Bearing:	Ceramics
Nozzle:	Ceramics
Nozzle size:	020 - 060
Flow rate max.:	26 l/min
Length / Diameter:	115 / Ø 59 mm
Weight:	0,8 kg
Connection thread:	G 1/4" IG

RA30-120

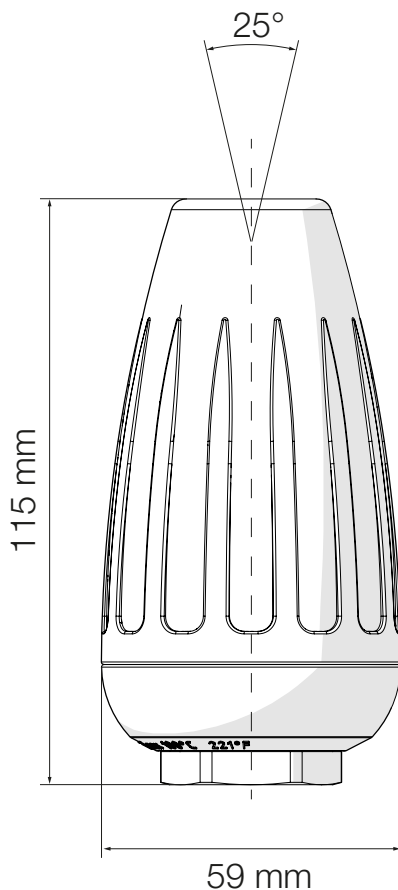


Street cleaning

400 bar

Special features

More info



Technical data

Pressure max.:	400 bar
Spray angle:	25°
Temperature max.:	150 °C
Bearing:	Ceramics
Nozzle:	Ceramics
Nozzle size:	020 - 200
Flow rate max.:	86 l/min
Length / Diameter:	115 / Ø 59 mm
Weight:	0,8 kg
Connection thread:	G 1/4" IG

PA16-160

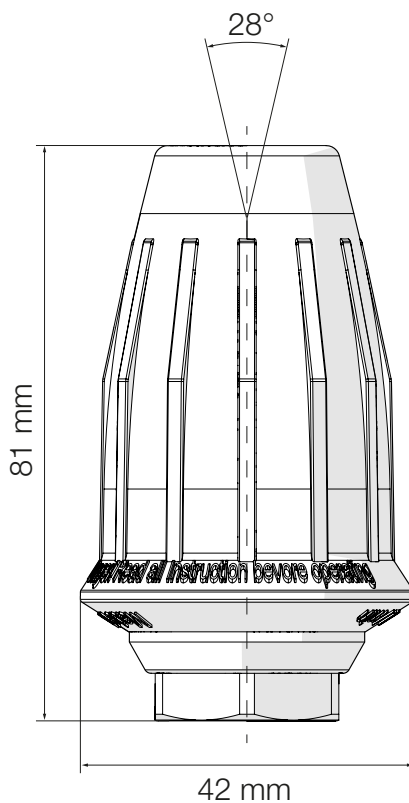


Street cleaning

255 bar

Special features

More info



Technical data

Pressure max.:	255 bar
Spray angle:	28°
Temperature max.:	90 °C
Bearing:	Ceramics
Nozzle:	Ceramics
Nozzle size:	025-055
Flow rate max.:	20 l/min
Length / Diameter:	85 / Ø 49 mm
Weight:	0,3 kg
Connection thread:	G 1/4" IG

PA16-170

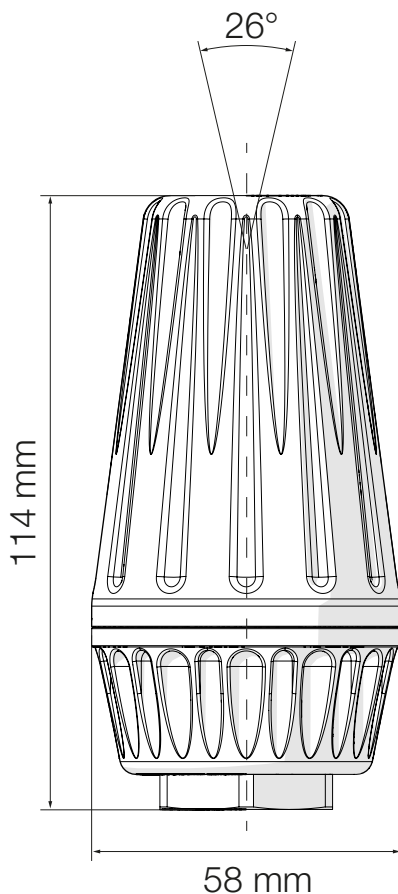


Street cleaning

255 bar

Special features

More info



Technical data

Pressure max.:	255 bar
Spray angle:	26°
Temperature max.:	90 °C
Bearing:	Ceramics
Nozzle:	Ceramics
Nozzle size:	020-070
Flow rate max.:	25 l/min
Length / Diameter:	114 / Ø 58 mm
Weight:	0,8 kg
Connection thread:	G 1/4" IG

MA16-165



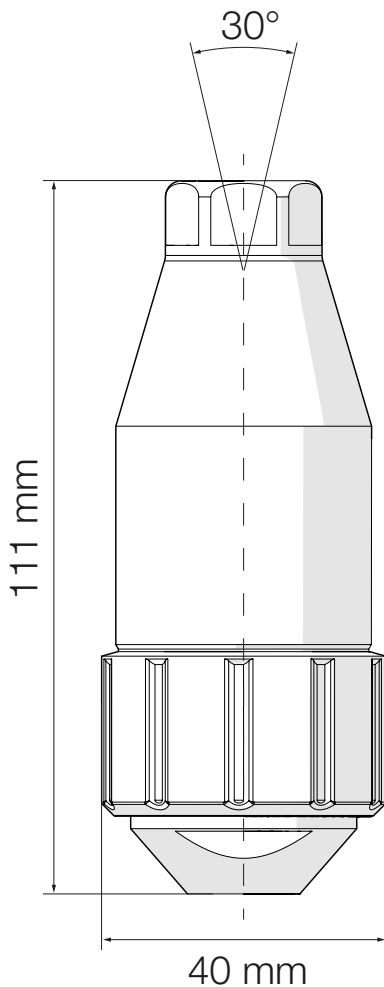
Street cleaning

255 bar

Special features

- ▶ Speed control

More info



Technical data

Pressure max.:	255 bar
Spray angle:	30°
Temperature max.:	90 °C
Bearing:	Ceramics
Nozzle:	Ceramics
Nozzle size:	020-060
Flow rate max.:	22 l/min
Length / Diameter:	111 / Ø 40 mm
Weight:	0,6 kg
Connection thread:	G 1/4" IG

MA16-240



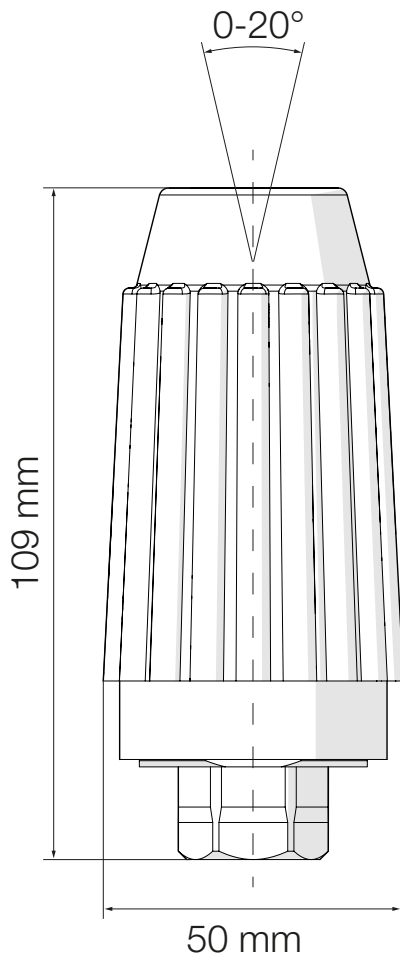
Street cleaning

255 bar

Special features

- Spray angle adjustment

More info



Technical data

Pressure max.:	255 bar
Spray angle:	0-20°
Temperature max.:	100 °C
Bearing:	Ceramics
Nozzle:	Ceramics
Nozzle size:	020-180
Flow rate max.:	65 l/min
Length / Diameter:	109 / Ø 50 mm
Weight:	0,5 kg
Connection thread:	G 1/4" IG

MA30-125



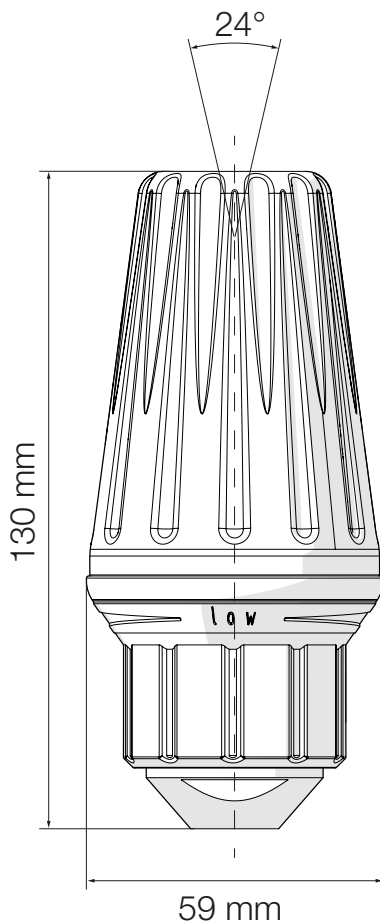
Street cleaning

400 bar

Special features

- ▶ Speed control

More info



Technical data

Pressure max.:	400 bar
Spray angle:	24°
Temperature max.:	150 °C
Bearing:	Ceramics
Nozzle:	Ceramics
Nozzle size:	020-100
Flow rate max.:	45 l/min
Length / Diameter:	130 / Ø 59 mm
Weight:	0,8 kg
Connection thread:	G 1/4" IG

SA25-105



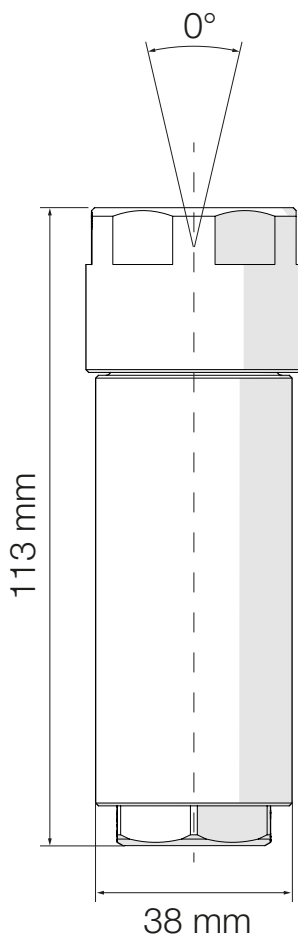
Street cleaning

350 bar

Special features

- Flexible mounting direction

More info



Technical data

Pressure max.:	350 bar
Spray angle:	0°
Temperature max.:	95 °C
Bearing:	-
Nozzle:	Ceramics
Nozzle size:	020 - 080
Flow rate max.:	34 l/min
Length / Diameter:	113 / Ø 38 mm
Weight:	0,7 kg
Connection thread:	G 1/4" IG