

RA11-110



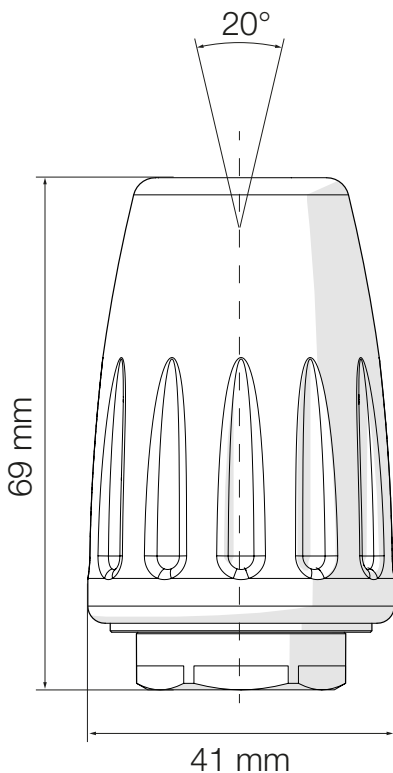
Plant engineering

210 bar

Special features

- ▶ Flexible mounting direction
- ▶ Resistant to dirt

More info



Technical data

Pressure max.:	210 bar
Spray angle:	20°
Temperature max.:	90 °C
Bearing:	Ceramics
Nozzle:	Ceramics
Nozzle size:	022-045
Flow rate max.:	15 l/min
Length / Diameter:	69 / Ø 41 mm
Weight:	0,2 kg
Connection thread:	G 1/4" IG

RA16-110



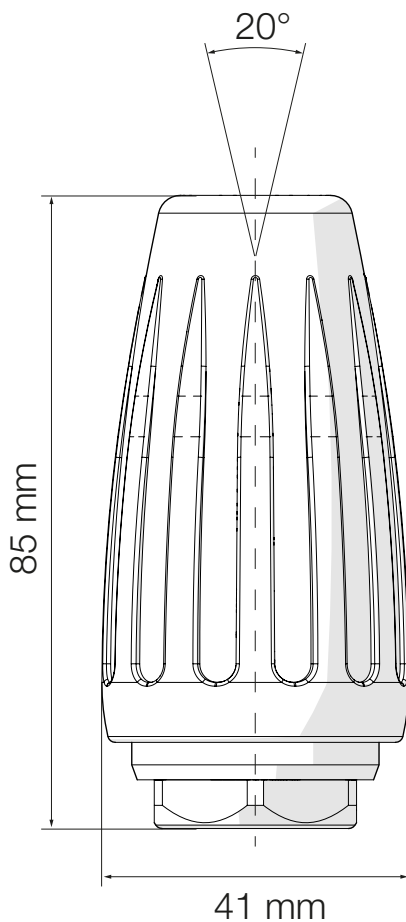
Plant engineering

255 bar

Special features

- ▶ Flexible mounting direction
- ▶ Resistant to dirt

More info



Technical data

Pressure max.:	255 bar
Spray angle:	20°
Temperature max.:	90 °C
Bearing:	Ceramics
Nozzle:	Ceramics
Nozzle size:	020-090
Flow rate max.:	33 l/min
Length / Diameter:	85 / Ø 41 mm
Weight:	0,3 kg
Connection thread:	G 1/4" IG

RA16-130



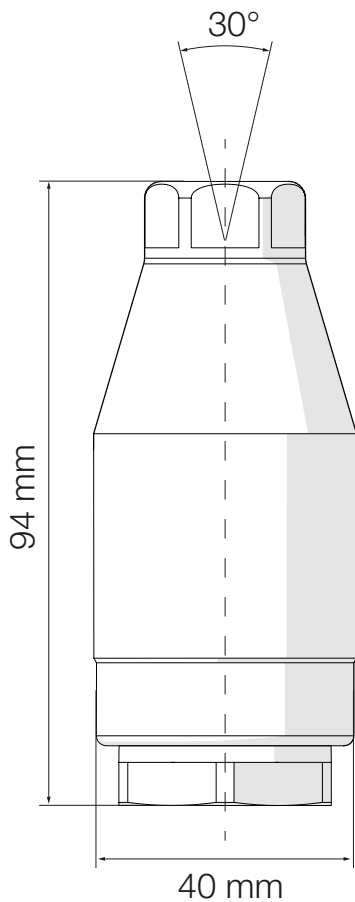
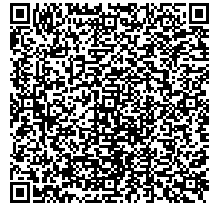
Plant engineering

255 bar

Special features

- Flexible mounting direction

More info



Technical data

Pressure max.:	255 bar
Spray angle:	30°
Temperature max.:	90 °C
Bearing:	Ceramics
Nozzle:	Ceramics
Nozzle size:	020-085
Flow rate max.:	31 l/min
Length / Diameter:	94 / Ø 40 mm
Weight:	0,5 kg
Connection thread:	G 1/4" IG

RA16-135



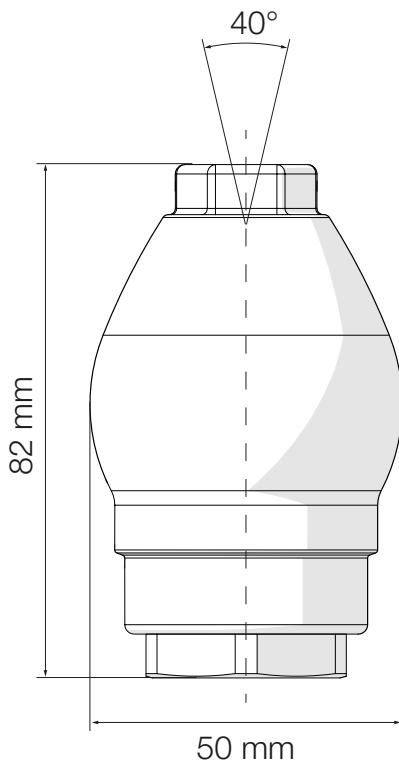
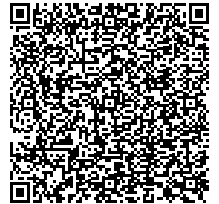
Plant engineering

255 bar

Special features

- Flexible mounting direction

More info



Technical data

Pressure max.:	255 bar
Spray angle:	40°
Temperature max.:	90 °C
Bearing:	Ceramics
Nozzle:	Ceramics
Nozzle size:	020-055
Flow rate max.:	20 l/min
Length / Diameter:	82 / Ø 50 mm
Weight:	0,5 kg
Connection thread:	G 1/4" IG

RA16-175



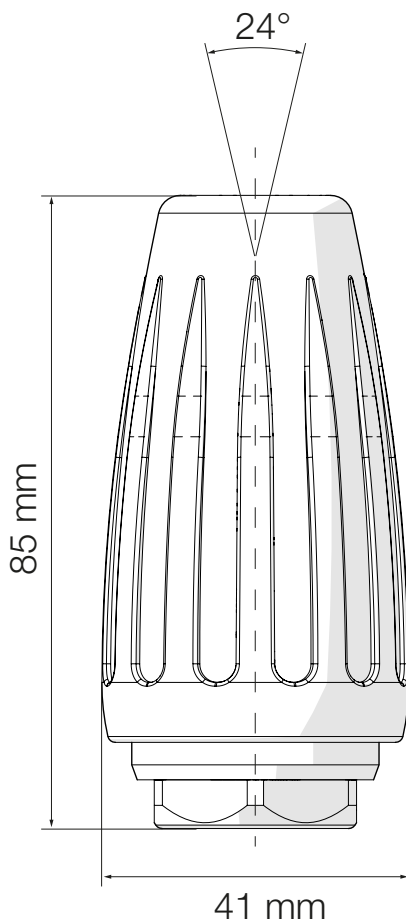
Plant engineering

255 bar

Special features

- Flexible mounting direction

More info



Technical data

Pressure max.:	255 bar
Spray angle:	24°
Temperature max.:	90 °C
Bearing:	Ceramics
Nozzle:	Ceramics
Nozzle size:	020 - 090
Flow rate max.:	33 l/min
Length / Diameter:	85 / Ø 41 mm
Weight:	0,3 kg
Connection thread:	G 1/4" IG

RA16-140



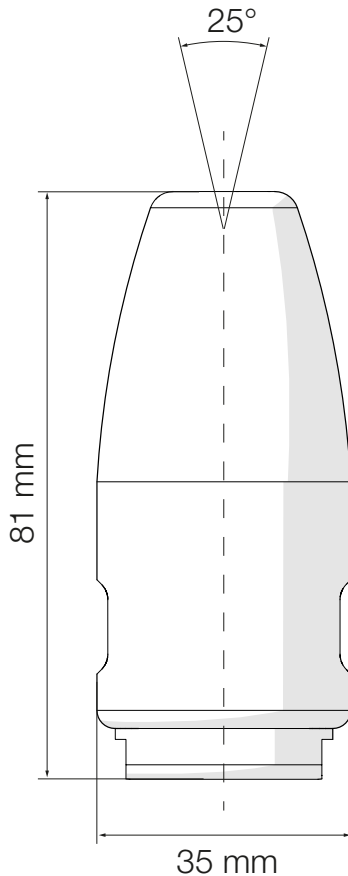
Plant engineering

255 bar

Special features

- ▶ Flexible mounting direction

More info



Technical data

Pressure max.:	255 bar
Spray angle:	25°
Temperature max.:	90 °C
Bearing:	Ceramics
Nozzle:	Ceramics
Nozzle size:	020 - 120
Flow rate max.:	44 l/min
Length / Diameter:	81 / Ø 35 mm
Weight:	0,3 kg
Connection thread:	G 1/4" IG

RA21-100

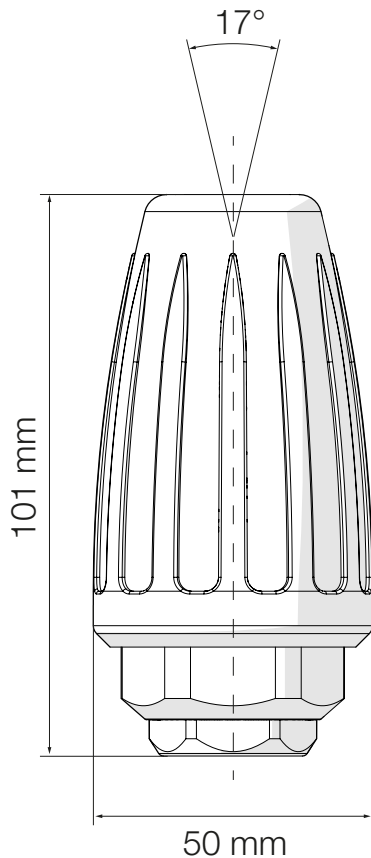


Plant engineering

310 bar

Special features

More info



Technical data

Pressure max.:	310 bar
Spray angle:	17°
Temperature max.:	90 °C
Bearing:	Ceramics
Nozzle:	Ceramics
Nozzle size:	020 - 060
Flow rate max.:	24 l/min
Length / Diameter:	101 / Ø 50 mm
Weight:	0,45 kg
Connection thread:	G 1/4" IG

RA30-100

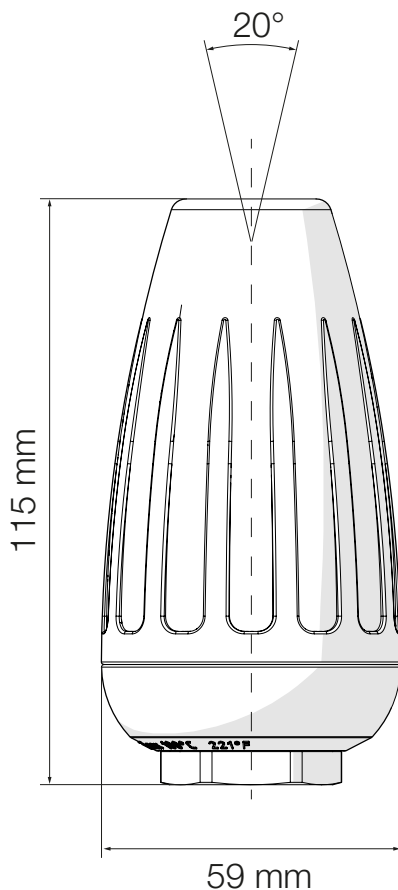


Plant engineering

400 bar

Special features

More info



Technical data

Pressure max.:	400 bar
Spray angle:	20°
Temperature max.:	90 °C
Bearing:	Ceramics
Nozzle:	Ceramics
Nozzle size:	020 - 200
Flow rate max.:	86 l/min
Length / Diameter:	115 / Ø 59 mm
Weight:	0,75 kg
Connection thread:	G 1/4" IG

RA30-110

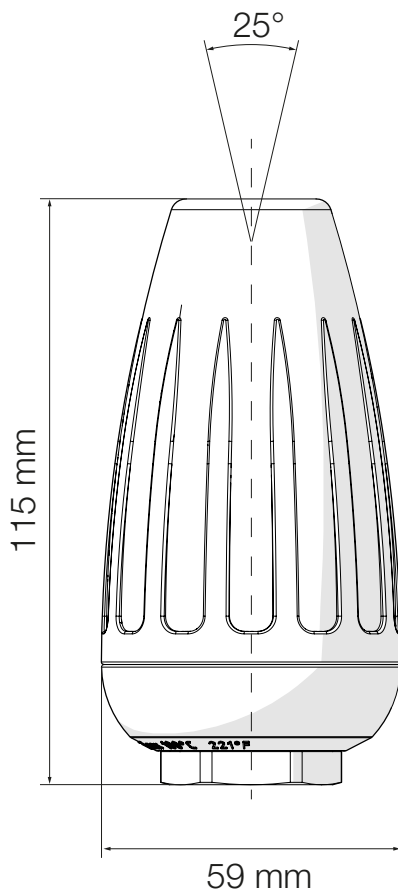


Plant engineering

400 bar

Special features

More info



Technical data

Pressure max.:	400 bar
Spray angle:	25°
Temperature max.:	90 °C
Bearing:	Ceramics
Nozzle:	Ceramics
Nozzle size:	020-200
Flow rate max.:	92 l/min
Length / Diameter:	115 / Ø 59 mm
Weight:	0,75 kg
Connection thread:	G 1/4" IG

RA30-115



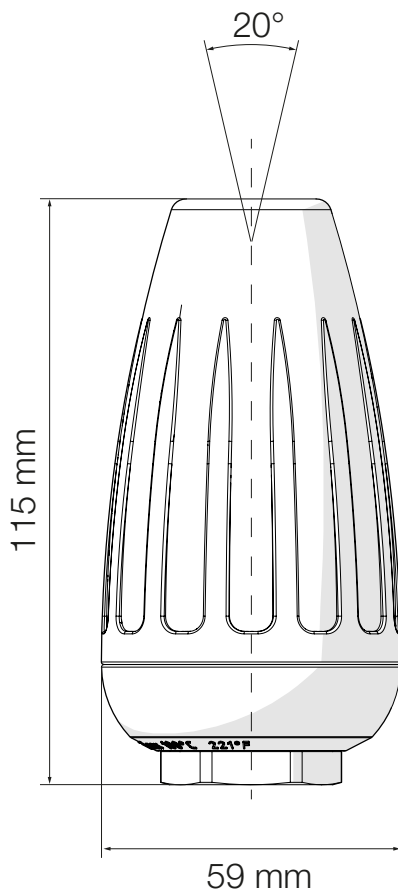
Plant engineering

400 bar

Special features

- Higher material removal rate

More info



Technical data

Pressure max.:	400 bar
Spray angle:	20°
Temperature max.:	90 °C
Bearing:	Ceramics
Nozzle:	Ceramics
Nozzle size:	020 - 060
Flow rate max.:	26 l/min
Length / Diameter:	115 / Ø 59 mm
Weight:	0,75 kg
Connection thread:	G 1/4" IG

RA30-120

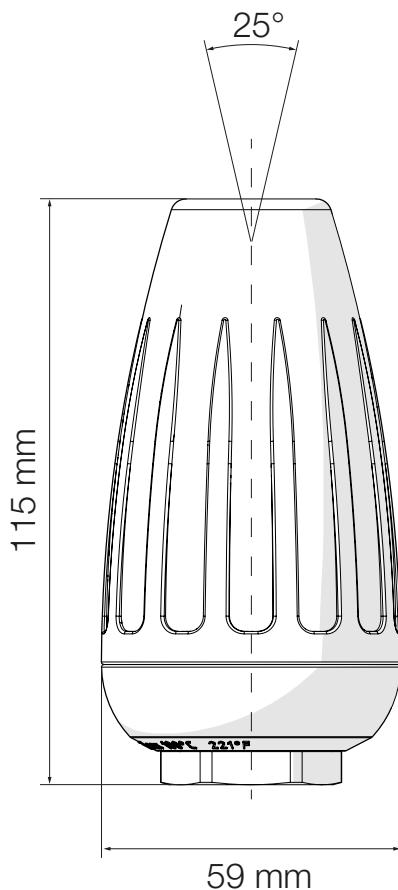


Plant engineering

400 bar

Special features

More info



Technical data

Pressure max.:	400 bar
Spray angle:	25°
Temperature max.:	150 °C
Bearing:	Ceramics
Nozzle:	Ceramics
Nozzle size:	020 - 200
Flow rate max.:	86 l/min
Length / Diameter:	115 / Ø 59 mm
Weight:	0,75 kg
Connection thread:	G 1/4" IG

RA30-155



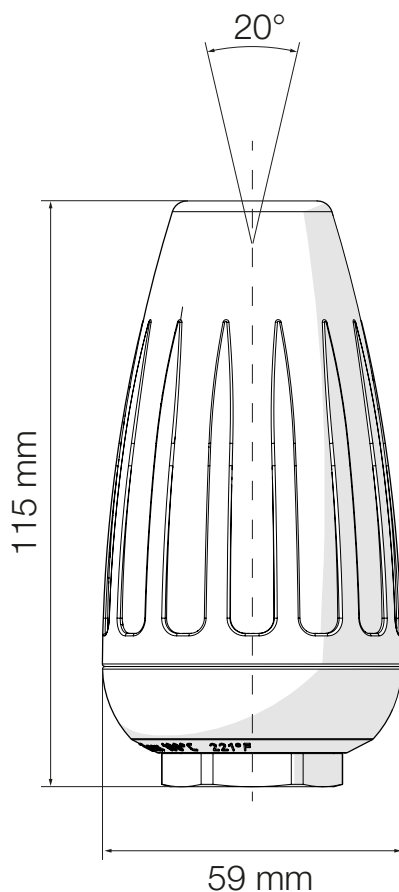
Plant engineering

400 bar

Special features

- ▶ Flexible mounting direction
- ▶ Resistant to dirt

More info



Technical data

Pressure max.:	400 bar
Spray angle:	20°
Temperature max.:	90 °C
Bearing:	Ceramics
Nozzle:	Ceramics
Nozzle size:	035
Flow rate max.:	16 l/min
Length / Diameter:	115 / Ø 59 mm
Weight:	0,75 kg
Connection thread:	G 1/4" IG

RB35-165



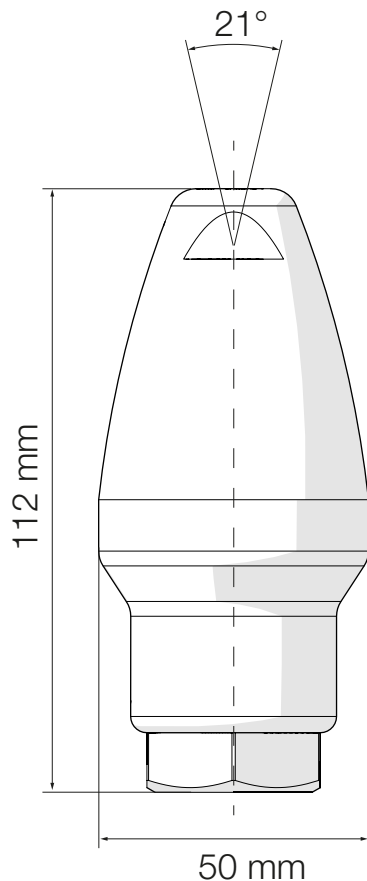
Plant engineering

600 bar

Special features

- ▶ Flexible mounting direction
- ▶ Resistant to dirt

More info



Technical data

Pressure max.:	600 bar
Spray angle:	21°
Temperature max.:	150 °C
Bearing:	Tungsten carbide
Nozzle:	Tungsten carbide
Nozzle size:	020-075
Flow rate max.:	42 l/min
Length / Diameter:	112 / Ø 50 mm
Weight:	0,7 kg
Connection thread:	G 1/4" IG

RB45-125



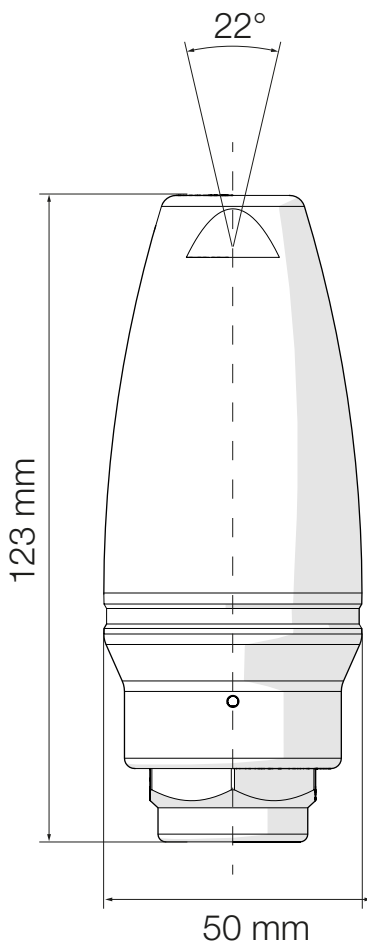
Plant engineering

800 bar

Special features

- ▶ Flexible mounting direction
- ▶ Resistant to dirt
- ▶ More security with soft start

More info



Technical data

Pressure max.:	800 bar
Spray angle:	22°
Temperature max.:	150 °C
Bearing:	Tungsten carbide
Nozzle:	Tungsten carbide
Nozzle size:	020 - 120
Flow rate max.:	72 l/min
Length / Diameter:	123 / Ø 50 mm
Weight:	1,0 kg
Connection thread:	G 1/4" IG