

# RA05 -120



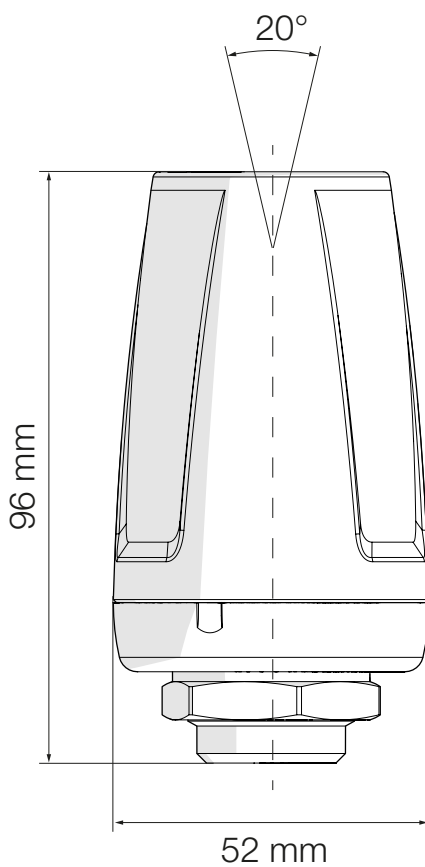
**CarWash**

**150 bar**

## Special features

- ▶ Flexible mounting direction
- ▶ Resistant to dirt

## More info



## Technical data

Pressure max.:	150 bar
Spray angle:	20°
Temperature max.:	100 °C
Bearing:	Ceramics
Nozzle:	Ceramics
Nozzle size:	035-070
Flow rate max.:	19 l/min
Length / Diameter:	96 / Ø 52 mm
Weight:	0,3 kg
Connection thread:	G 1/4" IG

# RA11-100



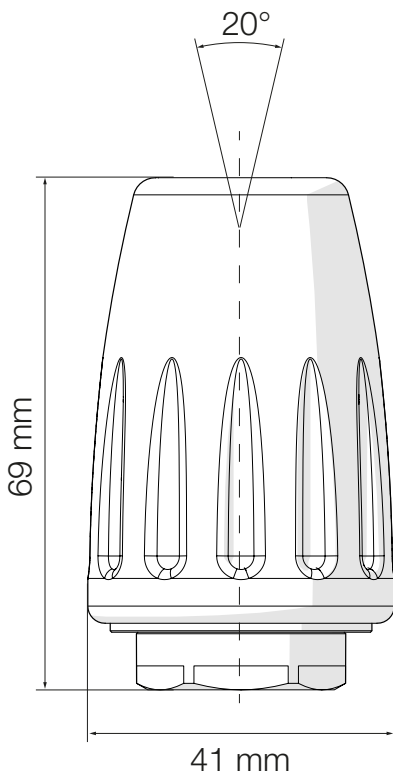
**CarWash**

**210 bar**

## Special features

- Flexible mounting direction

## More info



## Technical data

Pressure max.:	210 bar
Spray angle:	20°
Temperature max.:	90 °C
Bearing:	Ceramics
Nozzle:	Ceramics
Nozzle size:	022-045
Flow rate max.:	15 l/min
Length / Diameter:	69 / Ø 41 mm
Weight:	0,2 kg
Connection thread:	G 1/4" IG

# RA11-110



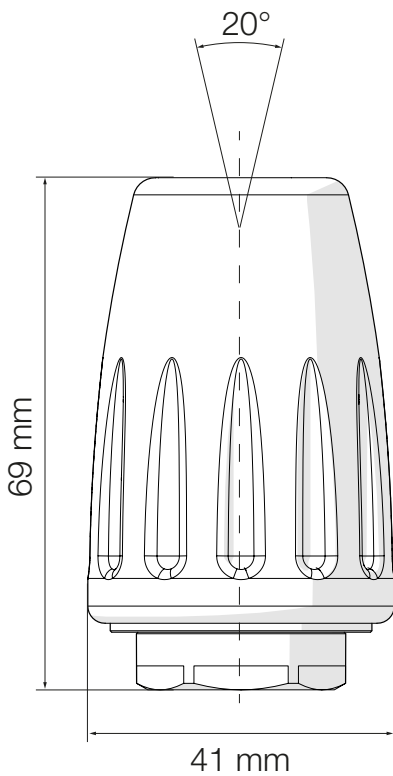
**CarWash**

**210 bar**

## Special features

- ▶ Flexible mounting direction
- ▶ Resistant to dirt

## More info



## Technical data

Pressure max.:	210 bar
Spray angle:	20°
Temperature max.:	90 °C
Bearing:	Ceramics
Nozzle:	Ceramics
Nozzle size:	022-045
Flow rate max.:	15 l/min
Length / Diameter:	69 / Ø 41 mm
Weight:	0,2 kg
Connection thread:	G 1/4" IG

# RA16-110



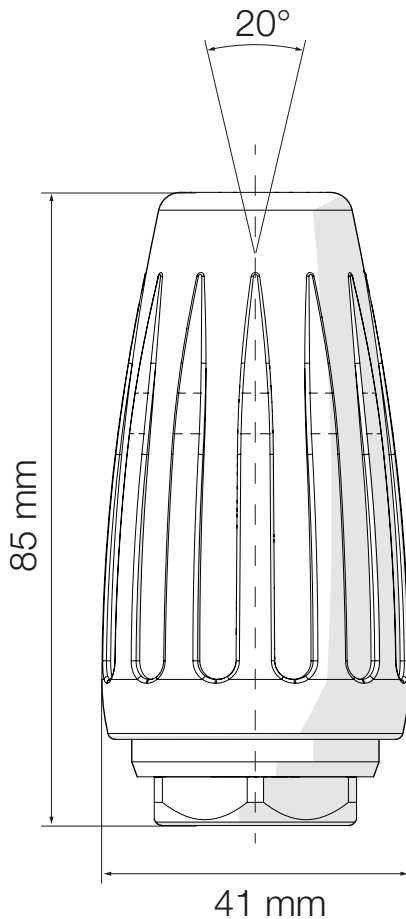
**CarWash**

**255 bar**

## Special features

- ▶ Flexible mounting direction
- ▶ Resistant to dirt

## More info



## Technical data

Pressure max.:	255 bar
Spray angle:	20°
Temperature max.:	90 °C
Bearing:	Ceramics
Nozzle:	Ceramics
Nozzle size:	020-090
Flow rate max.:	33 l/min
Length / Diameter:	85 / Ø 41 mm
Weight:	0,3 kg
Connection thread:	G 1/4" IG

# RA16-125



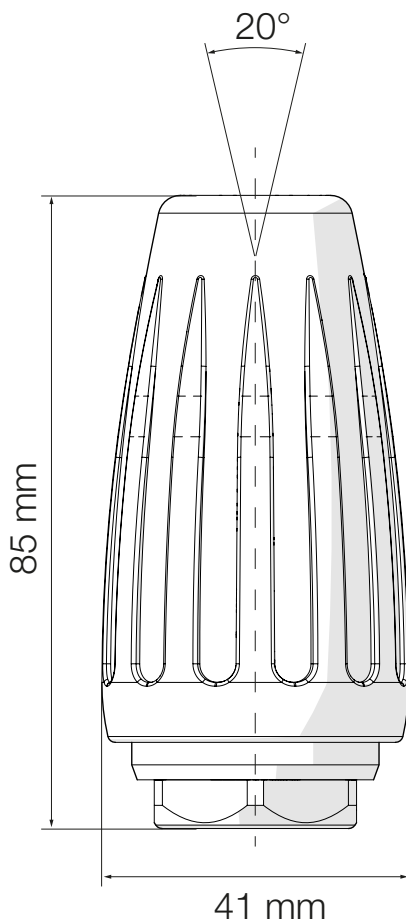
**CarWash**

**255 bar**

## Special features

- Flexible mounting direction

## More info



## Technical data

Pressure max.:	255 bar
Spray angle:	20°
Temperature max.:	90 °C
Bearing:	Ceramics
Nozzle:	Ceramics
Nozzle size:	020-100
Flow rate max.:	36 l/min
Length / Diameter:	85 / Ø 41 mm
Weight:	0,3 kg
Connection thread:	G 1/4" IG

# RA16-130



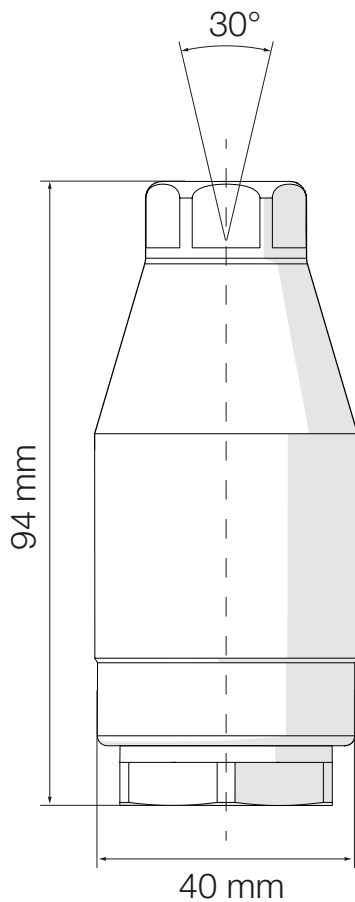
**CarWash**

**255 bar**

## Special features

- Flexible mounting direction

## More info



## Technical data

Pressure max.:	255 bar
Spray angle:	30°
Temperature max.:	90 °C
Bearing:	Ceramics
Nozzle:	Ceramics
Nozzle size:	020-085
Flow rate max.:	31 l/min
Length / Diameter:	94 / Ø 40 mm
Weight:	0,5 kg
Connection thread:	G 1/4" IG

# RA16-135



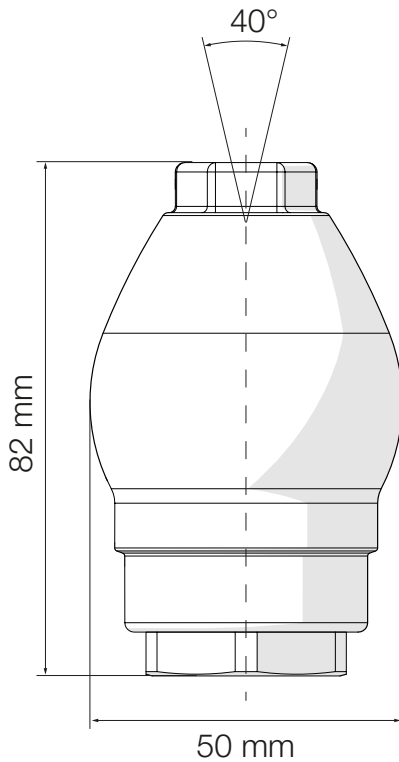
**CarWash**

**255 bar**

## Special features

- Flexible mounting direction

## More info



## Technical data

Pressure max.:	255 bar
Spray angle:	40°
Temperature max.:	90 °C
Bearing:	Ceramics
Nozzle:	Ceramics
Nozzle size:	020-055
Flow rate max.:	20 l/min
Length / Diameter:	82 / Ø 50 mm
Weight:	0,5 kg
Connection thread:	G 1/4" IG

# RA16-175



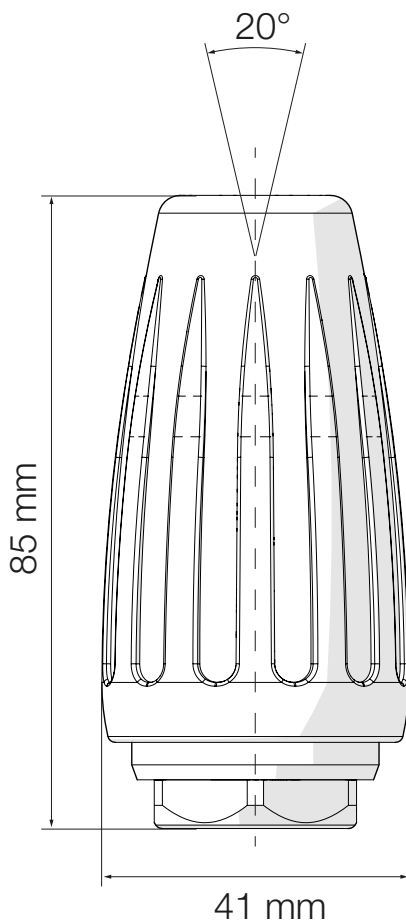
**CarWash**

**255 bar**

## Special features

- Flexible mounting direction

## More info



## Technical data

Pressure max.:	255 bar
Spray angle:	24°
Temperature max.:	90 °C
Bearing:	Ceramics
Nozzle:	Ceramics
Nozzle size:	020-120
Flow rate max.:	44 l/min
Length / Diameter:	82 / Ø 50 mm
Weight:	0,5 kg
Connection thread:	G 1/4" IG